

THIS DRAWING IS UNPUBLISHED.

RELEASED FOR PUBLICATION

20

© COPYRIGHT 20 BY -

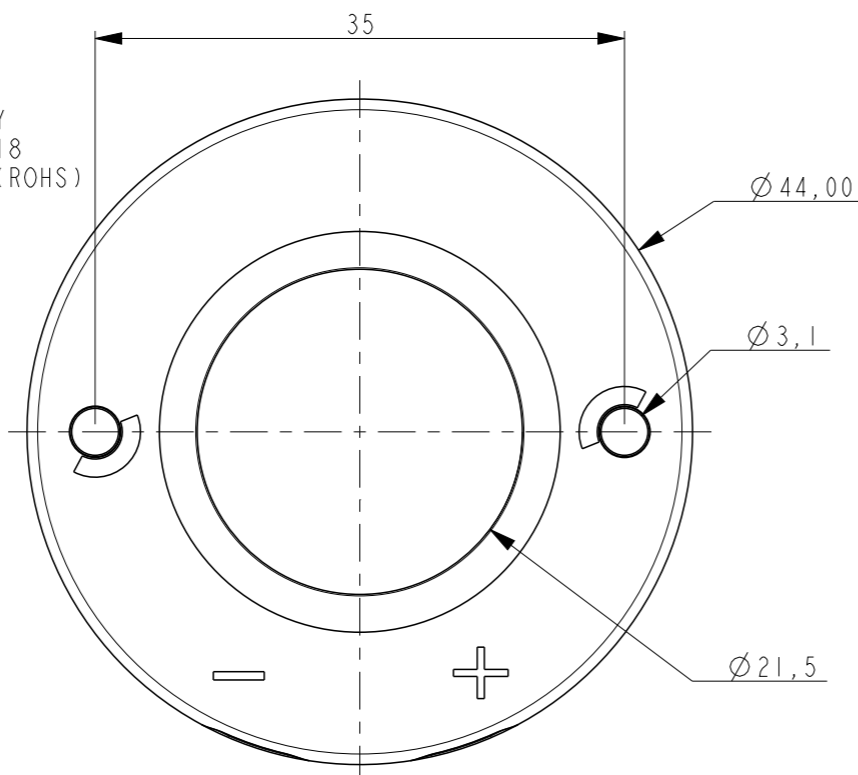
ALL RIGHTS RESERVED.

REVISIONS

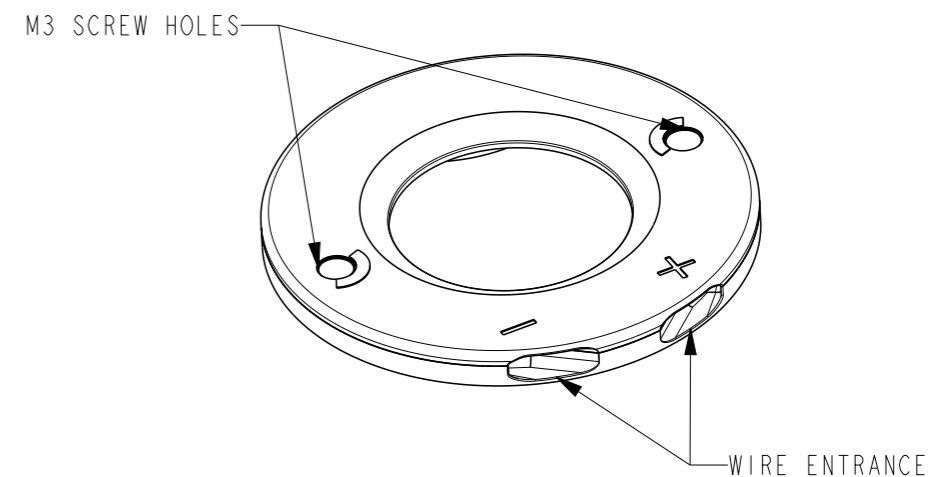
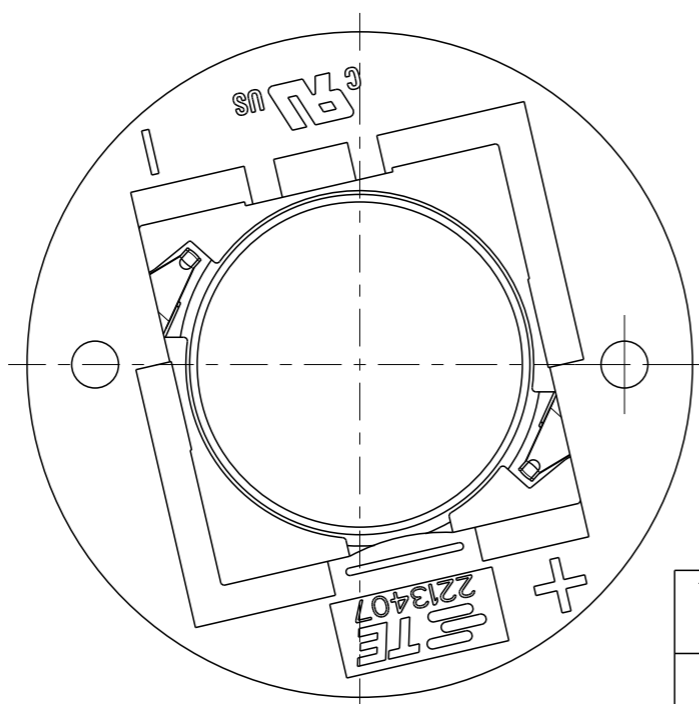
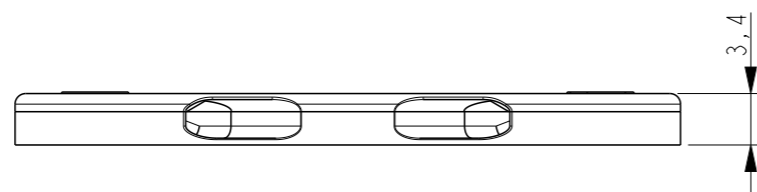
P	LTR	DESCRIPTION	DATE	DWN	APVD
	A	RELEASED PER ECR-14-006473	01MAY2014	AB	OL
	A1	UPDATED PER ECR-14-006733	07MAY2014	AB	OL

NOTES:

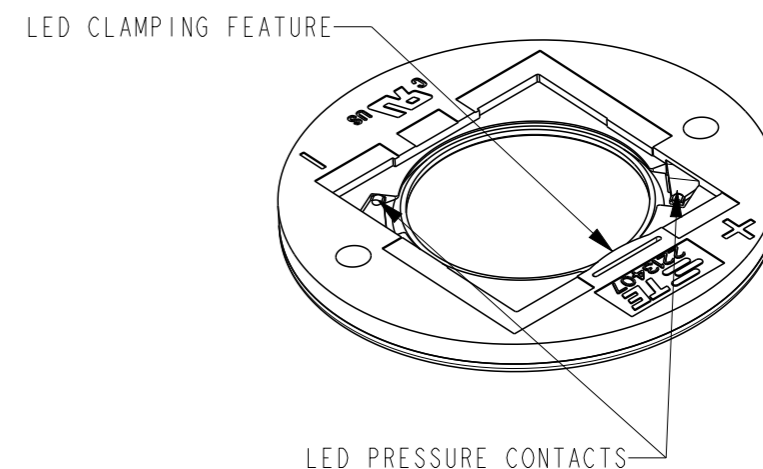
1. MATERIALS:  
HOUSING: GLASS FILLED PBT  
COLOR : NATURAL/WHITE  
CONTACTS: SILVER PLATED COPPER ALLOY
2. FOR SOLID AND STRANDED WIRE AWG 22-18
3. COMPLIES WITH DIRECTIVE 2002/95/EC (ROHS)
4. M3 SCREW TO BE USED FOR MOUNTING



2213407-1 AS SHOWN  
LUMAWISE LED HOLDER Z50 LOW PROFILE



SCALE 3:2



LUMAWISE LED HOLDER Z50 STANDARD PROFILE 2424	2213407-2
LUMAWISE LED HOLDER Z50 LOW PROFILE 2424	2213407-1
DESCRIPTION	PART NO

THIS DRAWING IS A CONTROLLED DOCUMENT.

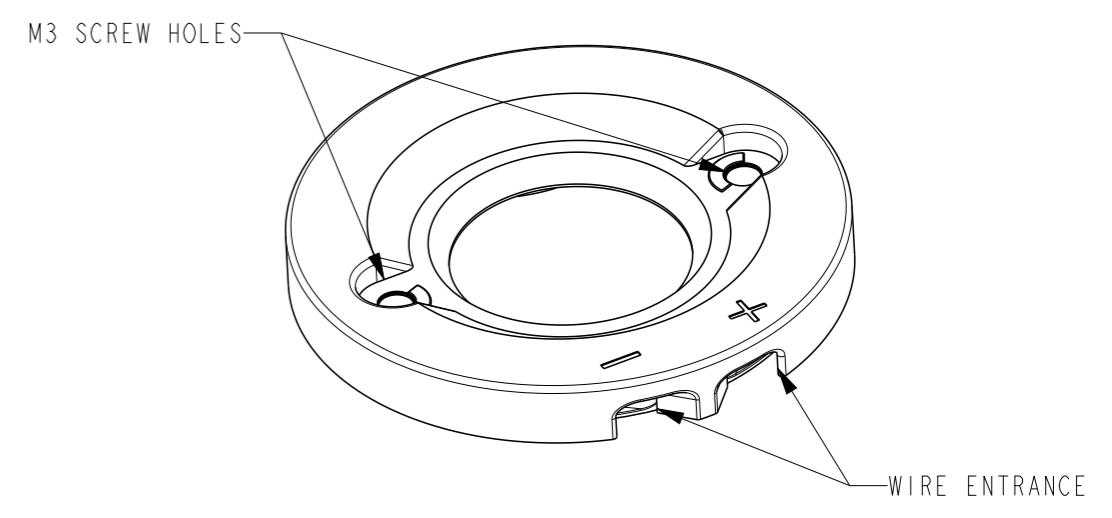
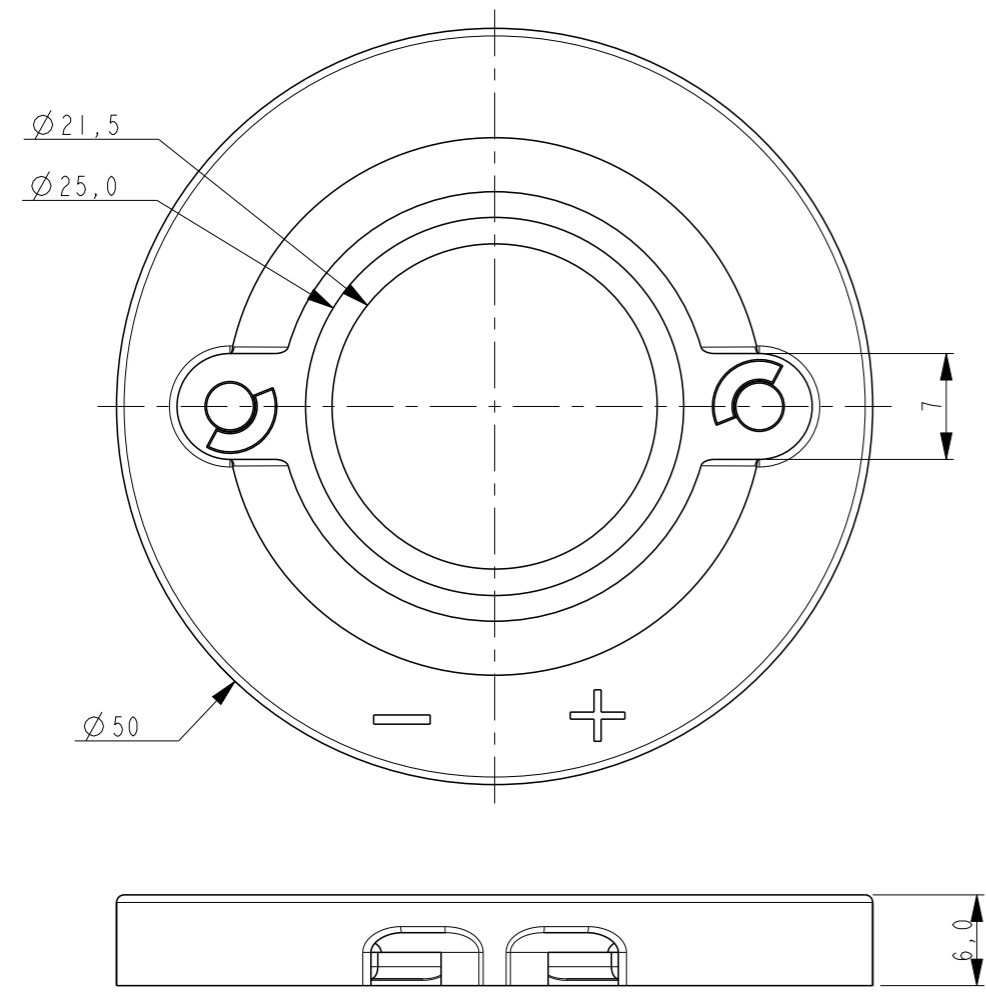
DIMENSIONS:	TOLERANCES UNLESS OTHERWISE SPECIFIED:
mm	
	0 PLC ±-
	1 PLC ±-
	2 PLC ±-
	3 PLC ±-
	4 PLC ±-
	ANGLES ±-
MATERIAL	FINISH
-	-
-	-

DWN	P. POORTER	18NOV2013
CHK	O. LEIJNSE	19NOV2013
APVD	O. LEIJNSE	-
PRODUCT SPEC	108-133008	
APPLICATION SPEC	114-32048	
WEIGHT	-	
CUSTOMER DRAWING		

<b>STE</b> TE Connectivity			
NAME LUMAWISE LED HOLDER Z50 2424			
SIZE	CAGE CODE	DRAWING NO	RESTRICTED TO
A3	-	C-2213407	-
SCALE 2:1		SHEET 1 OF 3	REV A1

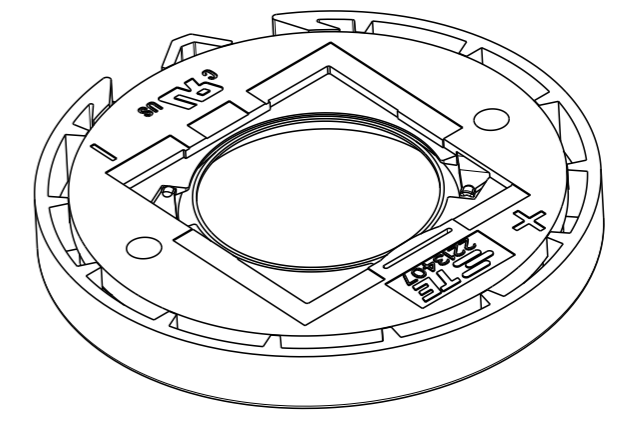
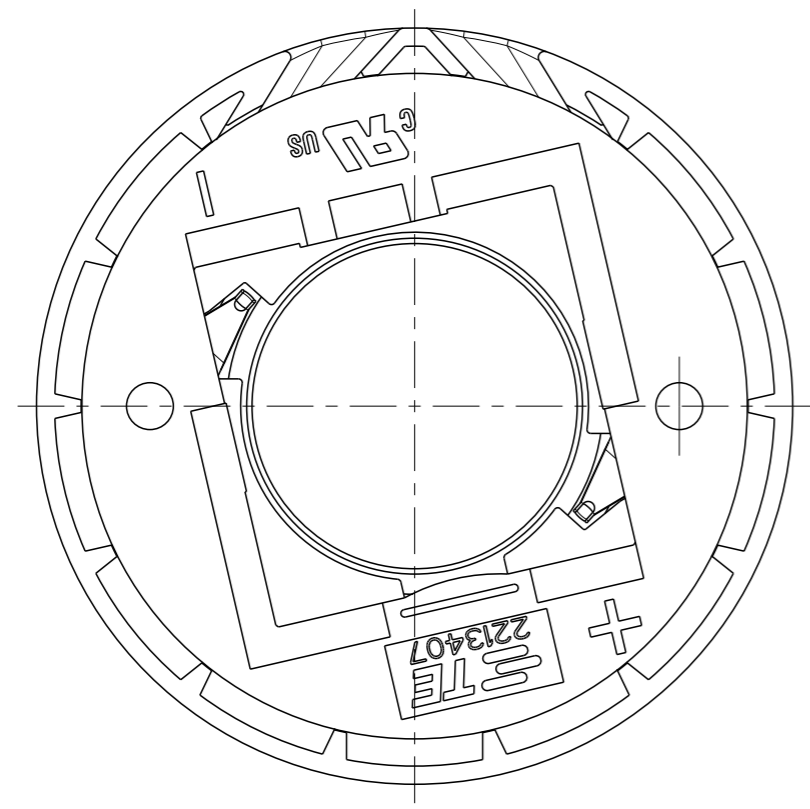
THIS DRAWING IS UNPUBLISHED. RELEASED FOR PUBLICATION 20  
 © COPYRIGHT 20 BY - ALL RIGHTS RESERVED.


REVISIONS					
P	LTR	DESCRIPTION	DATE	DWN	APVD
	-	SEE SHEET 1	-	-	-



2213407-2 AS SHOWN  
 LUMAWISE LED HOLDER Z50 STANDARD PROFILE

SCALE 3:2



THIS DRAWING IS A CONTROLLED DOCUMENT.		DWN P. POORTER 18NOV2013	 TE Connectivity			
DIMENSIONS: mm		CHK O. LEIJNSE 19NOV2013				
TOLERANCES UNLESS OTHERWISE SPECIFIED:		APVD O. LEIJNSE	NAME LUMAWISE LED HOLDER Z50 2424			
0 PLC ±- 1 PLC ±- 2 PLC ±- 3 PLC ±- 4 PLC ±- ANGLES ±-		PRODUCT SPEC 108-133008	SIZE A3	CAGE CODE -	DRAWING NO C-2213407	RESTRICTED TO -
MATERIAL -		FINISH -	WEIGHT -		SCALE 2:1	
		CUSTOMER DRAWING		SHEET 2 OF 3		REV A1

4

3

2

1

THIS DRAWING IS UNPUBLISHED.

RELEASED FOR PUBLICATION

20

© COPYRIGHT 20 BY -

ALL RIGHTS RESERVED.

REVISIONS

P	LTR	DESCRIPTION	DATE	DWN	APVD
	-	SEE SHEET 1	-	-	-

THE SKETCH BELOW IS SHOWING THE NOMINAL LED COB DIMENSIONS TO MATCH WITH THE Z50 LED HOLDER 2424 FOR TECHNICAL DETAILS ABOUT A PROPER MATCH WITH A SPECIFIC LED COB ARRAY PLEASE CONTACT A REPRESENTATIVE AT TE-CONNECTIVITY

SCALE 4:1

THIS DRAWING IS A CONTROLLED DOCUMENT.

DWN P. POORTER 18NOV2013

CHK O. LEIJNSE 19NOV2013

APVD O. LEIJNSE -

PRODUCT SPEC

108-133008

APPLICATION SPEC

114-32048

WEIGHT -

CUSTOMER DRAWING

**STE**

TE Connectivity

LUMAWISE LED HOLDER Z50 2424

SIZE	CAGE CODE	DRAWING NO	RESTRICTED TO
A3	-	C-2213407	-

SCALE	SHEET	OF	REV
2:1	3	3	A1

DIMENSIONS:

mm

TOLERANCES UNLESS OTHERWISE SPECIFIED:

0 PLC	±-
1 PLC	±-
2 PLC	±-
3 PLC	±-
4 PLC	±-
ANGLES	±-

MATERIAL

-

FINISH

-

1470-19 (3/13)