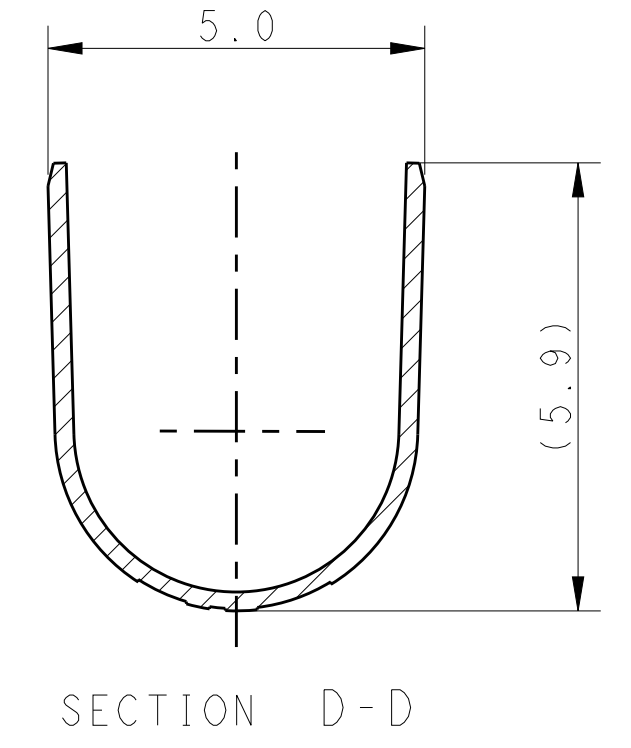
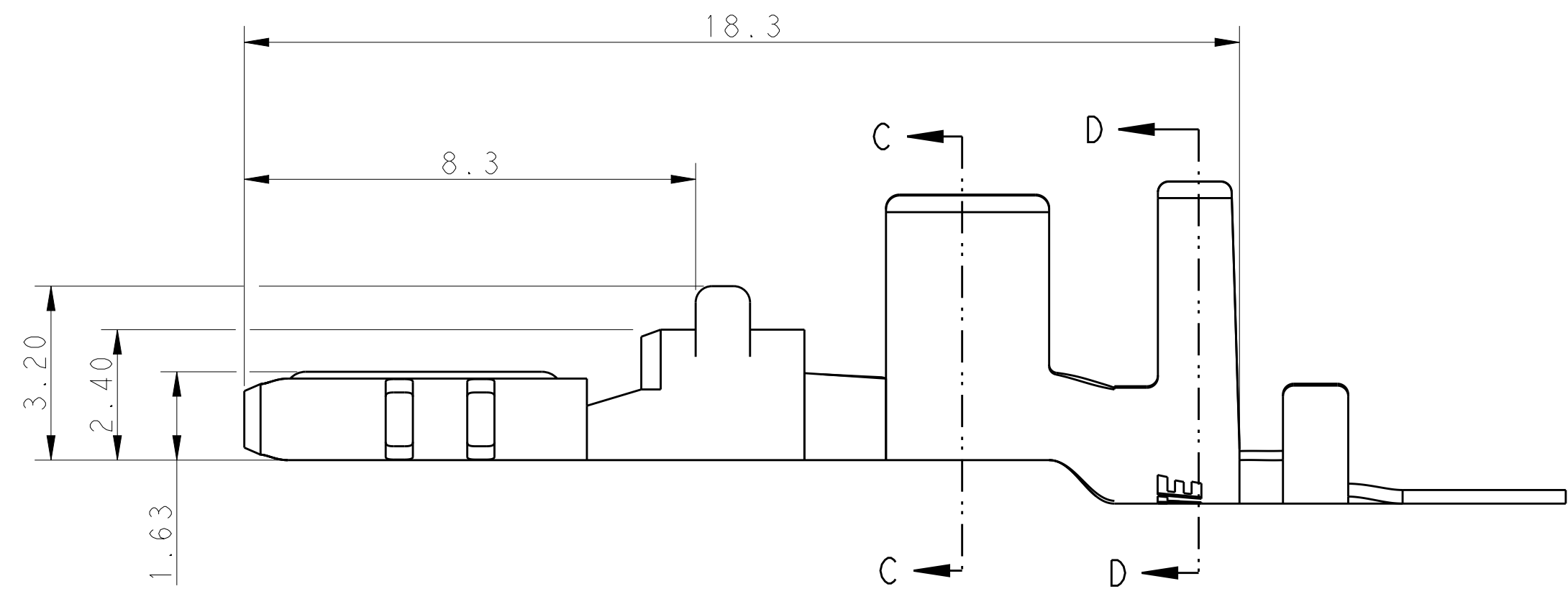
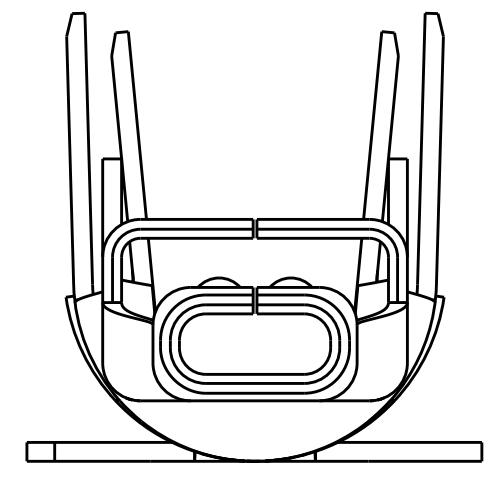
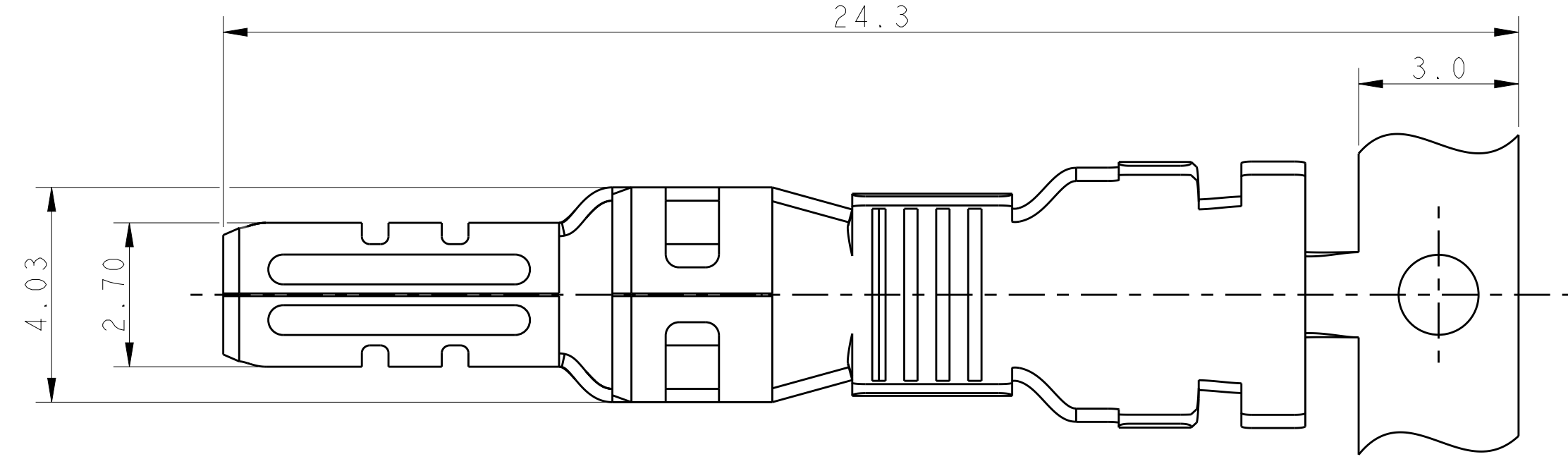
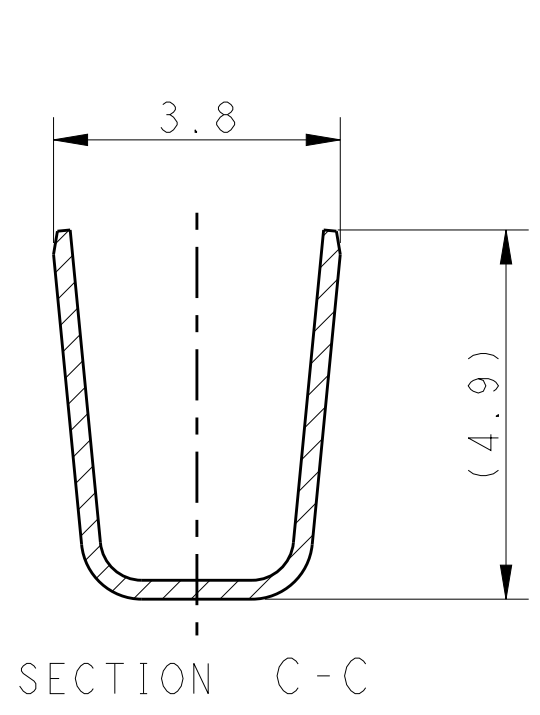
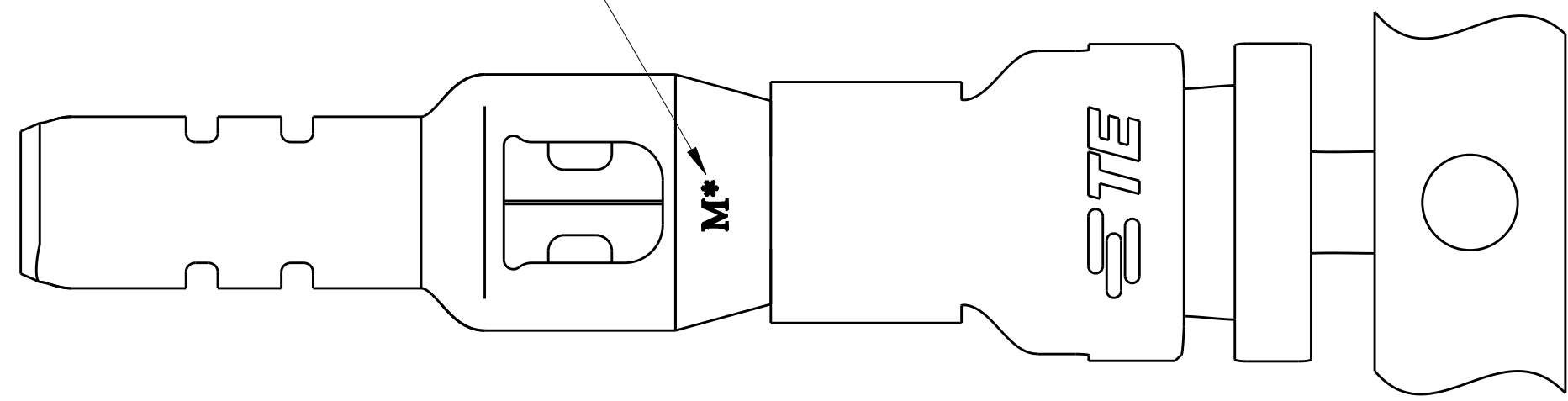


THIS DRAWING IS UNPUBLISHED. RELEASED FOR PUBLICATION 20  
 © COPYRIGHT 20 BY - ALL RIGHTS RESERVED.

LOC	DIST	REVISIONS			
P	LTR	DESCRIPTION	DATE	DWN	APVD
ES	00	A	RELEASE DRAWING	04FEB2013	T.W YH.M



MATERIAL MARK



HIGH(150°C)	M0	1971780-2
STANDARD(105°C)	M4	1971780-1
TEMP. RATING	MATERIAL MARK	PART NO

NOTE:

1. MATERIAL: COPPER ALLOY, PRE TIN PLATING
2. PRODUCT SPEC: 108-106118
3. APPLICATION SPEC: 114-106118
4. APPLICABLE MATED CAP HOUSING P/N:  
 \*-1971771-\*/\*-1971774-\*/\*-1971874-\*/  
 \*-1971772-\*/\*-1971775-\*/\*-1971875-\*
5. APPLICABLE WIRE: 12AWG
6. APPLICABLE INSULATION DIAMETER: 3.85~4.25mm

1. This product has not completed validation testing.

THIS DRAWING IS A CONTROLLED DOCUMENT.		DWN TOMMY WU 11JUL2011	<b>STE</b> TE Connectivity	
DIMENSIONS: mm		CHK HAPYE WU 11JUL2011		
TOLERANCES UNLESS OTHERWISE SPECIFIED:		APVD YUHONG MAO 11JUL2011	NAME	
0 PLC ±		PRODUCT SPEC	TAB CONTACT POWER TRIPLE LOCK	
1 PLC ±0.5		APPLICATION SPEC	SIZE	CAGE CODE
2 PLC ±0.30		114-106118	A200779	C-1971780
3 PLC ±		WEIGHT	RESTRICTED TO	
4 PLC ±		-		
ANGLES ±		Customer Drawing	SCALE	SHEET 1 OF 1
FINISH				REV A