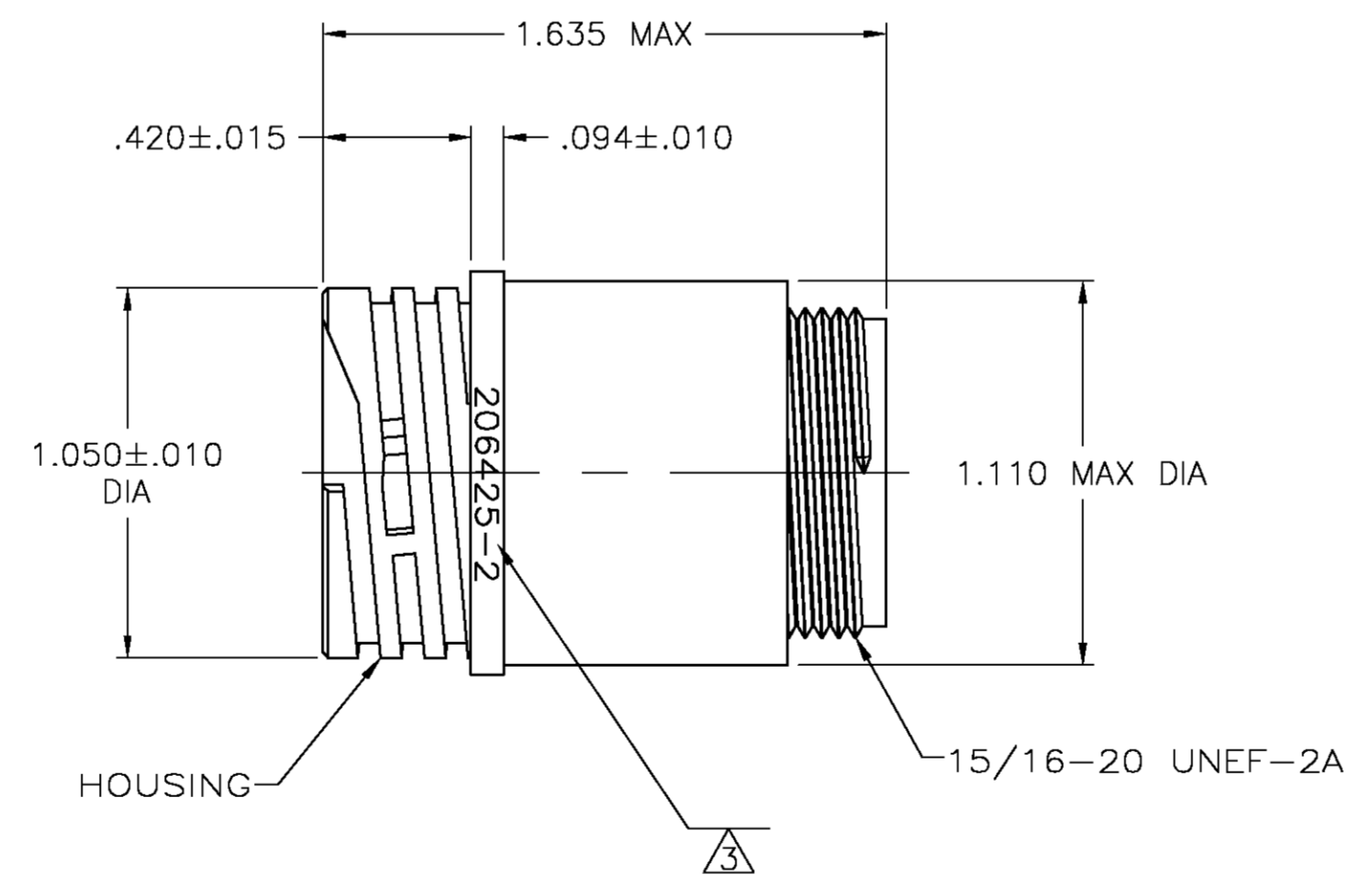
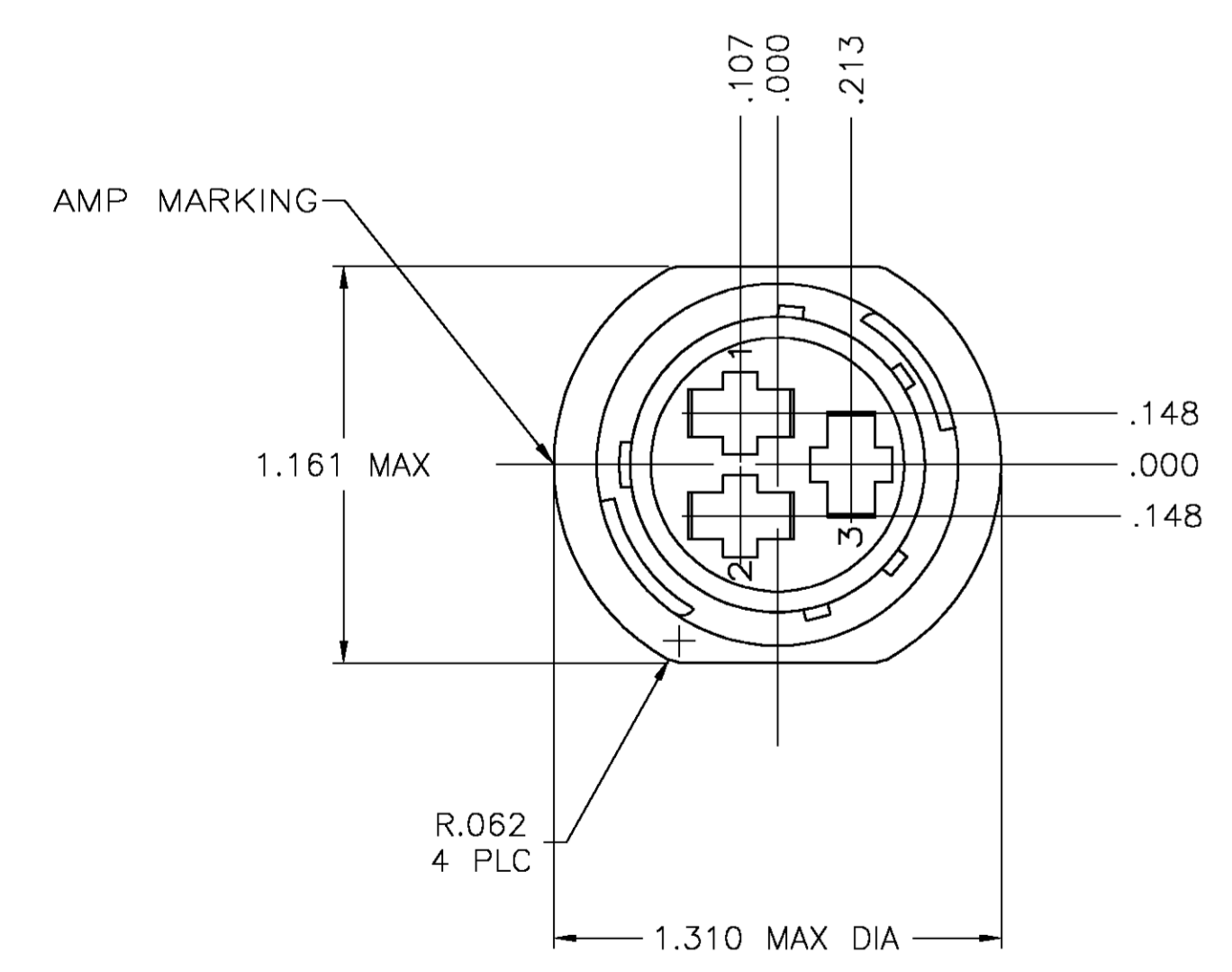


RECOMMENDED PANEL CUTOUT

DETAIL A



DETAIL B

- NOTES:
- CAVITY IDENTIFICATION ON FRONT AND REAR FACE.
 - WILL ACCEPT (3) TYPE XII SOCKET CONTACTS.
- △ PART NUMBER AND "AMP" INSIGNIA CAN BE LOCATED ON ANY FLANGE EDGE.

4-40 THREADED INSERTS	NO	A	206425-5
.150±.003	YES	A	206425-3
.150±.003	NO	B	206425-2
.150±.003	NO	A	206425-1
C	PERIPHERAL SEAL	SEE DETAIL	PART NUMBER

THIS DRAWING IS A CONTROLLED DOCUMENT. DWN M. BINNER 06/01/94
 CHK R. STONE 6-23-94
 APVD -

TYCO Electronics Tyco Electronics Corporation
 Harrisburg, PA 17105

PRODUCT SPEC 108-10024
 APPLICATION SPEC -

SIZE CAGE CODE DRAWING NO RESTRICTED TO
 A1 00779 C=206425 -

MATERIAL HOUSING: NYLON, BLACK SEAL: ELASTOMER, GREY FINISH - WEIGHT -
 CUSTOMER DRAWING SCALE 2:1 SHEET 1 OF 1 REV J