

SINGLE PORT

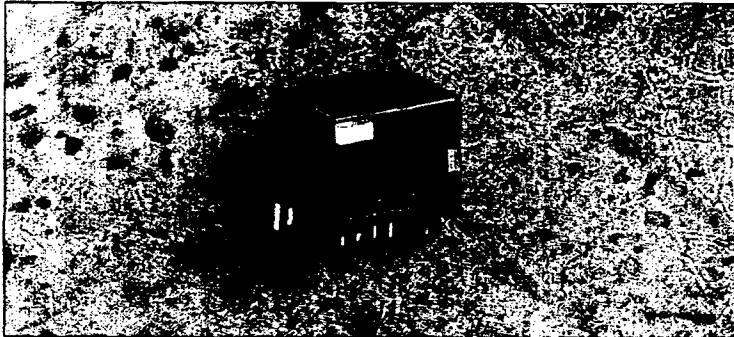
RJHS

RJ  
vista™

HIGH SPEED RJ-45 MODULAR JACK

# Amphenol®

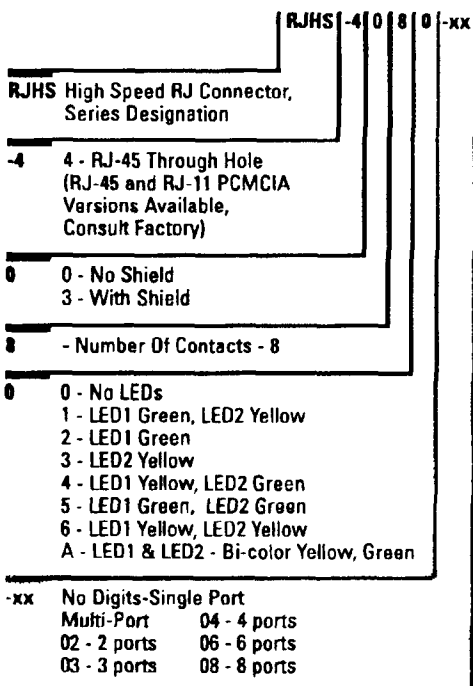
Amphenol Canada Corp. An ISO 9001 Company



This product is protected under U.S. Patent #4,978,317

RJ vista™ is a family of RJ-45 Modular Jack Connectors with built-in LEDs, designed for Category 5 performance. This product is ideal for LAN applications such as adapter cards and routers. Shielded and non-shielded versions are available, with a variety of LED colors, and ports.

## HOW TO ORDER



For other colors, consult factory.

## TECHNICAL SPECIFICATIONS:

### Materials:

Shield: Copper Alloy; Tin/Lead Plated

Contacts: Phosphor Bronze; 30µ inches [ 0.76 microns] Gold over Nickel

Insert: Thermoplastic (Complies with UL 94V-0)

### Electrical:

Contact Resistance: 10 milliohms maximum

Insulation Resistance: 500 megohms minimum

Current Rating: 1.5 Amps

Voltage Rating: 125 Volts AC

Dielectric Withstanding Voltage: 1000 VAC, RMS, 60 Hz, 1 min.

### LED Ratings:

Forward DC Current: 7 mA

Forward Voltage: 2.1 Volts Typical

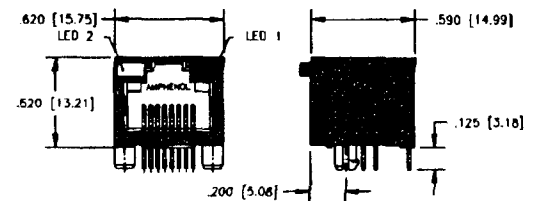
Reverse Voltage: 5 Volts minimum

Power Dissipation: Green = 24 mW; Yellow = 36 mW

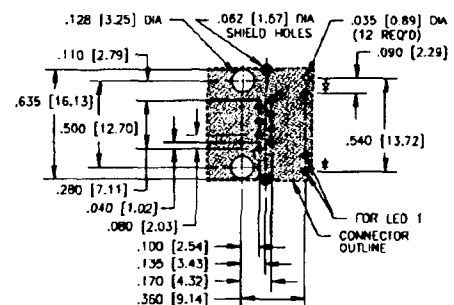
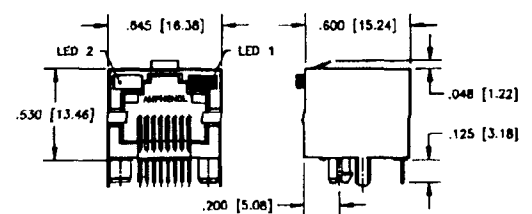
UL File #: E135615

CSA File #: LR68598

## NON-SHIELDED



## SHIELDED



P.C.B. LAYOUT  
(COMPONENT SIDE OF BOARD)