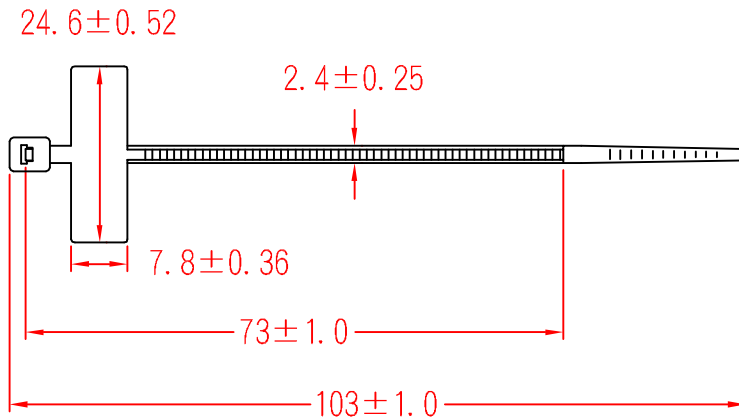
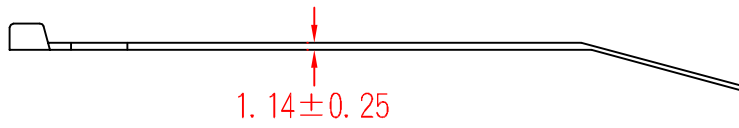




MCV-100



MATERIAL UL 94V-2
 NYLON 66

ITEM NO.
 MCV-100

SCALE

FINISH

NAME

MARKER TIE



(. .)

TOLERANCE
AS FIGURE



02-18-2006
DATE

REVISIONS K002

R.NO.