

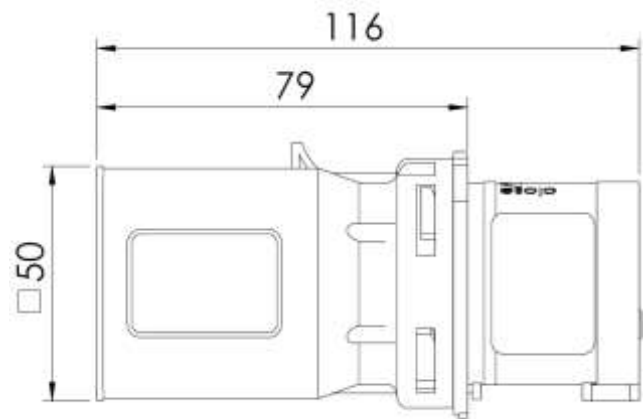
**Datasheet**

# Industrial-Domestic Adaptor (IEC 60309 Plug / Type E - French Socket-Outlet)

Stock No:  
2144094



Image for reference only



Dimensions in mm

## Configuration

Inlet/Plug	IEC 60309 Plug 16A 2P+T 230V
Outlet / Socket-Outlet	Type E - French Socket-Outlet 16A 2P+T 230V

## Technical Characteristics

Rated Current:	16
Rated Voltage	230
Poles	2P+T
IP Protection Degree	IP20 (IEC / EN 60529)
Glow Wire Test	850°C live parts supports /650°C other parts
Material	Housing: PA6/ABS
Product Standard	IEC/EN 60309-1, IEC/EN 60309-2 NF C 61-314 EN 50250
Note	For Temporary Use Only