

4

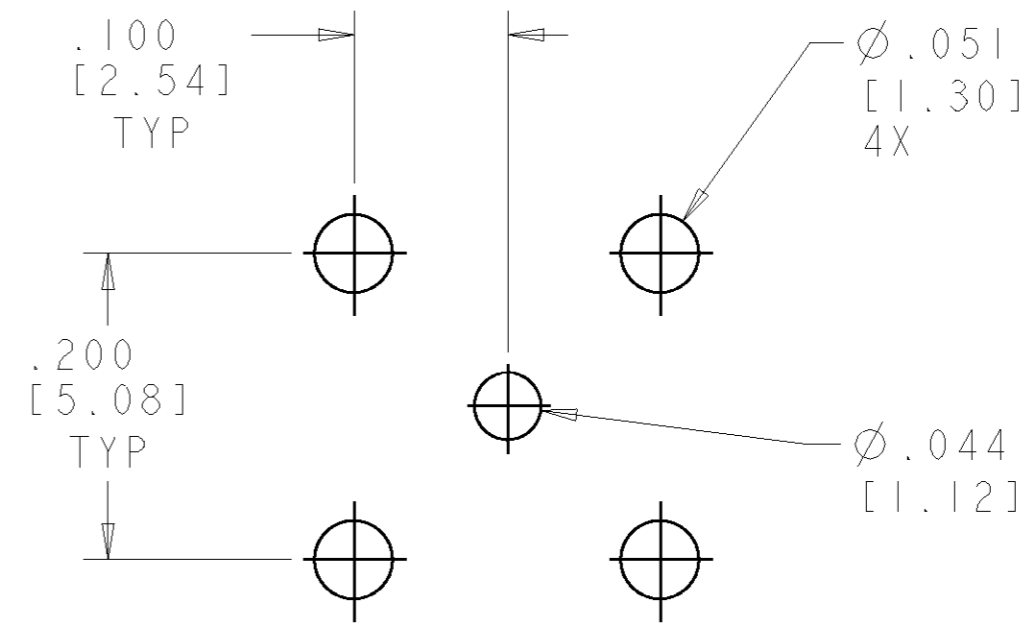
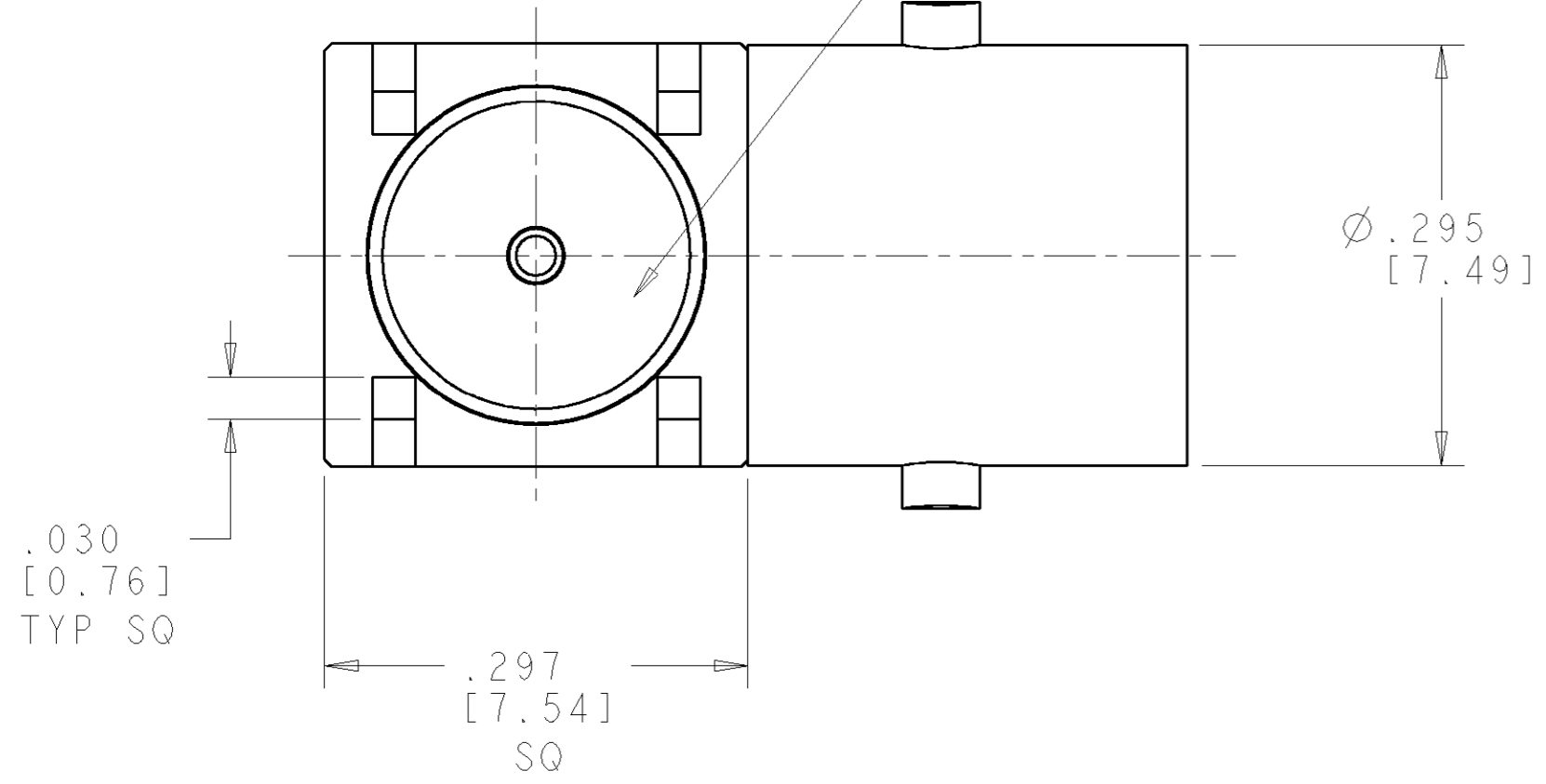
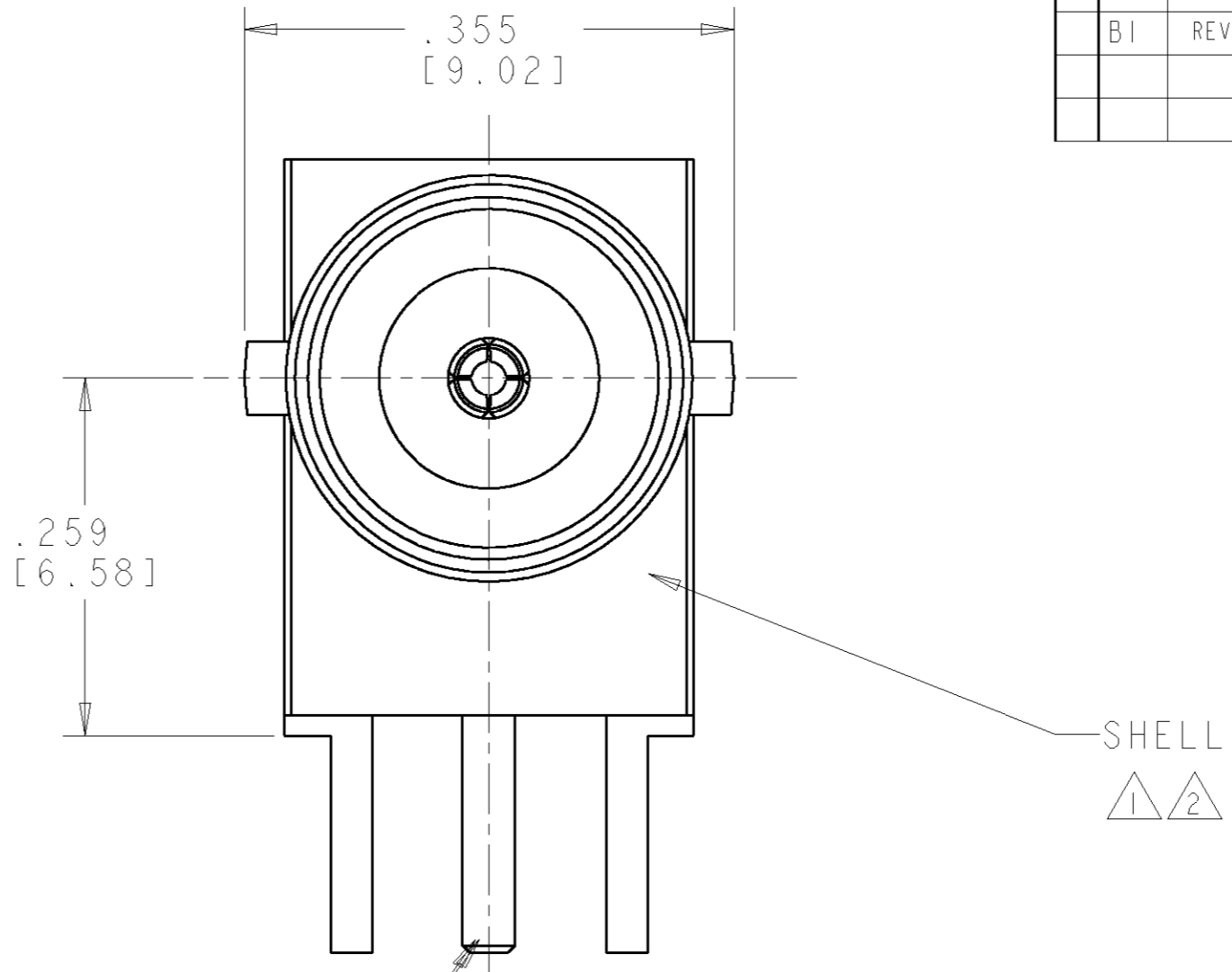
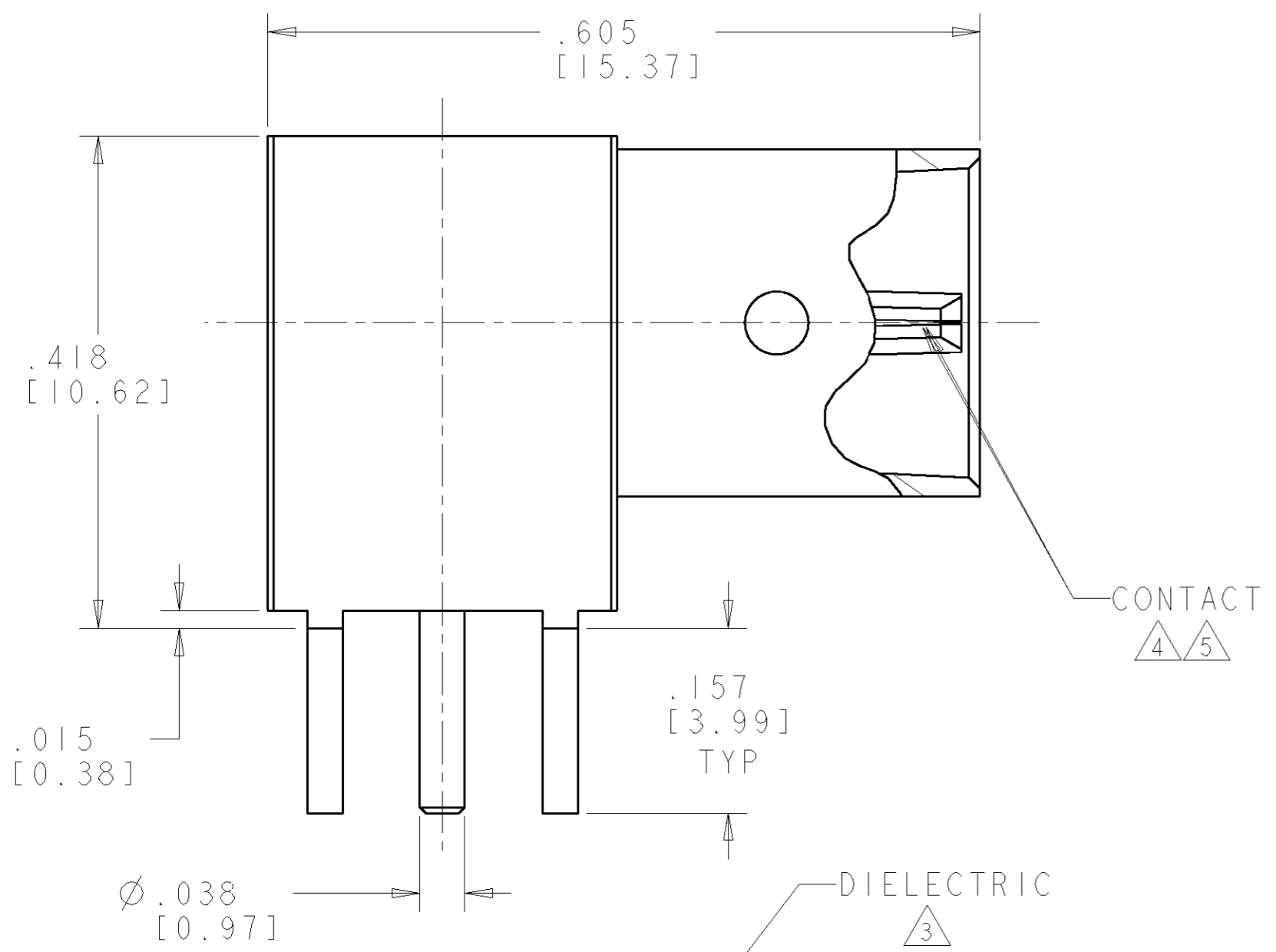
3

2

1

THIS DRAWING IS UNPUBLISHED. RELEASED FOR PUBLICATION 20  
 © COPYRIGHT 20 BY TYCO ELECTRONICS CORPORATION. ALL RIGHTS RESERVED.

LOC	DIST	REVISIONS					
		P	LTR	DESCRIPTION	DATE	DWN	APVD
AJ	16	B		REV PER 0S14-0345-04	09AUG2004	KW	KW
		BI		REVISED PER ECO-06-011232	19MAY2006	KS	KW



RECOMMENDED PCB LAYOUT  
 TOLERANCE:  $\pm$ .003 [0.08]

- ① BRASS PER ASTM-B-16
- ② NICKEL PLATE PER QQ-N-290
- ③ PTFE PER ASTM-D-1710
- ④ PHOSPHOR BRONZE PER ASTM-B-139
- ⑤ GOLD PLATE PER ASTM-B488
- 6 MATING CABLE PLUGS MUST BE STRAIN RELIEVED TO PREVENT DAMAGE TO PCB JACK CAUSED BY SIDE LOAD

1274572-1  
 PART NUMBER

THIS DRAWING IS A CONTROLLED DOCUMENT FOR TYCO ELECTRONICS CORPORATION. IT IS SUBJECT TO CHANGE AND THE CONTROLLING ENGINEERING ORGANIZATION SHOULD BE CONTACTED FOR THE LATEST REVISION.		DWN K. WEIDNER 05MAY2003	Tyco Electronics Harrisburg, PA 17105-3608	
DIMENSIONS: INCHES [mm]		CHK G. MICHAEL 08JAN2004	NAME JACK, R/A, PCB, MINI BNC	
TOLERANCES UNLESS OTHERWISE SPECIFIED: 0 PLC $\pm$ 1 PLC $\pm$ 2 PLC $\pm$ 3 PLC $\pm$ .005 [.13] 4 PLC $\pm$ ANGLES $\pm$ 2'		APVD K. WEIDNER 08JAN2004	PRODUCT SPEC 108-2159	
MATERIAL		FINISH	APPLICATION SPEC	RESTRICTED TO
			WEIGHT	SIZE CAGE CODE DRAWING NO
				A2 00779 C-1274572
			CUSTOMER DRAWING	SCALE 8:1 SHEET 1 OF 1 REV B1