



ENGLISH

Datasheet

ABS Instrument Case, Grey, 230 x 220 x 70mm

RS Stock number 503-622



APPLICATIONS

There are now two types of IDAS Case available. The modem case is ideal for desktop applications. Whilst the instrument case, with its tilt and swivel carry handle, is an ideal solution for portable equipment.

CONSTRUCTION

IDAS case mouldings are manufactured in high quality ABS material. The construction consists of a top, base and a series of spacer mouldings which are used to increase the unit height in increments of 35mm.

Four aluminium pillars are bonded to the top cover. The spacer and base mouldings are positioned on these and the whole assembly is screwed together using fixings through the base and into tapped holes in the pillars.

Provision is made in the mouldings for two alternative mounting positions for the front panels. The first position is designed to locate an alternative 3mm panel. The second position is ideal for mounting 1,6mm dummy panels.

Instrument case versions also include a tilt and swivel carry handle. This can be set at 30° intervals.

MODEM CASES

Contents of kit

Description	Qty	Material/Finish
Cover mouldings	2	ABS, light grey BS4800 00A01 ★
Tilt and swivel handle		ABS - mid grey BS4800 00A5 ★
Cross bar		Anodised aluminium
Front panels	2	1,6mm anodised aluminium
Spacers (where applicable)	2 or 4	
Self-adhesive feet	4	
Case screws	4	
PCB mounting clips	4	

ABS Material specification ★

Temp. range	-40°C to +80°C
Flame class rating	UL94-HB

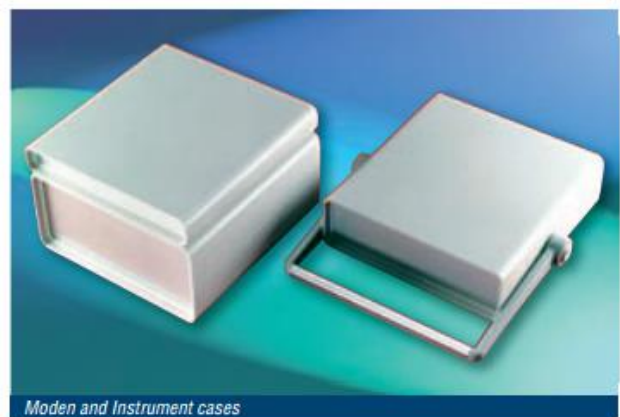
INSTRUMENT CASES

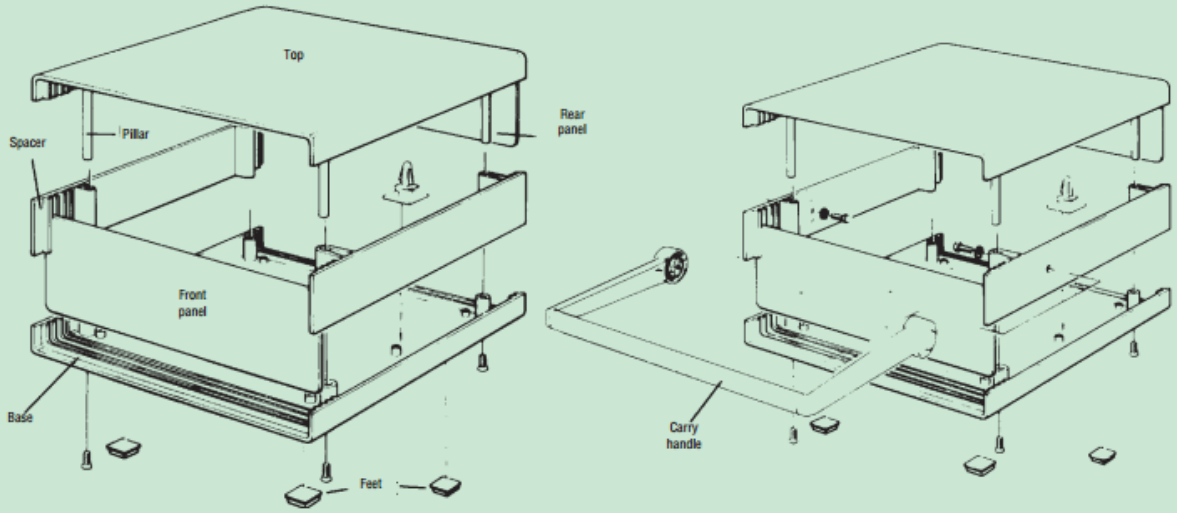
Contents of kit

As Modem cases but including tilt and swivel carry handle.

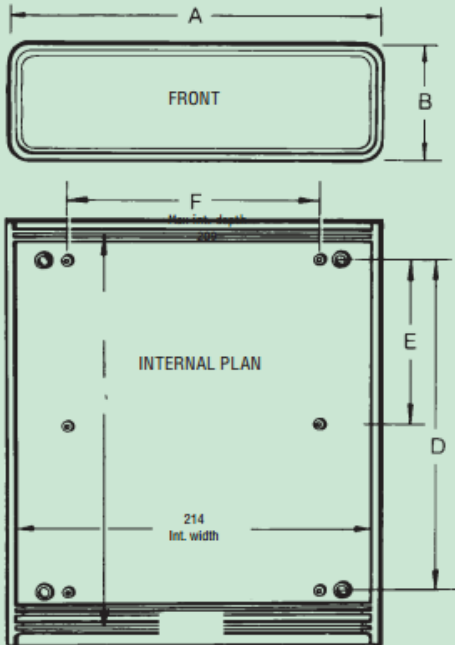
Ordering information

Size	Order code	Order code
	Modem case	Instrument case
1	RS 503-616	-
2	RS 503-622	75-201088
3	RS 503-638	75-201089

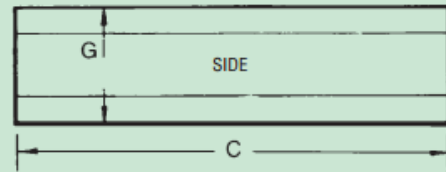




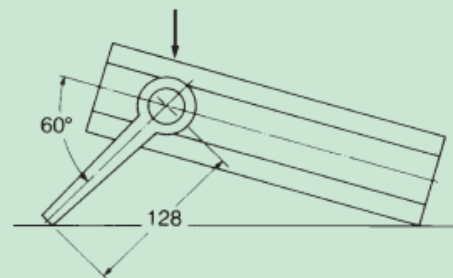
**IDAS MODEM CASES
DIMENSIONAL DETAILS (BOTH TYPES)**



IDAS INSTRUMENT CASE



**MAXIMUM LOADING OF HANDLE
F max = 650N**



Dimensions

Size	A	B	C	D	E	F	G
1	220,0	35,0	230,0	176,0	88,0	160,0	32
2	220,0	70,0	230,0	176,0	88,0	160,0	67
3	220,0	105,0	230,0	176,0	88,0	160,0	102