

| | | | | |
|---------------------|-----------------------------|-------------------------------|---------------------------|-----------------|
| APPLICABLE STANDARD | | ANSI/TIA/EIA-568-B.2.10 CAT6a | | |
| RATING | OPERATING TEMPERATURE RANGE | ① -25 °C TO 60 °C | STORAGE TEMPERATURE RANGE | -25 °C TO 60 °C |
| | VOLTAGE | 125 V AC | OPERATING HUMIDITY RANGE | 95 % MAX |
| | CURRENT | 1 A | APPLICABLE CABLE | — |

SPECIFICATIONS

| ITEM | TEST METHOD | REQUIREMENTS | QT | AT |
|------|-------------|--------------|----|----|
|------|-------------|--------------|----|----|

CONSTRUCTION

| | | | | |
|---------------------|---------------------------------------|-----------------------|---|---|
| GENERAL EXAMINATION | VISUALLY AND BY MEASURING INSTRUMENT. | ACCORDING TO DRAWING. | X | X |
| MARKING | CONFIRMED VISUALLY. | | X | X |

- ① THE OPERATION TEMPERATURE INCLUDES THE TEMPERATURE RISE BY CURRENT CARRYING.
 ② TEMPERATURE RANGE FOR A CONNECTOR UNMATED.
 ③ USE UNDER THE CONDITION RECOMMENDED BY A CABLE MANUFACTURE.

| COUNT | DESCRIPTION OF REVISIONS | DESIGNED | CHECKED | DATE |
|-------|--------------------------|----------|---------|------|
| △ | | | | |

| | | | |
|--------|----------|-----------|----------|
| REMARK | APPROVED | YH. ENAMI | 09.06.02 |
| | CHECKED | YH. ENAMI | 09.06.02 |
| | DESIGNED | MT. ITANO | 09.06.02 |
| | DRAWN | MT. ITANO | 09.06.02 |

Unless otherwise specified, refer to JIS C 5402.

Note QT:Qualification Test AT:Assurance Test X:Applicable Test

DRAWING NO. ELC4-126868-02

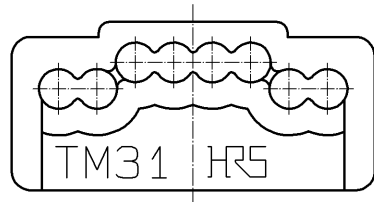
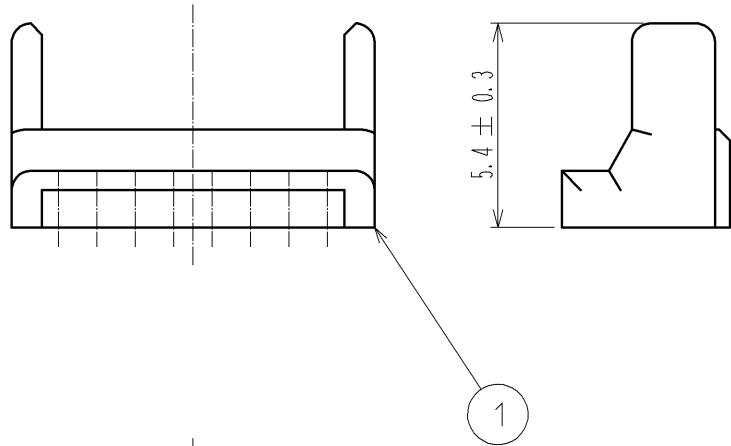
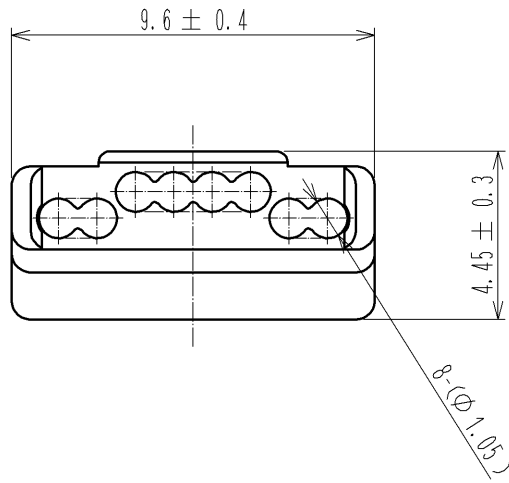
| | | | | |
|------------|---------------------------|----------|-------------------|-------|
| HRS | SPECIFICATION SHEET | PART NO. | TM31P-TM-88P (02) | |
| | HIROSE ELECTRIC CO., LTD. | CODE NO. | CL222-4626-7-02 | △ 1/1 |

2009/06/02 20:05:04 MT. ITANO

A
B
C
D
E

A
B
C
D
E

1 2 3 4



| 1 | POLYCARBONATE | (YELLOW)UL94V-2 | | | | | | |
|----------------------------------|---------------|----------------------|-----------|--------------------------|------------------|------------------|---------|------|
| NO. | MATERIAL | FINISH . REMARKS | NO. | MATERIAL | FINISH . REMARKS | | | |
| UNITS mm | | SCALE 5 : 1 | COUNT | DESCRIPTION OF REVISIONS | | DESIGNED | CHECKED | DATE |
| HIROSE ELECTRIC CO., LTD. | | APPROVED : YH. ENAMI | 09.06.02 | DRAWING NO. | | EDC3-126868-02 | | |
| | | CHECKED : YH. ENAMI | 09.06.02 | PART NO. | | TM31P-TM-88P(02) | | |
| | | DESIGNED : MT. ITANO | 09.06.02 | CODE NO. | | CL222-4626-7-02 | | |
| | | DRAWN : MT. ITANO | 09.06.02 | | | 1/1 | | |

F