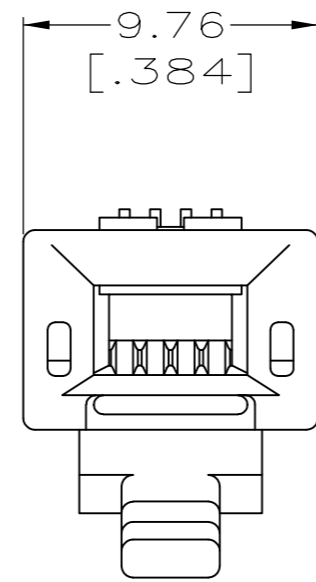
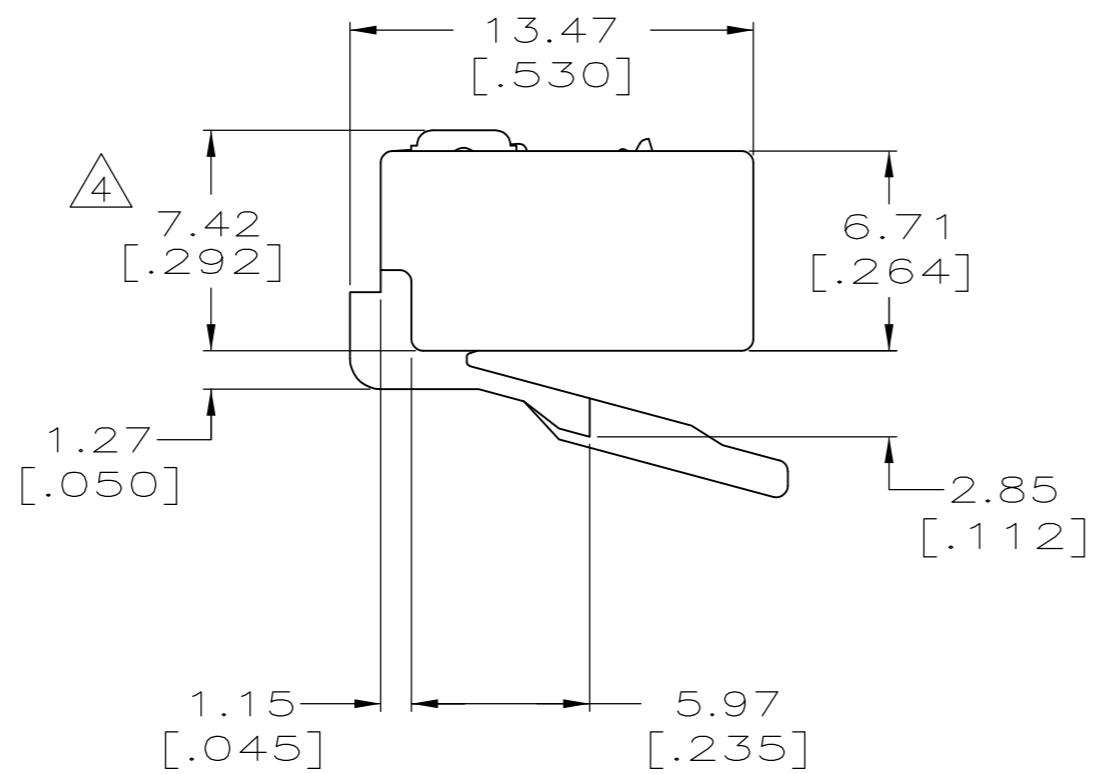
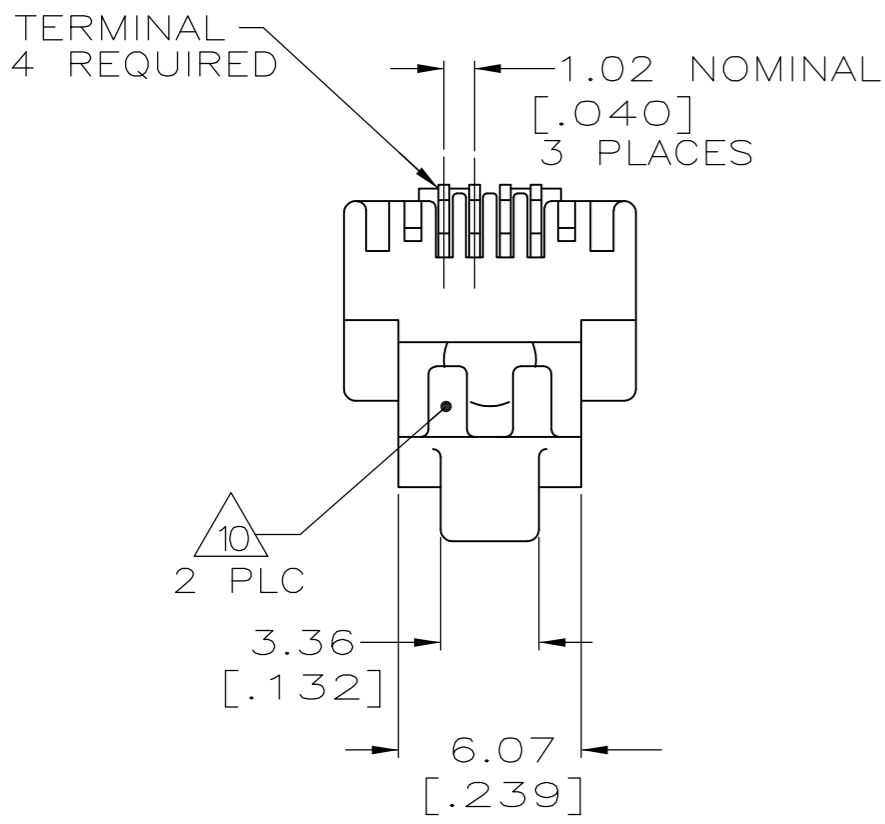
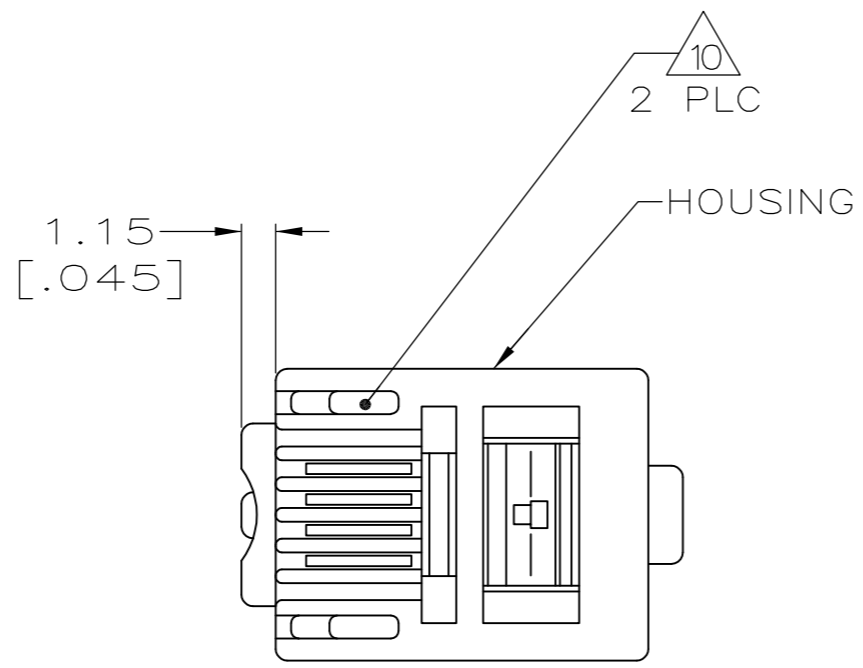


THIS DRAWING IS UNPUBLISHED. RELEASED FOR PUBLICATION
 © COPYRIGHT - By - ALL RIGHTS RESERVED.

LOC	DIST	REVISIONS					
HM	00	P	LTR	DESCRIPTION	DATE	DWN	APVD
		AA		REV PER ECO-14-004910	01APR14	GG	JG



- ① DIMENSIONS ARE MAXIMUM UNLESS OTHERWISE SPECIFIED.
- ② MATERIAL: HOUSING—POLYCARBONATE,CLEAR. TERMINAL - .36 [.014] THICK PHOSPHOR BRONZE PLATED WITH .178μm[.000007] THICK GOLD IN LOCALIZED PLATE AREA, OVER .762μm[.000030] THICK PALLADIUM NICKEL IN LOCALIZED PLATE AREA OVER 2.54μm[.000100] THICK NICKEL ON ENTIRE CONTACT.
- 3. PLUG WILL ACCEPT 26 OR 28 AWG STRANDED WIRE HAVING A MAXIMUM INSULATION DIAMETER OF 0.99[.039] AND A MAXIMUM DIAMETER ROUND CABLE JACKET OF 2.54 [.100] OR OVAL CABLE JACKET OF 2.29 x 4.83[.090 x .190] MAXIMUM.
- ④ TERMINATED DIMENSION 6.15[.242] MAXIMUM.
- ⑤ 10 ASSEMBLIES PER PACKAGE.
- ⑥ 10,000 ASSEMBLES PER PACKAGE.
- ⑦ 1000 ASSEMBLIES PER PACKAGE.
- ⑧ 100 ASSEMBLIES PER PACKAGE.
- ⑩ REELED PRODUCT ON STRIP DOES NOT HAVE VOID CORING ILLUSTRATED ON THIS DRAWING.

SUPERSEDED BY 5-641335-7	⑤	6-641335-3
	⑧	5-641335-3
	⑦	5-641335-2
	⑥	5-641335-1
OBSELETE	REELED ⑩	641335-1
	PACKAGED	PART NO

THIS DRAWING IS A CONTROLLED DOCUMENT.		DWN	YTP/JTA	9-1-93	TE TE Connectivity																												
DIMENSIONS: mm [INCHES]		CHK	C.WHITT	9-15-93																													
TOLERANCES UNLESS OTHERWISE SPECIFIED:		APVD	J.TONEY	9-20-93																													
<table border="0"> <tr><td>0 PLC</td><td>±</td><td>-</td><td>①</td></tr> <tr><td>1 PLC</td><td>±</td><td>-</td><td></td></tr> <tr><td>2 PLC</td><td>±</td><td>-</td><td></td></tr> <tr><td>3 PLC</td><td>±</td><td>-</td><td></td></tr> <tr><td>4 PLC</td><td>±</td><td>-</td><td></td></tr> <tr><td>ANGLES</td><td>±</td><td>-</td><td></td></tr> <tr><td>FINISH</td><td>-</td><td>②</td><td></td></tr> </table>		0 PLC	±	-		①	1 PLC	±	-		2 PLC	±	-		3 PLC	±	-		4 PLC	±	-		ANGLES	±	-		FINISH	-	②		PRODUCT SPEC	108-1163	NAME
0 PLC	±	-	①																														
1 PLC	±	-																															
2 PLC	±	-																															
3 PLC	±	-																															
4 PLC	±	-																															
ANGLES	±	-																															
FINISH	-	②																															
MATERIAL	- ②	APPLICATION SPEC	114-6016	SIZE	A2																												
		WEIGHT	-	CAGE CODE	00779																												
		CUSTOMER DRAWING		DRAWING NO	C=641335																												
				RESTRICTED TO	-																												
				SCALE	4:1																												
				SHEET	1 of 1																												
				REV	AA																												