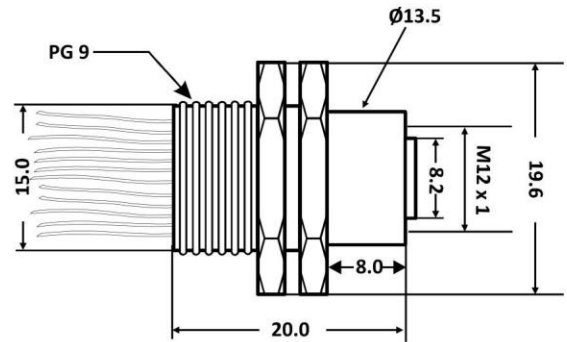


RS Pro M12 Panel Mount Female, 12W, 100mm, PG9

RS Stock No: 144-7616

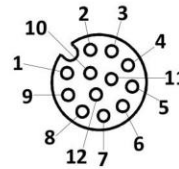


All dimensions are in mm.

General Specification

Rated Operational Voltage	30 V
Current Rating	1.5A
Insulation Resistance	>= 100 MΩ
Temperature Range	-25°C ... +75°C
Degree of Protection	IP67

Pin Assignment



Pin No.	Description
1	Brown
2	Blue
3	White
4	Green
5	Pink
6	Yellow
7	Black
8	Grey
9	Red
10	Violet
11	Grey / Pink
12	Red / Blue

Material Specification

Housing Material	Brass Ni Plated
Contact	Cu-Zn
Contact Plating	Gold Flash
Contact Carrier	Nylon 66
O-Ring	Neoprene
Pole	12
Clamp Nut	PG9

Cable Specification

Cross Section of Wire	0.14 sq.mm
Termination	Partially Stripped
Cable length	100 mm