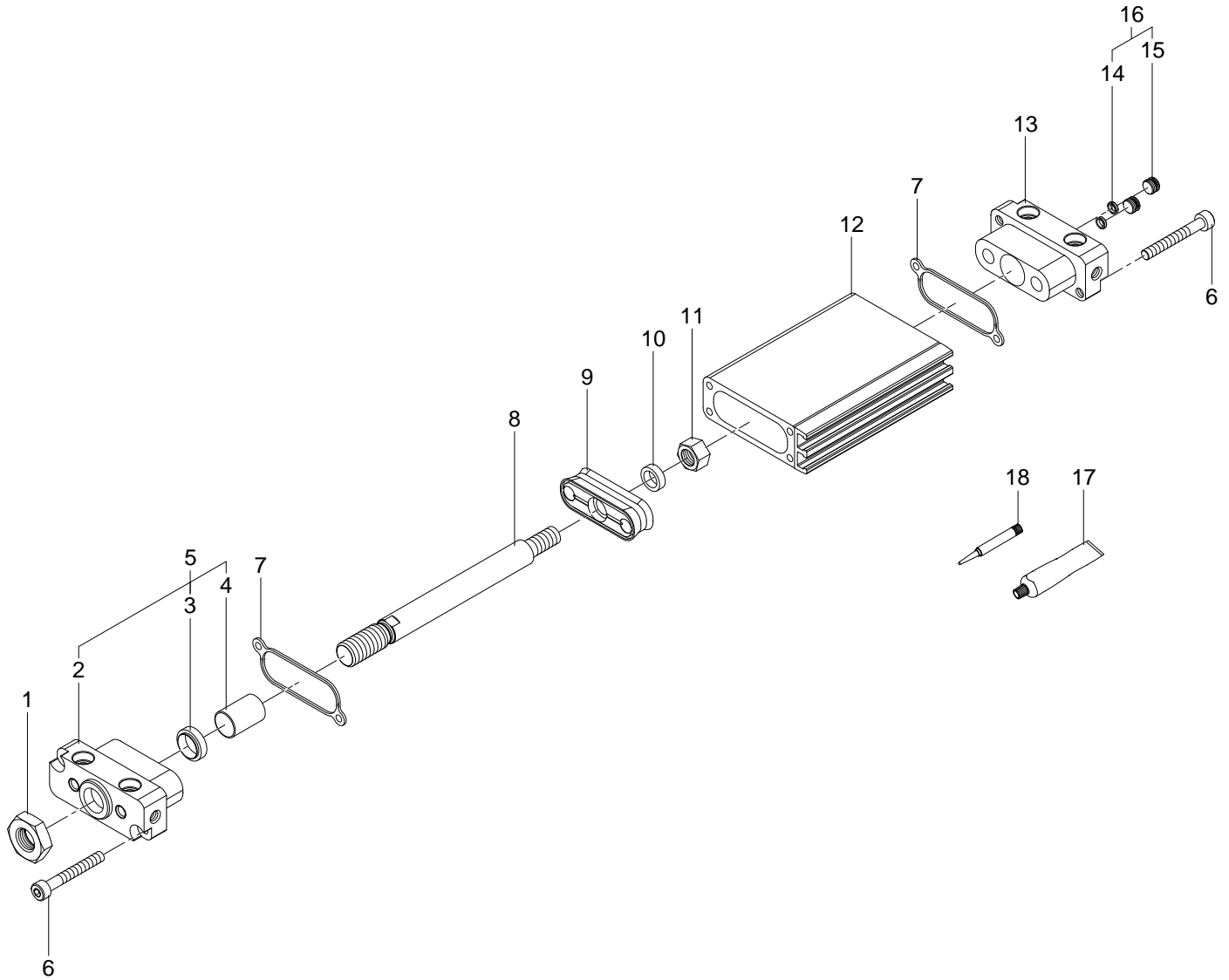


161299 DZF-50-125-A-P-A Flat cylinder - Series till 11-2012



## 161299 DZF-50-125-A-P-A Flat cylinder - Series till 11-2012

Pos.	Part no.	Type	Note	Qty.	Unit
A	384326	DZF-50-A-P-A Set of wearing parts	Spare parts: 3, 7, 9, 16, 17, 18 Attention, please order position 8 as well	1	PC
1	200127	DIN 439-B-M16X1,5-04 Hex nut		1	PC
2		DZF-50- -PA Bearing cap	Not available separately, see position 5	1	PC
3	359748	WIFC1-20X25X4,6-TPE-U Wiper seal	Grease using during assembly. See position 17	1	PC
4		20X23X25-2025-DP4 Bearing bushing	Not available separately, see position 5	1	PC
5	374561	DZF-50 Bearing cap module		1	PC
6	709140	SF-F-I-M6X30-10.9 self-tapping screw	Tightening torque 12 Nm / 8.9 lbf ft Use locking compound. See position 18	4	PC
7		DZF-50 NBR Seal	Not available separately, see position A Grease using during assembly. See position 17	2	PC
8	759904	ARA-20-X0048,7-S Piston rod	When ordering please specify the stroke (see type plate) Attention, please order position 999 as well	1	PC
9		DZF- 50 Piston module	Not available separately, see position A Grease using during assembly. See position 17	1	PC
10		13X20X4-1.0715 Ring	Not available	1	PC
11	200196	DIN 980-V-M12-8 Hex nut	Tightening torque 20 Nm / 14.8 lbf ft	1	PC
12		DZF- 50- -PA Cylinder barrel	Not available Grease using during assembly. See position 17	1	PC
13	374564	DZF-50- -PA End cap module		1	PC
14		9,4X12,2X3,6 Sealing ring	Not available separately, see position 16	1	PC
15		G1/4A Plug screw	Not available separately, see position 16	2	PC
16	116516	G1/4 Plug screw		2	PC
17	711822	LUB-AL2-SILIKONFREI-20ML Lubricating grease		1	PC
18	8181256	CYBERBOND TM44 TB1ML Adhesive bonding agent		1	PC