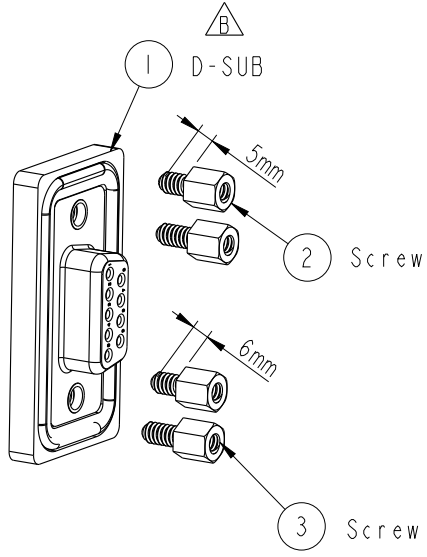
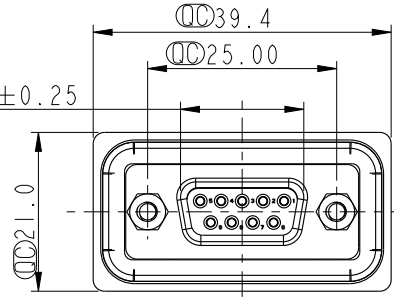
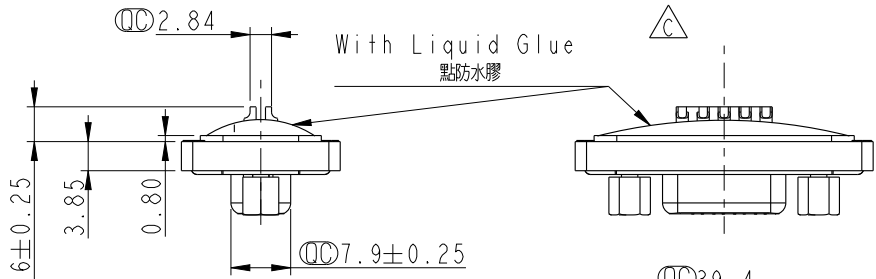


REV.	ECN NO.	DATE	SIGN	DESCRIPTION
B	LE3-710063	2006/12/15	DongYaLi	Move DOR0038S170 To ZSE00100548
C	LEN-970107	2009/07/10	Vicky	Remove Pin Dim.
D	LEN1350209	2013/05/14	Yulong	Change the Dimension



Note:

- * \varnothing Important Dimension.
- * Waterproof Rate: IP68
- IP68: 1M of depth of water 24 hours (防水等級: IP68) (1米水深24小時)
- * Do Mating Test After Glued (點膠後, 須作對插測試)
- * Housing: Black, Nylon+GF.
- * Connector: Black, PBT.
- * Female Pin: Copper Alloy, Gold Plated.
- * Ring: Light Blue, Silicone.
- * Screw: Copper Alloy, Nickel Plated, #4-40 UNC.
- * Applicable Wire Range: 22AWG-26AWG.
- 適用電線範圍: 22AWG-26AWG

ALTW
CONFIDENTIAL
2013-05-14
R&D DEPT.

ALTW
DCC. DEPT.
CONFIDENTIAL
2013.05.23
ISSUED

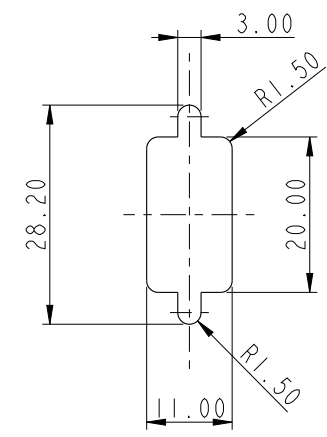


Screw L=5.0 For Panel Thickness Under 1.2mm

適用板厚為 1.2mm 以下

Screw L=6.0 For Panel Thickness Between 1.2~2.0mm

適用板厚為 1.2~2.0mm



Recommended Panel Cut-Out
建議挖孔尺寸

UNIT: mm	\varnothing	∇
TOLERANCE		
.X	±0.25	
.XX	±0.1	
.XXX	±0.05	
ANGLES	±1°	

TITLE D-SUB Conn. Panel Screw DB9P F Conn. F Pin		
SCALE 1:1	SIZE A4	SHEET 1 OF 1
REV. D	WC-REV. A.3	\varnothing : Inspection item

Amphenol LTW
安費諾亮泰企業股份有限公司

ITEM NO. SDB-09PFFS-SL8001	DRAWN BY SamChang	DATE 2013-05-14
DWG NO. SDB-09PFFS-SL8001	CHECKED BY Victor	DATE 2013-05-14
CUSTOMER ALTW	APPROVED BY Maslow	DATE 2013-05-14

THIS DOCUMENT IS SUBJECT TO CHANGE WITHOUT NOTICE. IT IS CONFIDENTIAL AND A PROPERTY OF Amphenol LTW. DISCLOSURE TO THIRD PARTY HAS TO BE AUTHORIZED BY Amphenol LTW.