

control kit (yellow), for contactors 3RT2.1 and auxiliary contactors 3RH2



product brand name	SIRIUS
product designation	control kit
<b>General technical data</b>	
color	yellow
Substance Prohibittance (Date)	10/01/2009
<b>Environmental footprint</b>	
Environmental Product Declaration (EPD)	Yes
Global Warming Potential [CO2 eq] total	7.04 kg
Global Warming Potential [CO2 eq] during manufacturing	0.089 kg
Global Warming Potential [CO2 eq] during operation	6.96 kg
global warming potential [CO2 eq] after end of life	-0.0061 kg

<b>Approvals Certificates</b>	
General Product Approval	EMC

[Confirmation](#)



Marine / Shipping	other	Environment
-------------------	-------	-------------



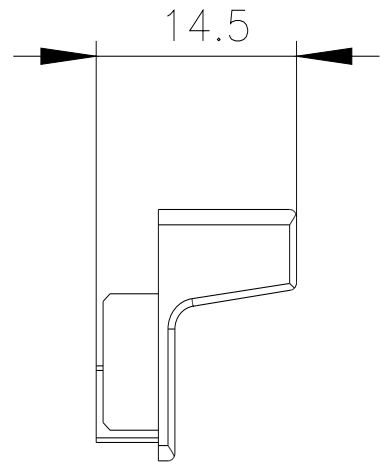
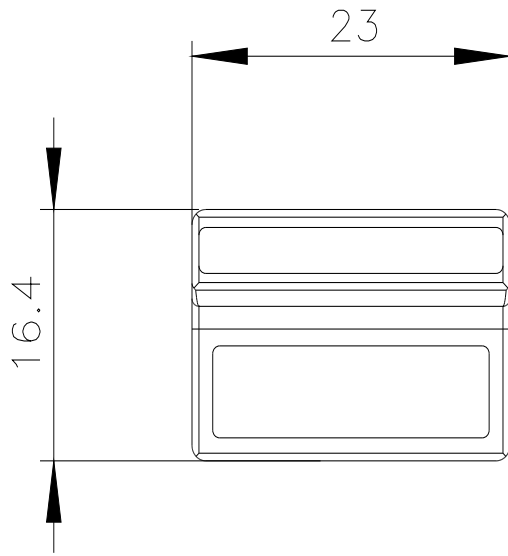
[Confirmation](#)

[Household and similar appliances](#)

[Environmental Confirmations](#)

**Further information**

Siemens has decided to exit the Russian market (see here).  
<https://press.siemens.com/global/en/pressrelease/siemens-wind-down-russian-business>  
 Siemens is working on the renewal of the current EAC certificates.  
 Please contact your local Siemens office on the status of validity of the EAC certification if you intend to import or offer to supply these products to an EAC relevant market (other than the sanctioned EAEU member states Russia or Belarus).  
**Information on the packaging**  
<https://support.industry.siemens.com/cs/ww/en/view/109813875>  
**Information- and Downloadcenter (Catalogs, Brochures,...)**  
<https://www.siemens.com/ic10>  
**Industry Mall (Online ordering system)**  
<https://mall.industry.siemens.com/mall/en/en/Catalog/product?mlfb=3RT2916-4MC00>  
**Cax online generator**  
<http://support.automation.siemens.com/WWW/CAXorder/default.aspx?lang=en&mlfb=3RT2916-4MC00>  
**Service&Support (Manuals, Certificates, Characteristics, FAQs,...)**  
<https://support.industry.siemens.com/cs/ww/en/ps/3RT2916-4MC00>  
**Image database (product images, 2D dimension drawings, 3D models, device circuit diagrams, EPLAN macros, ...)**  
[http://www.automation.siemens.com/bilddb/cax\\_de.aspx?mlfb=3RT2916-4MC00&lang=en](http://www.automation.siemens.com/bilddb/cax_de.aspx?mlfb=3RT2916-4MC00&lang=en)



---

last modified:

11/9/2023 