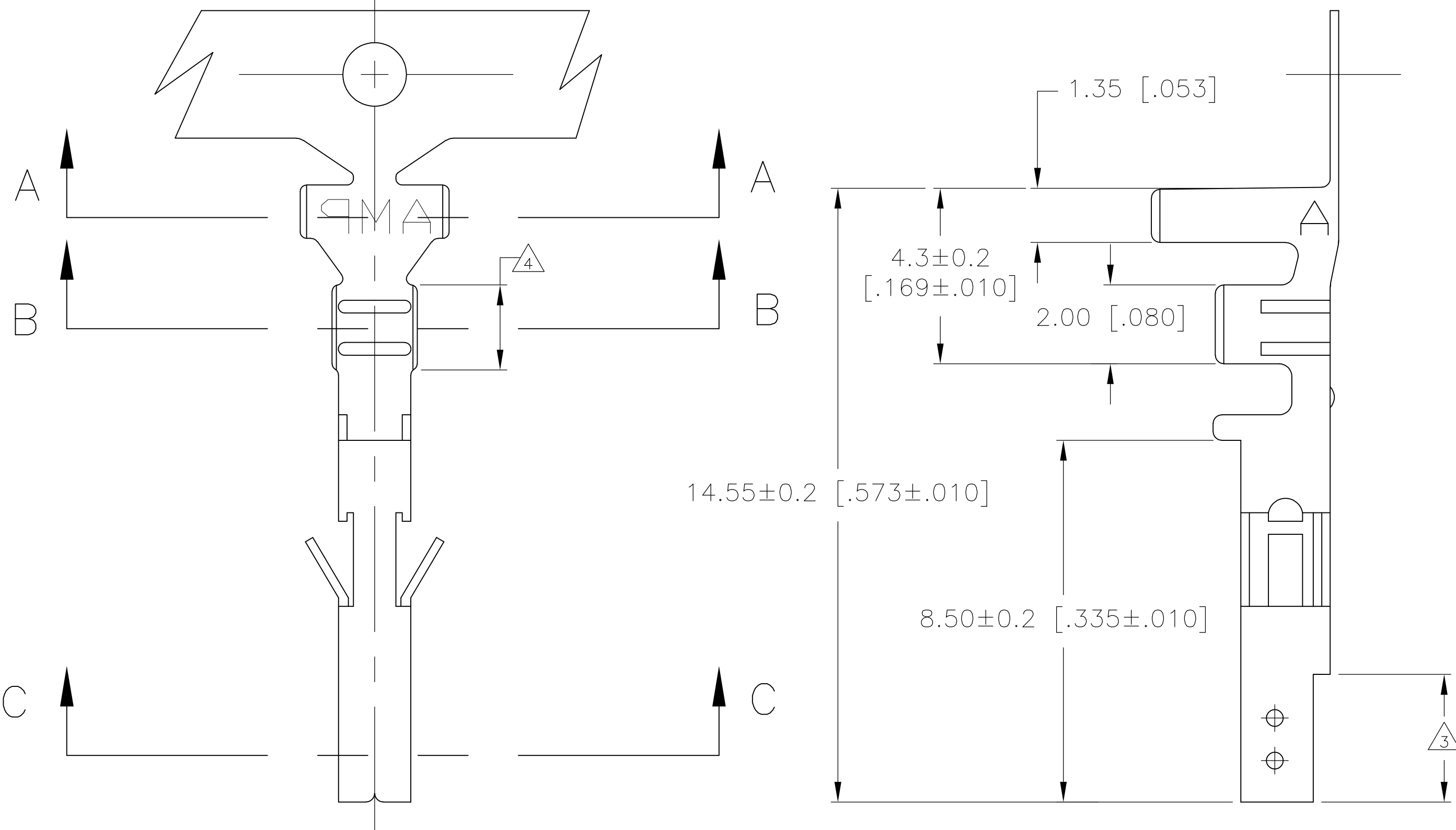
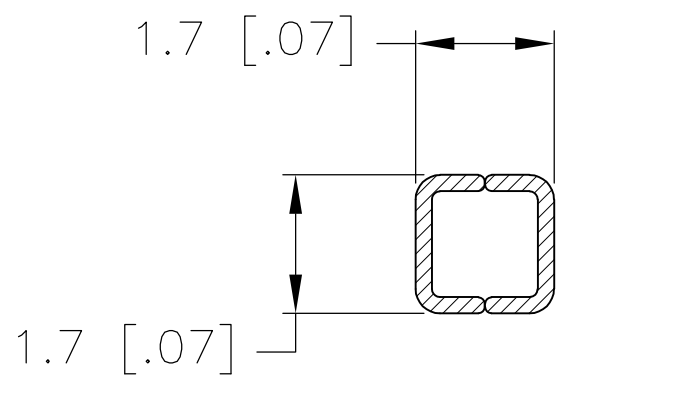
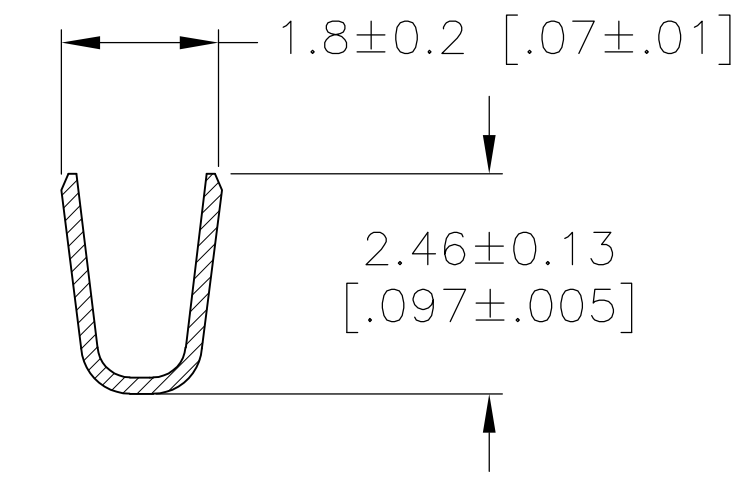
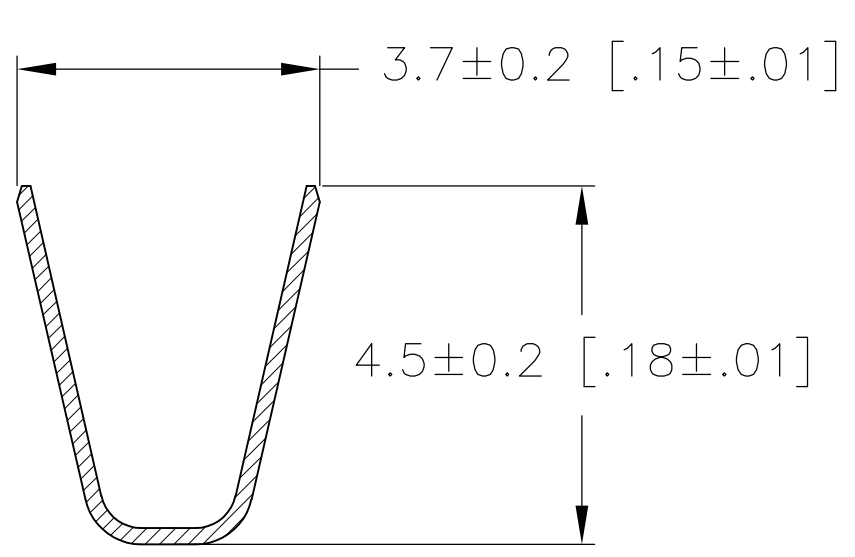


THIS DRAWING IS UNPUBLISHED. RELEASED FOR PUBLICATION
 © COPYRIGHT - By - ALL RIGHTS RESERVED.

LOC	DIST	REVISIONS					
		P	LTR	DESCRIPTION	DATE	DWN	APVD
CM	00		H3	REVISED PER ECO-11-004587	11MAR11	RK	HMR



- 1 WIRE RANGE: 0.2-0.82mm² (24-18 AWG).
- 2 INSULATION RANGE: 1.50 - 3.10 DIA.
- 3 FINISH: 0.76µm MIN GOLD OVER 1.27µm MIN NICKEL REQUIRED ON INNER SURFACE, PERMITTED ON OUTER SURFACE.
- 4 FINISH: 2.54µm MIN PRE-TIN ON ALL SURFACES IN THIS AREA.
- 5 FINISH: 2.54µm MINIMUM PRE-TIN ALL OVER.



SECTION B-B

SECTION C-C

SECTION A-A

GOLD	3 4	PHOS. BRZ.	794956-4
PRE-TIN	5	PHOS. BRZ.	794956-3
GOLD	3 4	BRASS	794956-2
PRE-TIN	5	BRASS	794956-1
FINISH:		MATERIAL:	PART NO.

METRIC

THIS DRAWING IS A CONTROLLED DOCUMENT.		DWN	S. HAMM	10-SEP-2001		TE Connectivity		
DIMENSIONS: MM [INCHES]		CHK	D. COLEY	10-SEP-2001		NAME		
TOLERANCES UNLESS OTHERWISE SPECIFIED:		APVD	D. COLEY	10-SEP-2001		PRODUCT SPEC		
0 PLC ±		APPLICATION SPEC		TERMINAL SOCKET VAL-U-LOK (TM)				
1 PLC ± 0.15 [.006]		WEIGHT		SIZE		CAGE CODE	DRAWING NO	RESTRICTED TO
2 PLC ± 0.10 [.004]		CUSTOMER DRAWING		A2		00779	C=794956	-
3 PLC ± 0.050 [.0020]		SCALE		NTS		SHEET 1 of 1		REV H3
4 PLC ±		FINISH		SCALE		SHEET 1 of 1		REV H3
ANGLES ±		FINISH		SCALE		SHEET 1 of 1		REV H3