

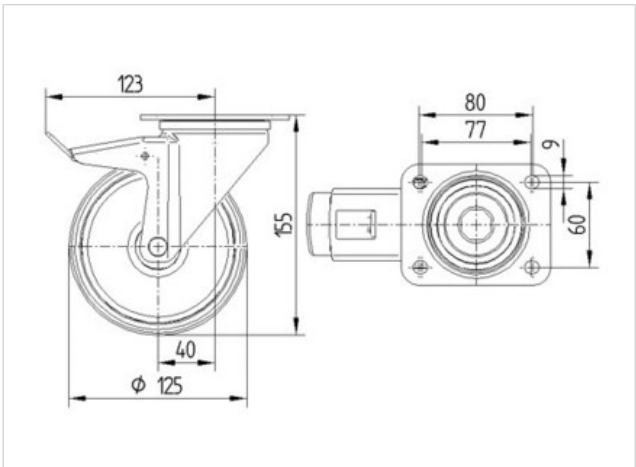
3477DYR125P62

EAN 4031582365481

Swivel castor with total lock, tail end of castor, housing made of pressed steel, bright zinc plated, blue passivated, double ball bearing swivel head, wheel axle with nut, dustguard, plate fitting. Wheel centre made of pressed steel, Tread: solid rubber, black, electric conductive, roller bearing

Technical Data	
Wheel diameter	125 mm
Width of Tread	37 mm
Size of Plate	105 x 85 mm
Plate hole centres	80/77 x 60 mm
Plate hole	9 mm
Offset	40 mm
Swivel Interference	246 mm
Overall height	155 mm
Temperature	- 20 / + 60 °C
Standard	EN 12532
Weight	1.368 kg
Swivel Radius	123 mm
Hardness of tread	Shore A 85
Load capacity	100 kg
Load capacity (static)	200 kg

Roll performance	+	+	+	+	+
Movement noise	+	+	+	+	+
Attrition	+	+	+	+	+
Corrosion resistance	+	+	+	+	+



Product Information



3477DYZ125P62

EAN 4031582365481

