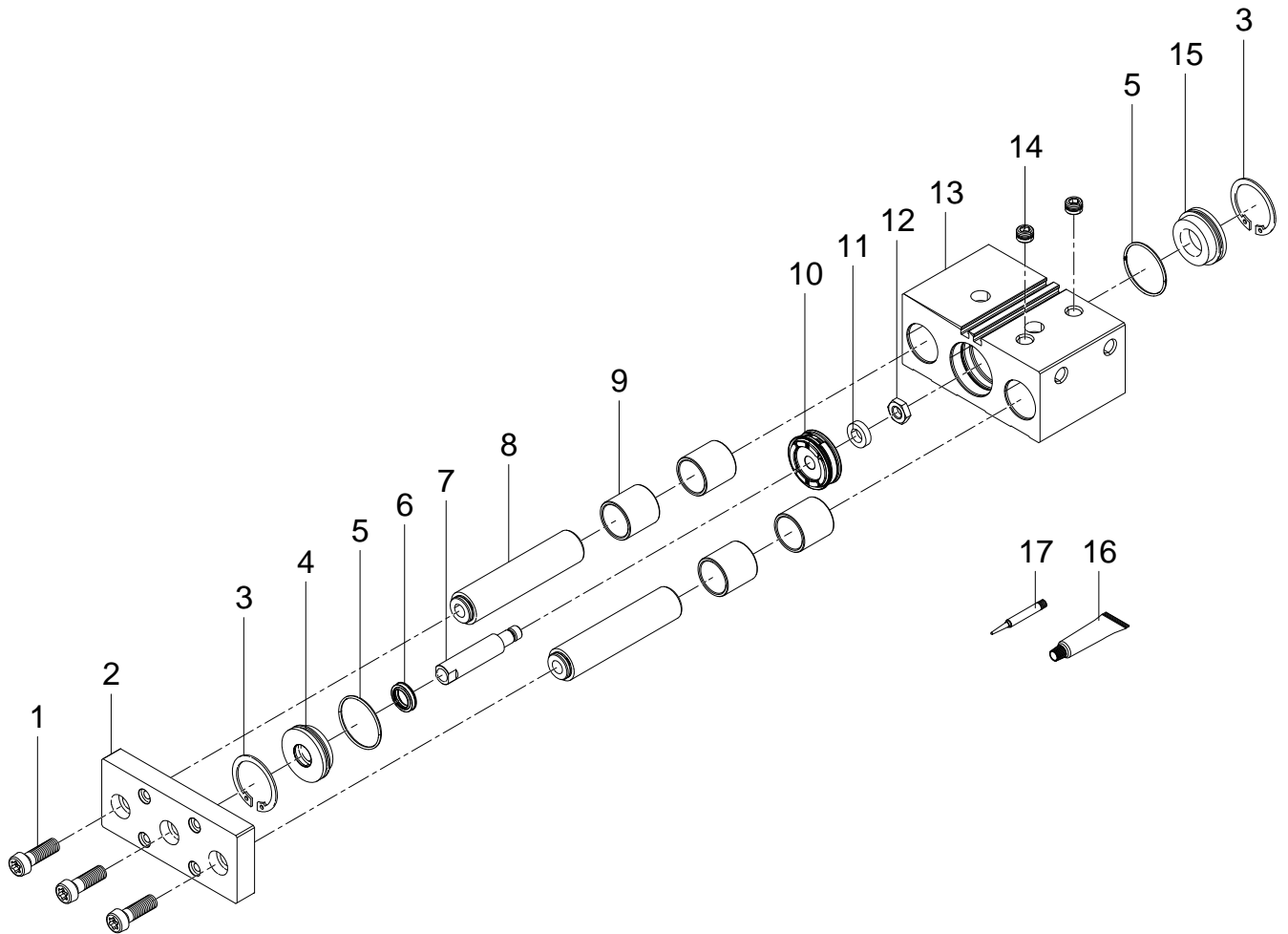


170865 DFM-40-50-P-A-GF Guided drive - Series from 08-2017



170865 DFM-40-50-P-A-GF Guided drive - Series from 08-2017

Pos.	Part no.	Type	Note	Qty.	Unit
A	8047218	DFM-40-PA :FR 04-2015 Set of wearing parts	Spare parts: 3, 5, 6, 11, 16, 17 ▶ Replacing the wearing parts	1	PC
1		ISO 14580-M8X25-8.8 Socket head screw	Not available Tightening torque 18 Nm / 13.3 lbf ft	3	PC
2		DFM-40 End plate	Not available	1	PC
3		J-41 Retaining ring	Not available separately, see position A	2	PC
4		DFM-40 Bearing cap	Not available Grease using during assembly. See position 16	1	PC
5		B-38X1,5-N-NBR70 O-ring ISO3601	Not available separately, see position A Grease using during assembly. See position 16	1	PC
6		WIFC1-12X16,5X4-TPE-U Wiper seal	Not available separately, see position A Grease using during assembly. See position 16	1	PC
7		IRA-12-S0073,5-B Piston rod	Not available	1	PC
8		DFM-32/40-50-GF Guide rod	Not available	2	PC
9		SINT-B50 20,01X24X24 Cylinder bearing	Not available	4	PC
10		DFM_BA-K10D-040-A Complete piston	Not available separately, see position A Grease using during assembly. See position 16	1	PC
11		11 X 16 X 4 Ring	Not available separately, see position A	1	PC
12	211437	DIN 439-B-M10X1,25-04 Hex nut	Tightening torque 9.5 Nm / 7.0 lbf ft Use locking compound. See position 17	1	PC
13		DFM-40-50 Housing	Not available Grease using during assembly. See position 16	1	PC
14	116515	G1/8 Plug screw		2	PC
15		DFM-40 End cap module	Not available	1	PC
16	684474	LUB-KC1 SILIKONFREI 20ML Lubricating grease		1	PC
17	8181256	CYBERBOND TM44 TB1ML Adhesive bonding agent		1	PC