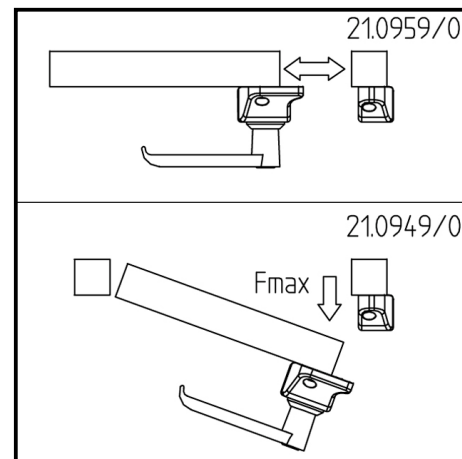
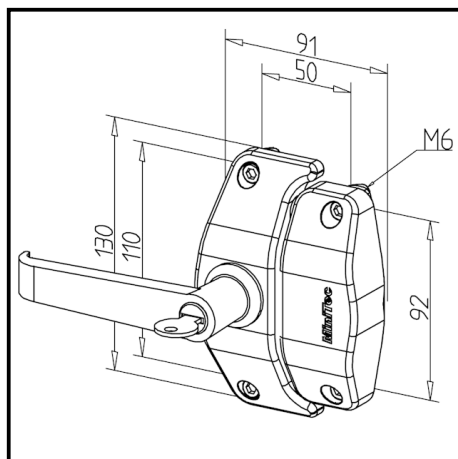


# SLIDING DOOR LOCK 45

Article Nr. 21.0958/0

See the product on the website →

Download CAD Files →



## TECHN. DATA / ITEMS SUPPLIED

- With fastening material steel, zinc plated
- Mounted handle: see **part no.** [21.2305/0](#)
- Fmax. 2200 N
- Weight = 0.493 kg/piece

## APPLICATIONS

- Locking of doors and panels
- No profile finishing required
- Position moveable

## ASSEMBLY

- Fastening on profile groove - without processing/boring of profiles
- No separate door stop required