

## Features

- Made of PC
- Lid made of transparent PC
- Available in light grey color
- Protection against liquids and solid objects: IP65 rating
- Supplied with four screws
- Threaded brass inserts for reliable assembly

## RS PRO Hermetic Enclosure

RS Stock No.: (0672265)



RS PRO is the own brand of RS. The RS PRO Seal of Approval is your assurance of professional quality, a guarantee that every part is rigorously tested, inspected, and audited against demanding standards. Making RS PRO the Smart Choice for our customers.

## Product Description

*Hermetic enclosure ideal for applications requiring protection against water ingress. The enclosure is supplied with silicone gasket that provides IP65 rating. Lid manufactured with recess for membrane keypads and overlays. Threaded brass inserts ensures reliable assembly of the enclosure.*

## General Specifications

Body Material	PC
Colour	Light grey
Lid Material	PC
Lid Colour	Transparent
RAL Code	RAL 7035
Accessories	Screw M3 17/10 - 4psc
Cover Screws Material	Galvanized Steel

## Mechanical Specifications

Gasket Material	Silicone
External Height	75mm
External Length	80mm
External Width	160mm

## Protection Category

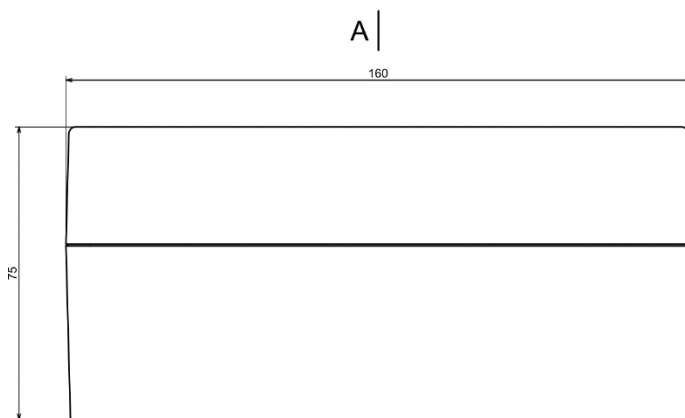
IP Rating	IP65
-----------	------

## Approvals

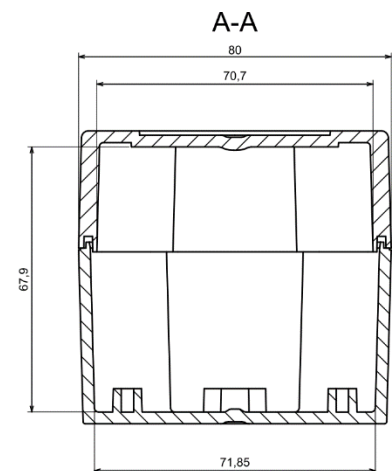
<b>Declarations</b>	REACH
<b>Standard Met</b>	RoHS Compliant

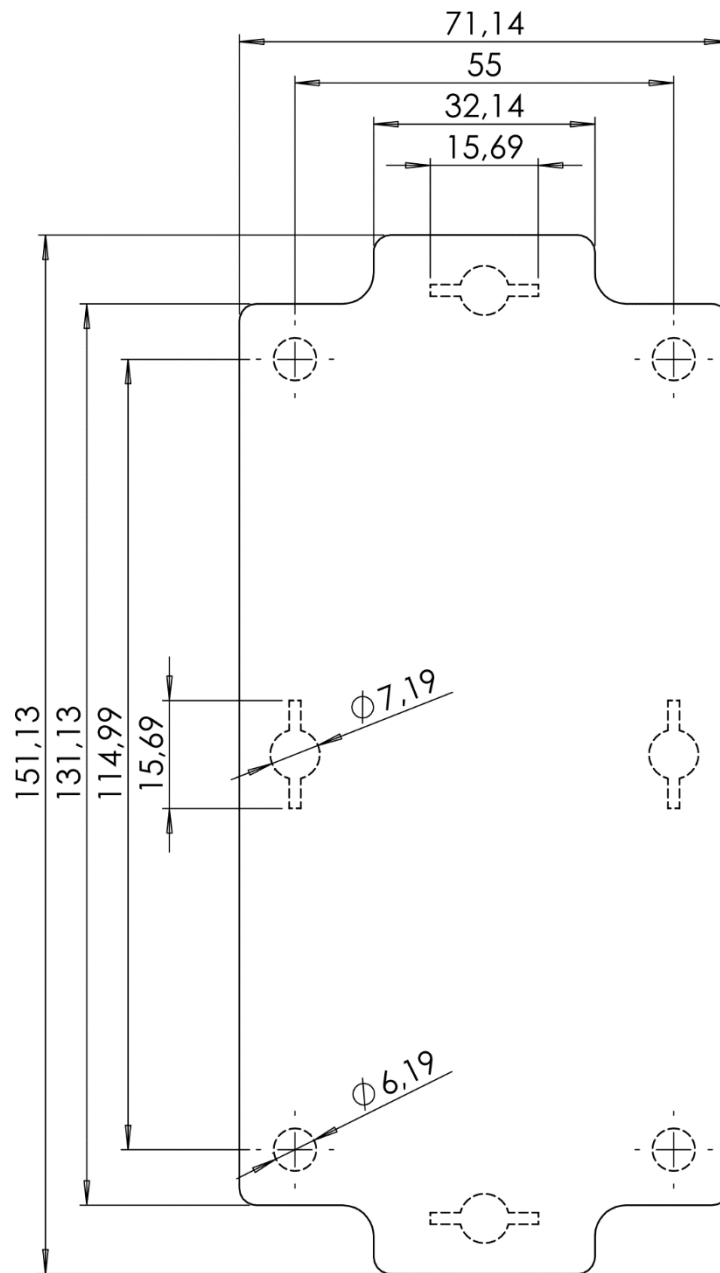
## Similar Products

Stock No.	Brand	Product Name	Body Material	Colour	Shielded
ZP150.100.75JH TM ABS	RS PRO	General Purpose Enclosure	ABS	Grey	No
0672361	RS PRO	General Purpose Enclosure	ABS PC	Grey Transparent	No



A |





Dashed line shows outline of the mounting boss under PCB board  
Recommended mounting holes diameter  $\phi 3,6\text{mm}$   
All dimensions are given within  $\pm 0,5\text{mm}$  tolerance