

## SD Class 10

### Description

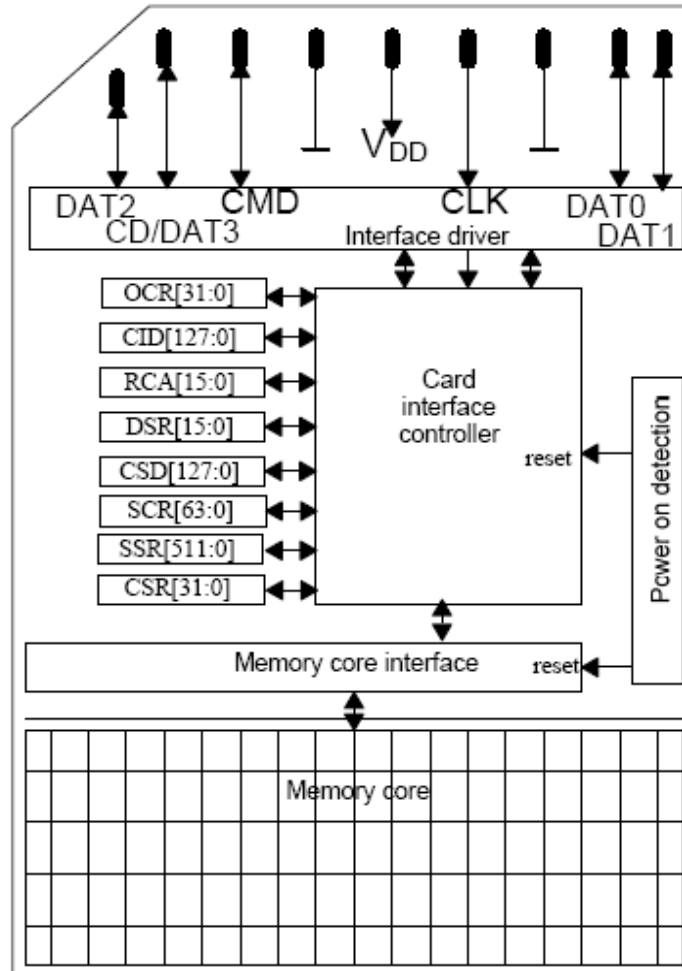
Featuring data transfer speeds of up to 30MB/s, Transcend's Class 10 SDXC/SDHC cards provide an impressive level of performance for high-megapixel digital cameras and Full-HD camcorders. With impressive write speed, these cards provide enhanced camera response for high-speed consecutive shooting as well as smooth Full HD video recording.

### Features

- Fully compliant with the SD 3.0 standard
- Class 10 speed rating guarantees fast and reliable write performance
- Easy to use, plug-and-play operation
- Efficient exFAT file system (SDXC cards only)
- Built-in Error Correcting Code (ECC) to detect and correct transfer errors
- Exclusive RecoverRx photo recovery software

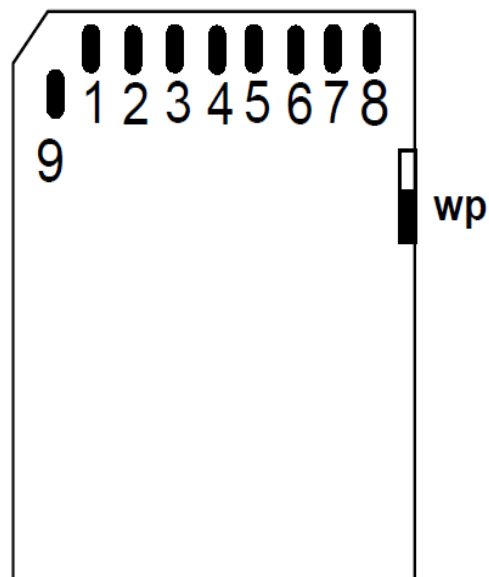


## Architecture



## Pin Definition

Pin No.	SD Mode		SPI Mode	
	Name	Description	Name	Description
1	CD/DAT3	Card Detect/Data Line [Bit3]	CS	Chip Select (neg true)
2	CMD	Command/Response	DI	Data In
3	V <sub>SS1</sub>	Supply voltage ground	V <sub>SS</sub>	Supply voltage ground
4	V <sub>DD</sub>	Supply voltage	VDD	Supply voltage
5	CLK	Clock	SCLK	Clock
6	V <sub>SS2</sub>	Supply voltage ground	V <sub>SS2</sub>	Supply voltage ground
7	DAT0	Data Line [Bit0]	DO	Data out
8	DAT1	Data Line [Bit1]	RSV	Reserved
9	DAT2	Data Line [Bit2]	RSV	Reserved



## Specifications

Physical Specification		
<b>Form Factor</b>		SD
<b>Dimensions (mm)</b>	<b>Length</b>	32.00 ± 0.1
	<b>Width</b>	24.00 ± 0.1
	<b>Height</b>	2.1.00 ± 0.15

Performance	
<b>Model P/N</b>	Read Performance
TS4GSDHC10	Up to 30MB/S
TS8GSDHC10	
TS16GSDHC10	
TS32GSDHC10	
TS64GSDHC10	
TS128GSDHC10	

Note: Maximum transfer speed recorded

\* 25 °C , 4GB DRAM, Windows<sup>®</sup> 7 with Transcend RDF5, benchmark utility Crystal DiskMark , copied file 1000MB, unit MB/s

Environmental Specifications	
<b>Operating Temperature</b>	- 25°C to 85°C
<b>Storage Temperature</b>	- 40°C to 85°C
<b>Durability</b>	10.000 mating cycles;
<b>Drop test</b>	1.5m free fall
<b>Regulator</b>	CE/FCC/BSMI

## Order information

Capacity	Transcend Part Number
4GB	TS4GSDHC10
8GB	TS8GSDHC10
16GB	TS16GSDHC10
32GB	TS32GSDHC10
64GB	TS64GSDXC10
128GB	TS128GSDXC10

The technical information above is based on industry standard data and has been tested to be reliable. However, Transcend makes no warranty, either expressed or implied, as to its accuracy and assumes no liability in connection with the use of this product. Transcend reserves the right to make changes to the specifications at any time without prior notice. Due to the complexity and variety of industrial applications, for special applications and environments, it is strongly suggested to contact Transcend or its authorized resellers beforehand for compatibility confirmation

**TAIWAN**E-mail: [sales-tw@transcend-info.com](mailto:sales-tw@transcend-info.com)**USA****Los Angeles:**E-mail: [sales-us@transcend-info.com](mailto:sales-us@transcend-info.com)**Maryland:**E-mail: [sales-us@transcend-info.com](mailto:sales-us@transcend-info.com)**Miami:**E-mail: [sales-us@transcend-info.com](mailto:sales-us@transcend-info.com)**Silicon Valley:**E-mail: [sales-us@transcend-info.com](mailto:sales-us@transcend-info.com)**GERMANY**E-mail: [sales-de@transcend-info.com](mailto:sales-de@transcend-info.com)**THE NETHERLANDS**E-mail: [sales-nl@transcend-info.com](mailto:sales-nl@transcend-info.com)**United Kingdom**E-mail: [sales-uk@transcend-info.com](mailto:sales-uk@transcend-info.com)**JAPAN**E-mail: [sales-jp@transcend-info.com](mailto:sales-jp@transcend-info.com)**KOREA**E-mail: [sales-kr@transcend-info.com](mailto:sales-kr@transcend-info.com)**CHINA**E-mail: [sales@transcendchina.com](mailto:sales@transcendchina.com)**HONG KONG**E-mail: [sales-hk@transcend-info.com](mailto:sales-hk@transcend-info.com)

## Revision History

Version	Date	Note
1.0	2016/04/06	The 1 <sup>st</sup> edition
1.1	2016/10/05	Revise pin definition of SPI mode