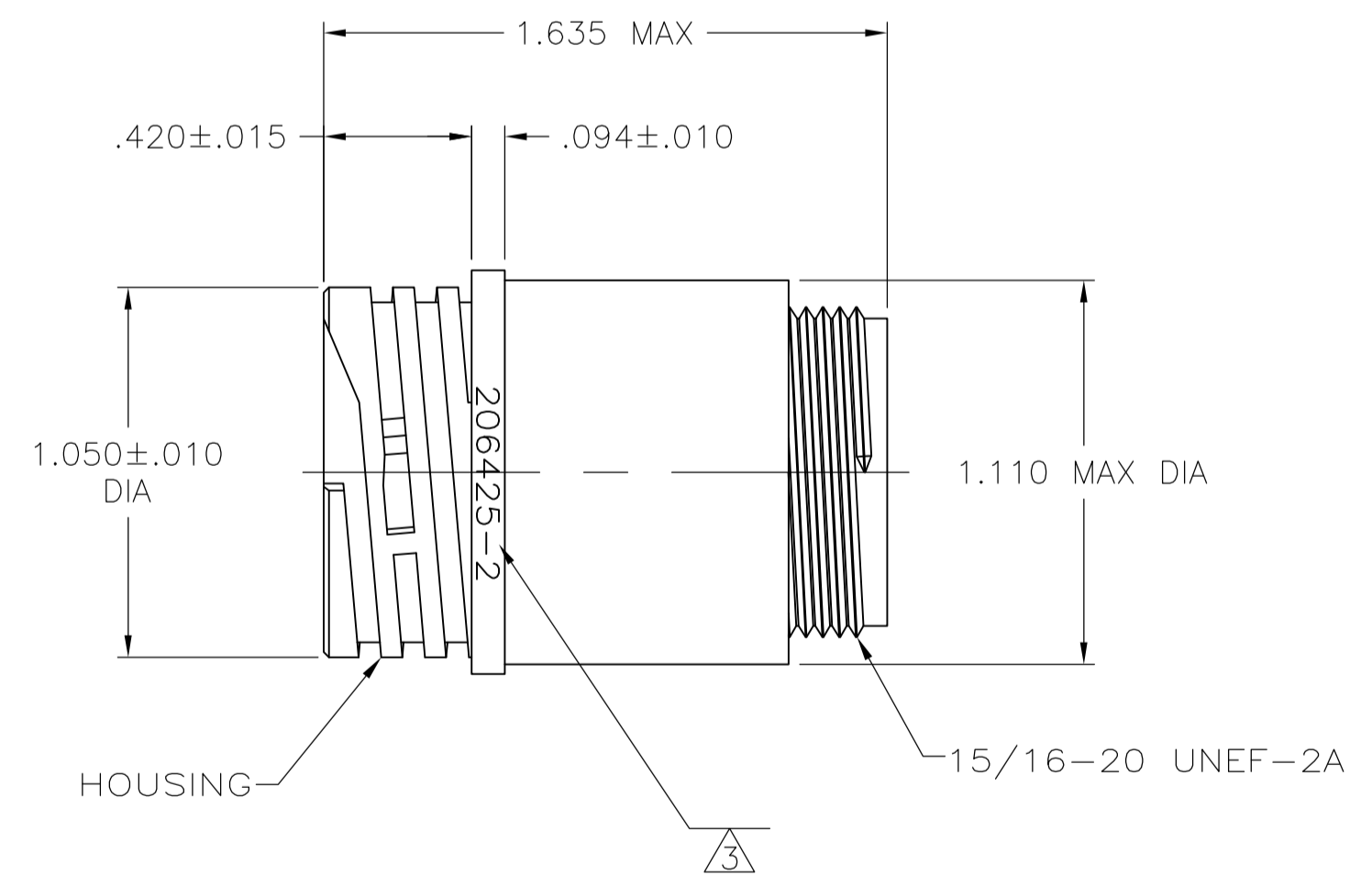
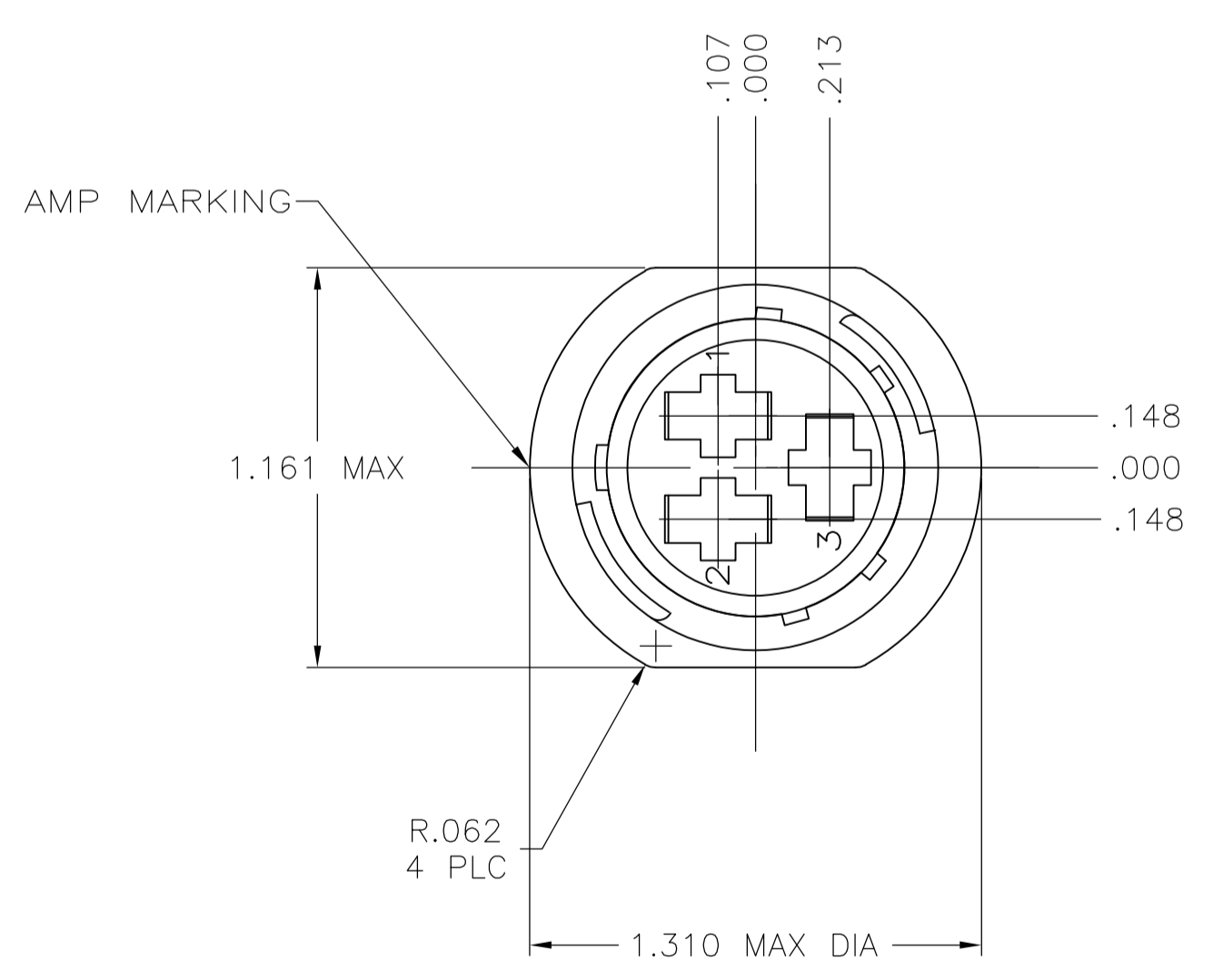


RECOMMENDED PANEL CUTOUT

DETAIL A



DETAIL B

- NOTES:
- CAVITY IDENTIFICATION ON FRONT AND REAR FACE.
 - WILL ACCEPT (3) TYPE XII SOCKET CONTACTS.
- △ PART NUMBER AND "AMP" INSIGNA CAN BE LOCATED ON ANY FLANGE EDGE.

4-40 THREADED INSERTS	NO	A	206425-5
.150±.003	YES	A	206425-3
.150±.003	NO	B	206425-2
.150±.003	NO	A	206425-1
C	PERIPHERAL SEAL	SEE DETAIL	PART NUMBER

THIS DRAWING IS A CONTROLLED DOCUMENT.		DIN M. BINNER 06/01/94	TE Connectivity	
DIMENSIONS: INCHES		CHK R. STONE 6-23-94	NAME	
TOLERANCES UNLESS OTHERWISE SPECIFIED:		APVD	PRODUCT SPEC	
0 PLC ± -	1 PLC ± -	108-10024		
2 PLC ± .005	3 PLC ± -	APPLICATION SPEC		
4 PLC ± -	ANGLES ± -	SIZE CASE CODE DRAWING NO		
MATERIAL HOUSING: NYLON, BLACK SEAL: ELASTOMER, GREY	FINISH -	WEIGHT -	A1 00779 C=206425	RESTRICTED TO
CUSTOMER DRAWING		SCALE 2:1	SHEET 1 OF 1	REV J1