

BUMPER

Features

- **Durable NR/SBR rubber** for abrasion resistance and long life
- **Spacers** Use our bumpers as spacers to ensure proper alignment and spacing in various installations
- **Multi-purpose use** for vehicles, warehouses, docks, doors, and furniture

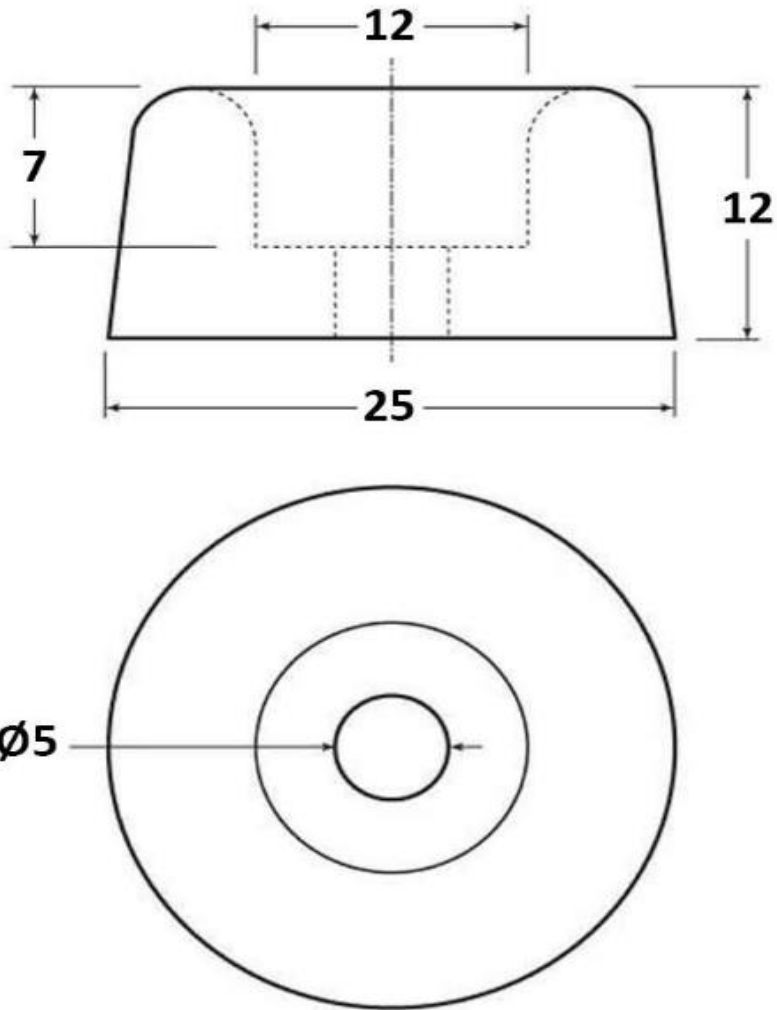
Cylindrical Bumper 25D x 12H

SKU.: 0734082



RS Professionally Approved Products bring to you professional quality parts across all product categories. Our product range has been tested by engineers and provides a comparable quality to the leading brands without paying a premium price.

BUMPER



Bumper Dimensions

Diameter (mm)	25
Height (mm)	12

BUMPER

Product Description

Our Premium Cylindrical Rubber Bumpers are expertly engineered to deliver reliable surface protection in both residential and industrial environments. Crafted from a high-performance blend of natural rubber (NR) and styrene-butadiene rubber (SBR), these bumpers offer superior durability, impact resistance, and long-lasting performance. Whether you're safeguarding walls from swinging doors, reducing vibrations in machinery, or preventing furniture damage, these bumpers are built to handle it all.

With excellent abrasion resistance and tear strength, they're ideal for high-traffic areas and repetitive use. Their sleek black finish adds a touch of modern utility, making them suitable for both functional and aesthetic applications. Easy to install and versatile in use, these bumpers serve as door stops, gate stoppers, vibration dampers, and protective spacers — all in one compact solution.

General Specifications

Material	NR/SBR
Colour	Black

Mechanical Specifications

Weight	0.004KG
Tensile Strength	4Mpa
Elongation	200%
Hardness	75ShA

Operation Environment Specifications

Maximum Temperature	70°C
Minimum Temperature	-15°C