

# G-INS-M25-M68N-PNES-GY - Cable gland



1411126

<https://www.phoenixcontact.com/pc/products/1411126>

Please be informed that the data shown in this PDF document is generated from our online catalog. Please find the complete data in the user documentation. Our general terms of use for downloads are valid.



Cable gland, material for screw connection: PA, application: Standard, external cable diameter 11 mm ... 17 mm, shielding: no, connecting thread: M25 x 1.5, color: silver-gray RAL 7001

## Your advantages

- Plastic material conforms to UL 746C f1

## Commercial data

Item number	1411126
Packing unit	5 pc
Minimum order quantity	5 pc
Product key	AF7DCX
GTIN	4046356922579
Weight per piece (including packing)	19.2 g
Weight per piece (excluding packing)	16 g
Customs tariff number	39269097
Country of origin	TR

# G-INS-M25-M68N-PNES-GY - Cable gland



1411126

<https://www.phoenixcontact.com/pc/products/1411126>

## Technical data

### Mounting

Assembly note	1) Mount screw connection support in the housing using the correct torque 2) Insert cable 3) Tighten union nut using the correct torque
---------------	---

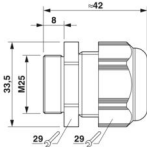
### Product properties

Application	Standard
No. of conductors	1
Manufacturer	BIMED
Manufacturer Designation	BM-EN-03
Shielded	no
Execution of the strain relief	A

### Characteristics

Category of shock impact	4
Design, Strain relief	A

### Dimensions

Dimensional drawing	
Length	42 mm
Length of the connecting thread	8 mm
Hole diameter	25.1 mm ... 25.2 mm
Wrench size, union nut	29 mm
Wrench size, support	29 mm
Hexagon angular dimension	33.5 mm
Thread type connection side	M25 x 1.5
Thread pitch	1.5 mm

### Connection data

Tightening torque	5.5 Nm $\pm$ 1 Nm (Cap nut)
	3.5 Nm (Support sleeve)

### Material specifications

Color	silver gray (RAL 7001)
Material Housing	PA (Housing)
Flammability rating according to UL 94	V2
Seal material Cable seal	CR
Material for screw connection	PA

# G-INS-M25-M68N-PNES-GY - Cable gland



1411126

<https://www.phoenixcontact.com/pc/products/1411126>

## Cable/line

External cable diameter Cable 1	11 mm ... 17 mm
External cable diameter	13 mm ... 17 mm (for UL 514 B)
Halogen-free	no

## Environmental and real-life conditions

### Ambient conditions

Degree of protection	IP66
	IP68 (5 bar / 0.5 h)
Enclosure rating (NEMA)	1
	4
	4X
	12
	13
Ambient temperature (operation)	-40 °C ... 100 °C (static)

# G-INS-M25-M68N-PNES-GY - Cable gland

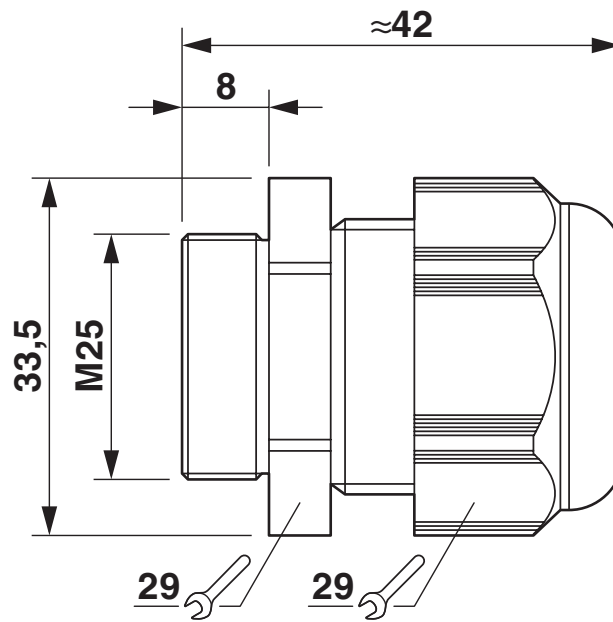
1411126

<https://www.phoenixcontact.com/pc/products/1411126>



## Drawings

Dimensional drawing



# G-INS-M25-M68N-PNES-GY - Cable gland



1411126

<https://www.phoenixcontact.com/pc/products/1411126>

## Approvals

To download certificates, visit the product detail page: <https://www.phoenixcontact.com/pc/products/1411126>

### DNV

Approval ID: TAE00003WX



### CSA

Approval ID: 115116



### VDE approval of drawings

Approval ID: 40024424



### UL Listed

Approval ID: E199260

# G-INS-M25-M68N-PNES-GY - Cable gland



1411126

<https://www.phoenixcontact.com/pc/products/1411126>

## Classifications

### ECLASS

ECLASS-13.0	27140801
ECLASS-15.0	27140801

### ETIM

ETIM 10.0	EC000441
-----------	----------

### UNSPSC

UNSPSC 21.0	39121300
-------------	----------

# G-INS-M25-M68N-PNES-GY - Cable gland



1411126

<https://www.phoenixcontact.com/pc/products/1411126>

## Environmental product compliance

### EU RoHS

Fulfills EU RoHS substance requirements	Yes, No exemptions
---	--------------------

### China RoHS

Environment friendly use period (EFUP)	EFUP-E
	No hazardous substances above the limits

### EU REACH SVHC

REACH candidate substance (CAS No.)	No substance above 0.1 wt%
-------------------------------------	----------------------------

# G-INS-M25-M68N-PNES-GY - Cable gland

1411126

<https://www.phoenixcontact.com/pc/products/1411126>

## Accessories

### A-INL-M25-P-GY - Counter nut

1411208

<https://www.phoenixcontact.com/pc/products/1411208>

Counter nut, for threads M25 x 1.5, color: silver-gray RAL 7001



---

### SEALING PLUG 14X22 RD - Sealing plug

1400270

<https://www.phoenixcontact.com/pc/products/1400270>

Sealing plug, for threads pluggable, color: red



---

Phoenix Contact 2026 © - all rights reserved

<https://www.phoenixcontact.com>

PHOENIX CONTACT GmbH & Co. KG

Flachsmarktstraße 8

D-32825 Blomberg

+49 (0) 5235-3 00

[info@phoenixcontact.com](mailto:info@phoenixcontact.com)