



# Datasheet

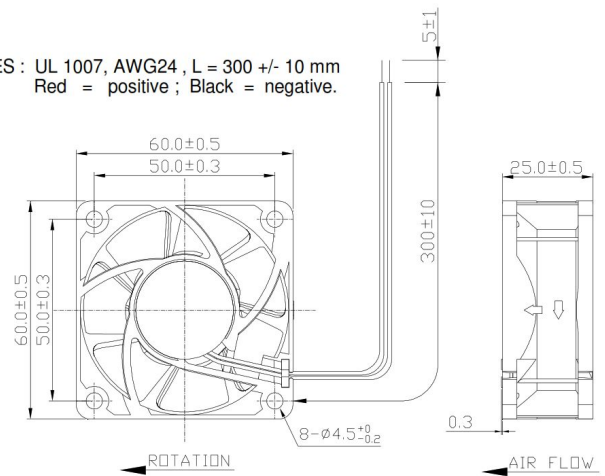
## RS PRO DC FAN 60x25mm

Stock Number: 668-8836

EN



LEAD WIRES : UL 1007, AWG24 , L = 300 +/- 10 mm  
Red = positive ; Black = negative.



Frame	PBT UL94 V-0 Plastic	<u>Operating Temperature</u> -10°C ~ +70°C	<p>Static Pressure ("H<sub>2</sub>O)</p> <p>Airflow (CFM)</p>
Impeller	PBT UL94 V-0 Plastic	<u>Storage Temperature</u> -40°C ~ +70°C	
Connection	2x Wire Leads, 24 AWG	<u>Life Expectancy</u> 40,000 hours (L10 at 40°C)	
Motor	Brushless DC, Auto Cutoff, Auto Restart, Polarity Protected	Weight: 0.062Kgs (0.14 lbs)	
Bearing System	Sealed Sleeve		
Dielectric Strength	500VAC/min < 1mA		
Insulation Resistance	10M ohm between leadwire and frame (500VDC)		

Model Number	668-8836
Rated Voltage	24 VDC
Rated Power	2.9 W
Rated Current	0.12 A
Rated Speed (RPM)	4500
Airflow (CFM)	23
Noise Level (dB)	33
Max. Static Pressure	0.25" H <sub>2</sub> O