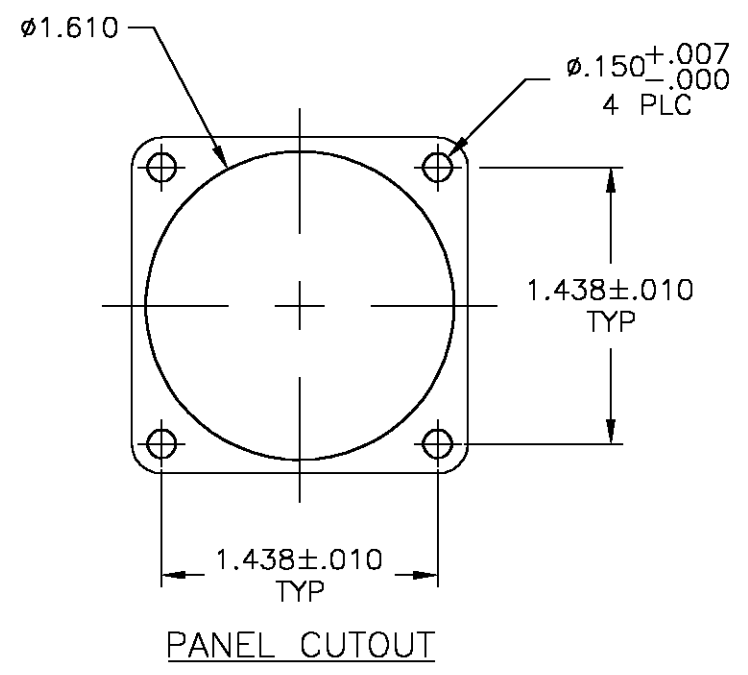
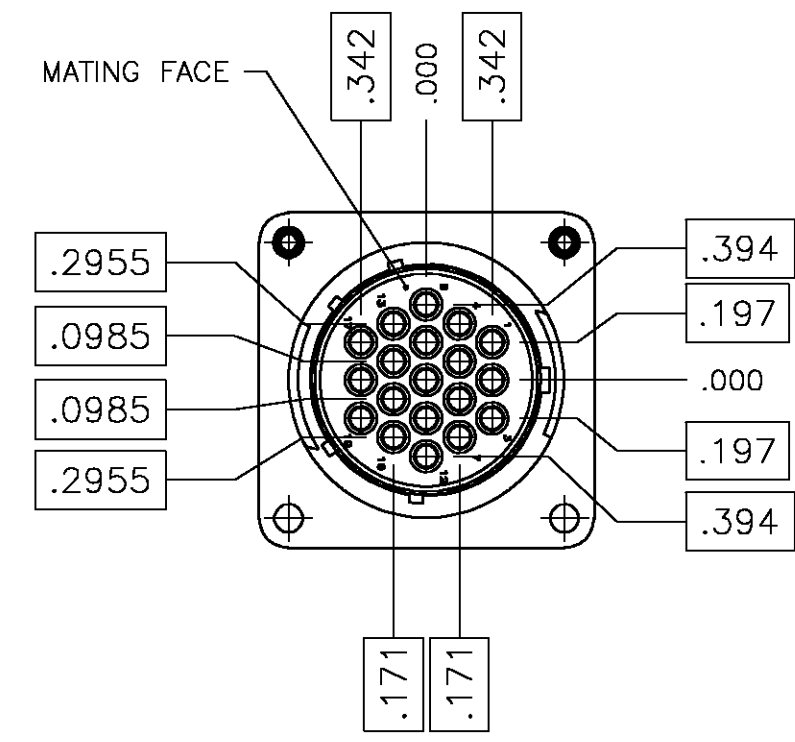
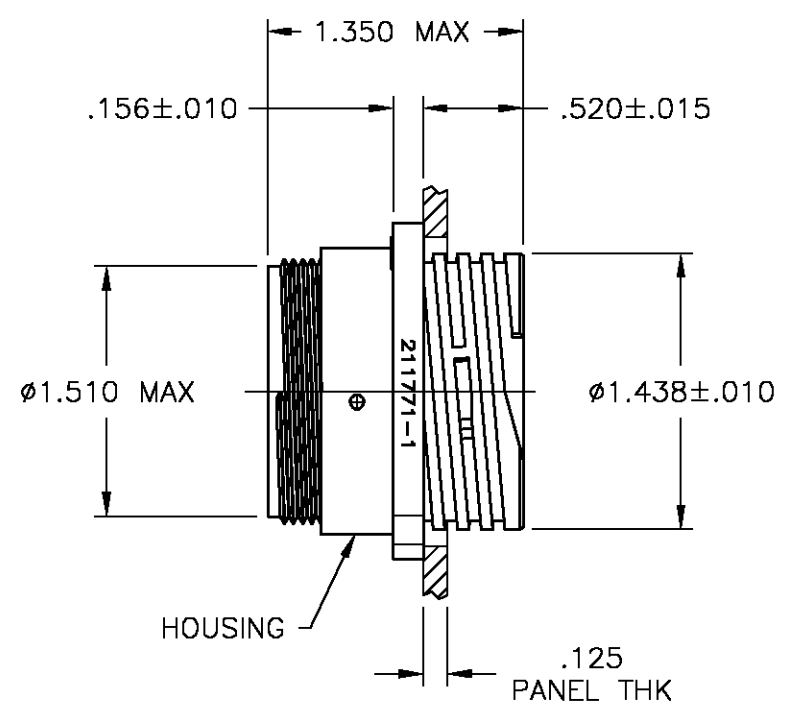
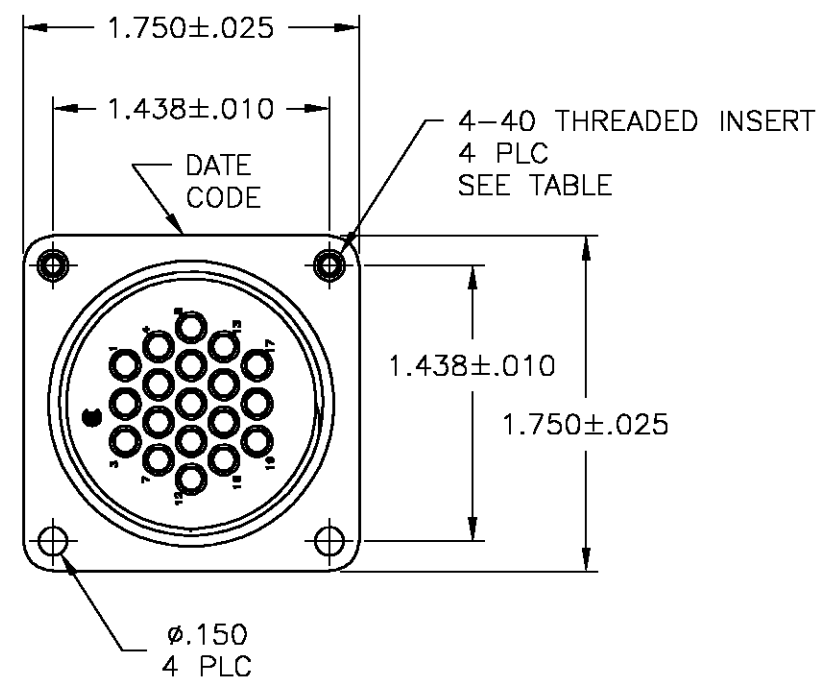


THIS DRAWING IS UNPUBLISHED. RELEASED FOR PUBLICATION  
 © COPYRIGHT BY TYCO ELECTRONICS CORPORATION. ALL RIGHTS RESERVED.

LOC	DIST	REVISIONS			
P	LTR	DESCRIPTION	DATE	DWN	APVD
FT	0	D	REVISED PER 0G3B-0686-04	8/6/04	SS SH

- NOTES:
- 1. HOUSING: NYLON, BLACK.  
THREADED INSERTS: BRASS.
  - 2. WILL ACCEPT (19) MULTIMATE PIN CONTACTS.



YES	NORMAL	211771-2
NO	NORMAL	211771-1
4-40 THREADED INSERTS	KEYING	PART NUMBER

THIS DRAWING IS A CONTROLLED DOCUMENT.		DWN C.OBERMAN 8-16-94	Tyco Electronics Corporation Harrisburg, Pa 17105-3608	
DIMENSIONS: INCHES		CHK R.STONE 8-17-94	Tyco Electronics	
TOLERANCES UNLESS OTHERWISE SPECIFIED:		APVD 10-3-94 A.FRANTUM	NAME RECEPTACLE HOUSING, STD SEX, SERIES I, SHELL SIZE 23, CPC	
0 PLC ± -		PRODUCT SPEC 10-3-94 A.FRANTUM	SIZE A3	
1 PLC ± -		APPLICATION SPEC	CAGE CODE 00779	DRAWING NO C-211771
2 PLC ± .005		WEIGHT -	RESTRICTED TO -	
3 PLC ± -		CUSTOMER DRAWING		
4 PLC ± -		SCALE 1:1		
ANGLES ± -		SHEET 1 OF 1		
FINISH -		REV D		