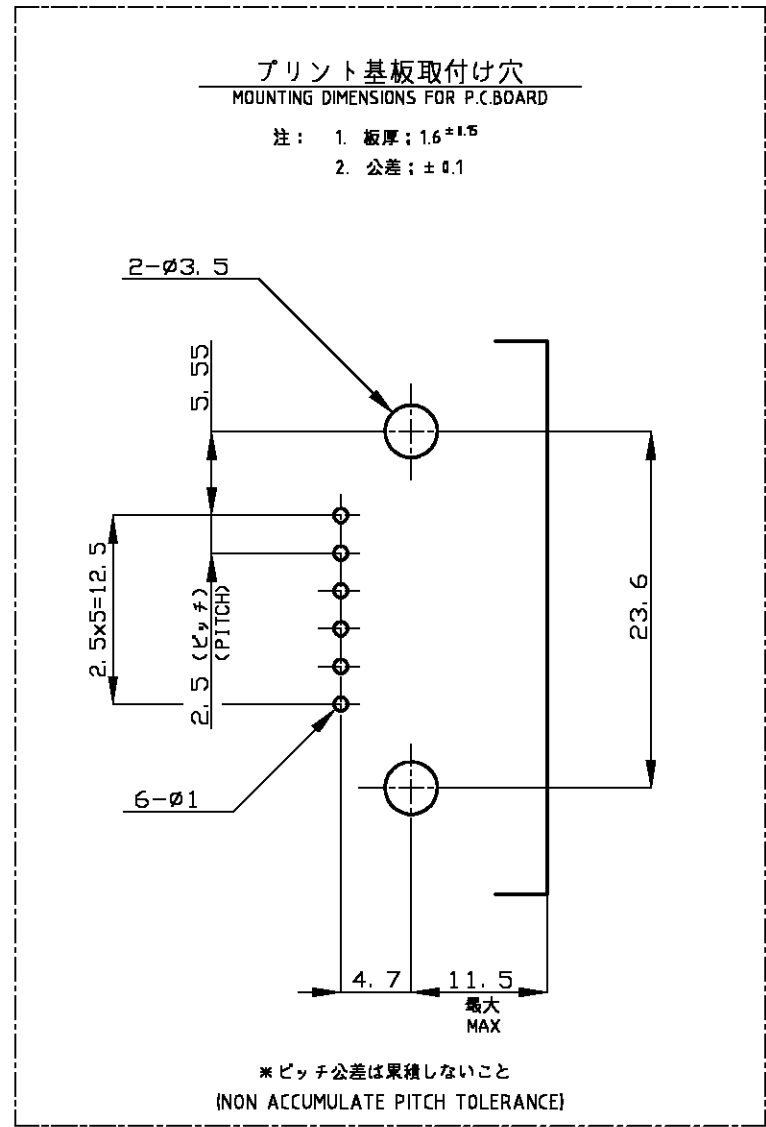
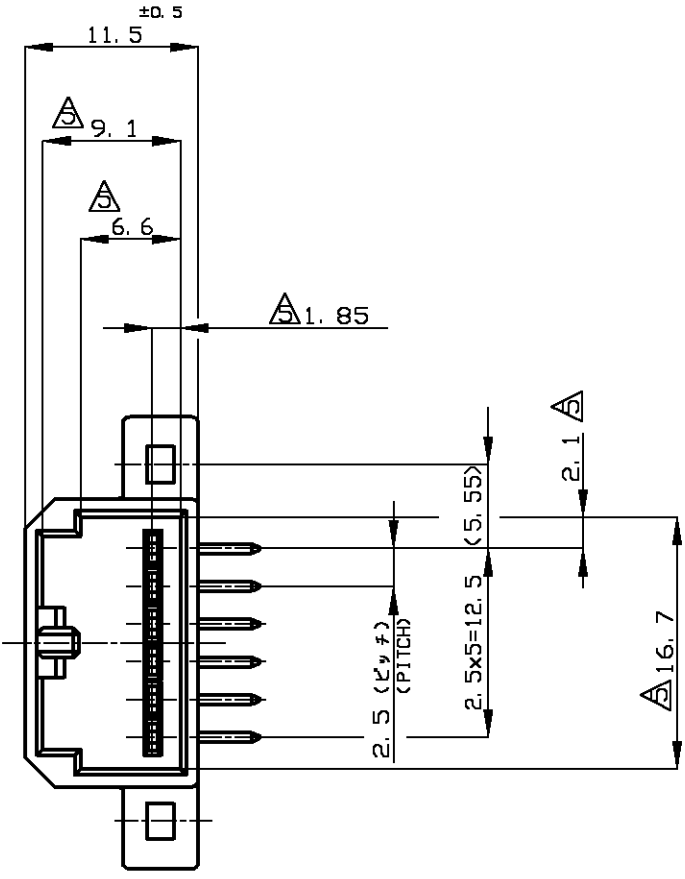
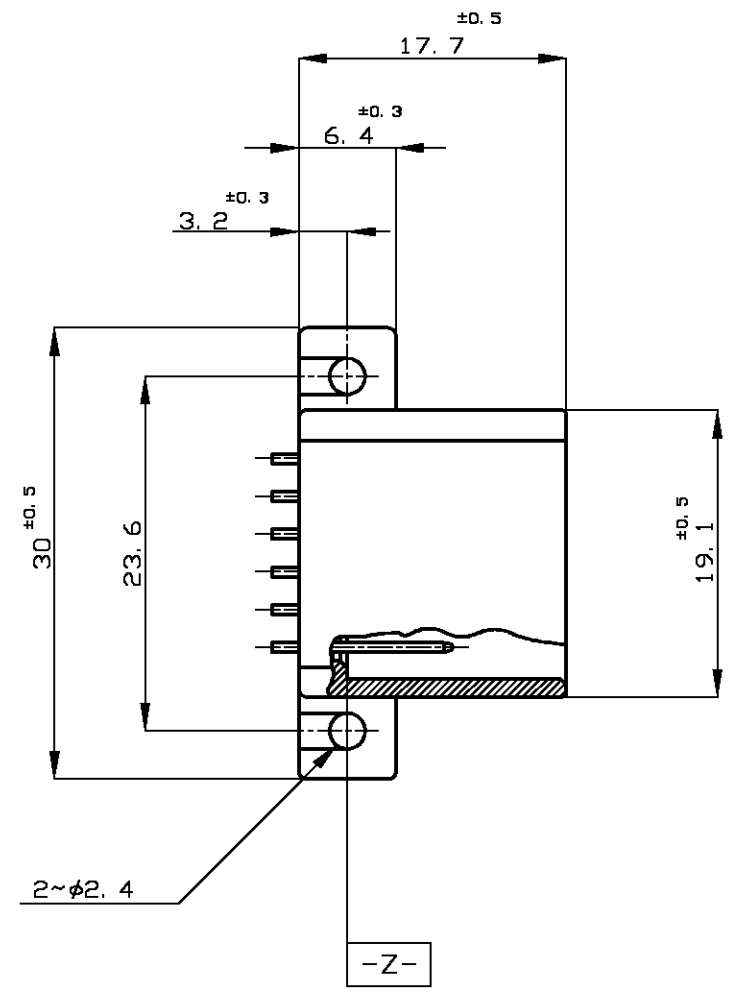


THIS DRAWING IS UNPUBLISHED. RELEASED FOR PUBLICATION
 © COPYRIGHT BY TYCO ELECTRONICS CORPORATION. ALL RIGHTS RESERVED.

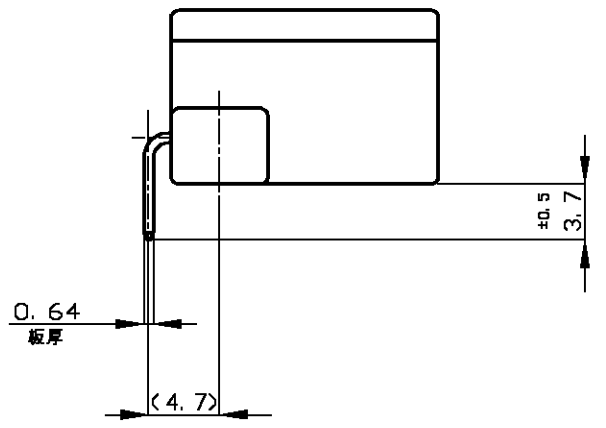
LOC	DIST	REVISIONS					
J	-	P	LTR	DESCRIPTION	DATE	DWN	APVD
		A1	ECR-05-011876		13OCT05	MK	KB



- NOTES:
1. APPLICABLE P. C. B BOARD THICKNESS; 1.6mm
 2. RECOMMENDED MOUNTING SCREW 3mm DIA 6mm LENGTH (MIN) TAPPING SCREW SPECIFIED IN JIS B1115, B1122 (TIGHTENING TORQUE; 4Kg-cm MAX)
 3. THE MATING PLUG HSG. PART NUMBER; 175507
 4. APPLICABLE PRODUCT SPEC NO.; 108-5281
- △ TO BE MEASURED WITHIN 2mm FROM -Z-

- 注:
1. 適用プリント基板厚: 1.6mm
 2. 推奨取付ネジ: JIS B1115, B1122 タッピングネジ, ナベ2種 呼び径3, 長さ6mm以上 (締付トルク: 4Kg-cm以下)
 3. 嵌合相手ハウジング: 175507
 4. 適用製品規格番号: 108-5281
- △ -Z- 面より2mmの範囲で測定

SELECTIVE-TIN (MATTE)	SELECTIVE-TIN (BRIGHT)	黒 (BLACK)	175506-8
PRE-TIN		黒 (BLACK)	175506-2
半田付け部 SOLDERING SIDE	接触部側 CONTACT SIDE	色 (COLOR)	P/N
CONTACT 仕上げ FINISH OF CONTACT			



一般公差

0 < x < 10	±0.2
10 < x < 30	±0.25
30 < x < 100	±0.3
角 度	±3°

THIS DRAWING IS A CONTROLLED DOCUMENT.

DIMENSIONS: 単位: 耗 mm	TOLERANCES UNLESS OTHERWISE SPECIFIED: 一般公差
MATERIAL 材料	FINISH 仕上
HOUSING ; PBT	CONTACT : BRASS

DWN M.KADOSAKI 13OCT05	Tyco Electronics AMP K.K. Kawasaki, Japan				
CHK T.SHINOHARA 13OCT05					
APVD K.BETSUI 13OCT05					
NAME 名称					
PRODUCT SPEC 製品規格	6pos. CAP HSG ASS'Y (HORIZONTAL TYPE) .040 SERIES MULTI-LOCK I/O CONN. (NON INERTIA TYPE)				
APPLICATION SPEC 取付適用規格	SIZE A3	CAGE CODE 00779	DRAWING NO 番号 C-175506	RESTRICTED TO	
WEIGHT	CUSTOMER DRAWING		SCALE 尺度 2:1	SHEET 1 OF 1	REV A1