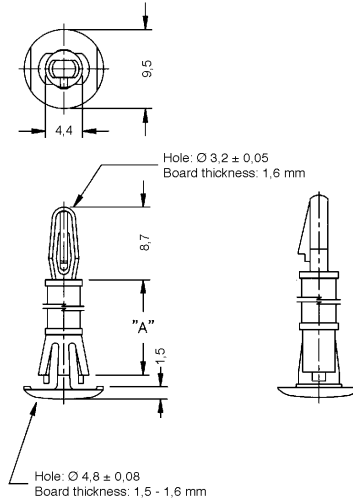


CIRCUIT BOARD HARDWARE

A

Part No.	"A" mm
RLCBSR-4-01	6.4
RLCBSR-5-01	7.9
RLCBSR-6-01	9.5
RLCBSR-7-01	11.1
RLCBSR-8-01	12.7
RLCBSR-9-01	14.3
RLCBSR-10-01	15.9

Part available in black by special order.



RLCBSR

REVERSE LOCKING CIRCUIT BOARD SUPPORT,
ROUND HOLE

Material: Nylon 6/6 - natural; UL 94 V-2, RMS-01
or
Nylon 6/6 - natural; UL 94 V-0, RMS-19
Std. Pk.: 1.000 pcs.

Note:

RLCBSR	9	01	B
Part	Length	Material Code	Colour