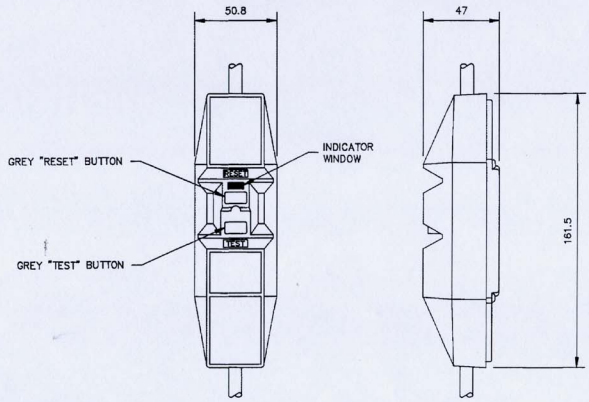


© AND DESIGN RIGHT B & R ELECTRICAL PLC (1992) CONTENTS STRICTLY PRIVATE AND CONFIDENTIAL, TO BE USED ONLY FOR PURPOSES NOTIFIED BY B&R. ALL INTELLECTUAL PROPERTY RIGHTS IN AND IN RELATION TO THIS DRAWING AND ITS SUBJECT-MATTER ARE RESERVED, AND NONE HEREBY LICENSED.

CAD LOC: F:\MISC\3003713A

1 2 3 4 5 6 7 8



A	1105	8-2-93
ISS	CCD	DATE

MATERIAL N/A

TOLERANCES.
(UNLESS OTHERWISE STATED)
1 DEC. PLACE ± 0.4mm

DRAFT CONSIDERATIONS.
(S) SMALLEST DIM.
(L) LARGEST DIM.

B & R ELECTRICAL PLC
SOUTH ROAD, TEMPLEFIELDS, HARLOW, ESSEX. CM20 2BG ENGLAND.

FINISH. N/A

DRN. R. EAGLES TITLE H62 DRG: