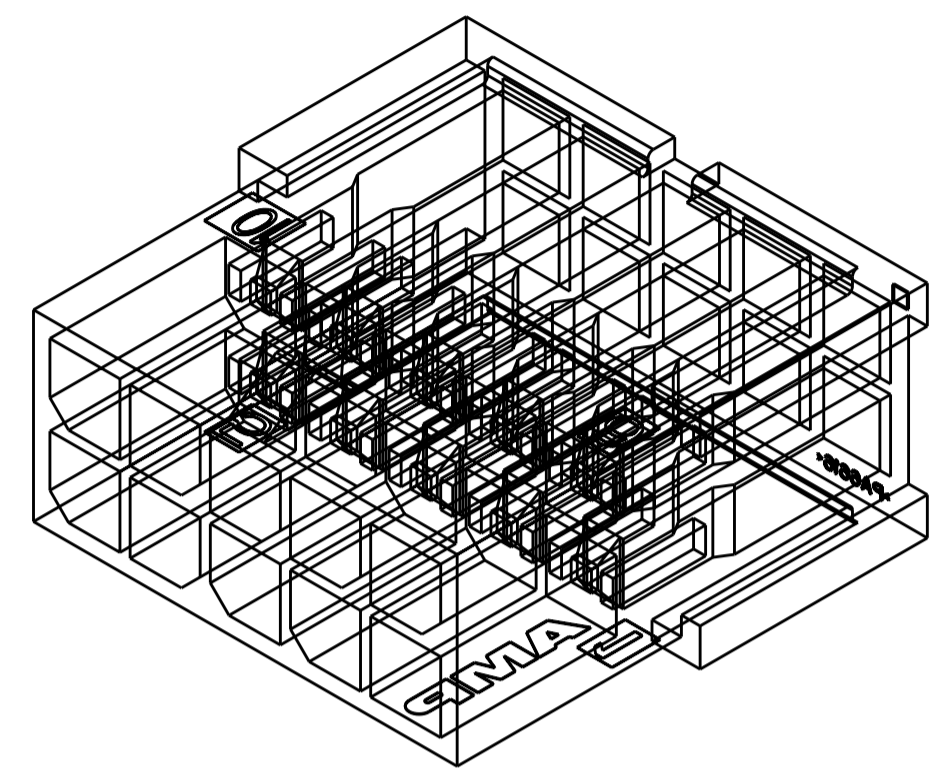
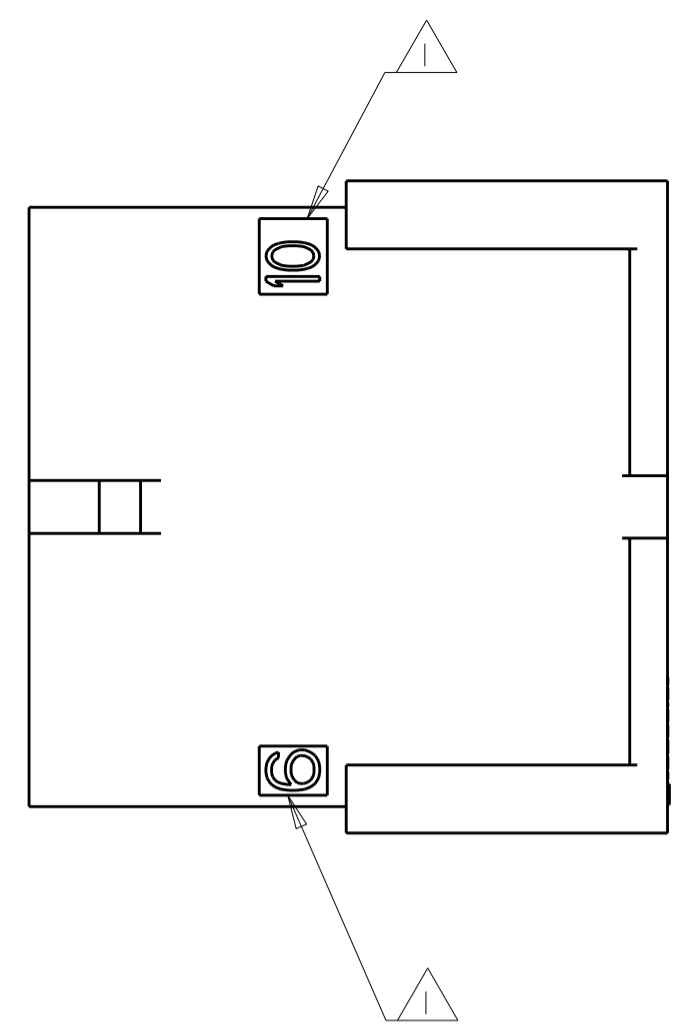
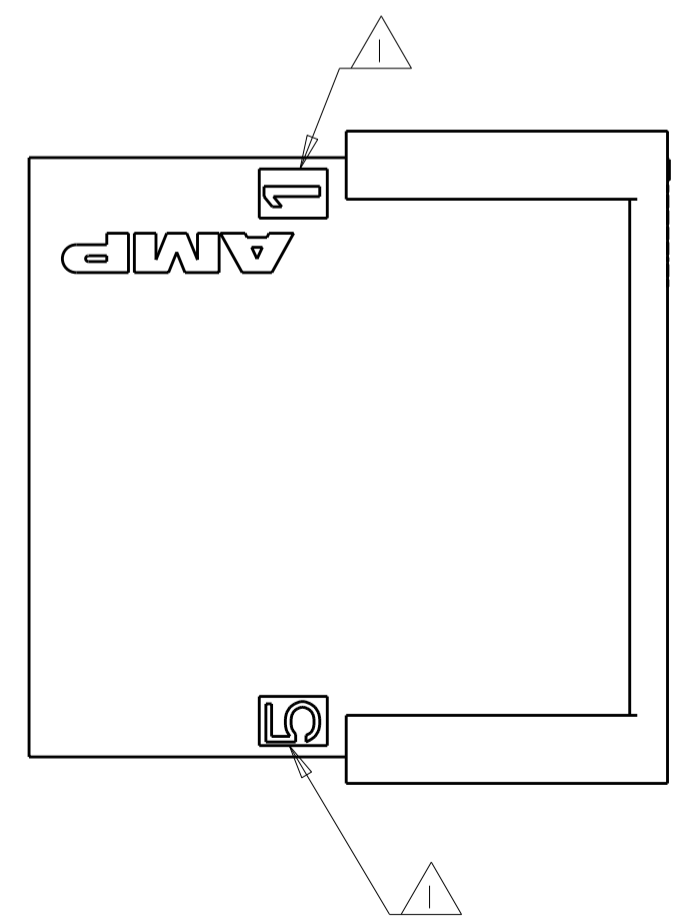
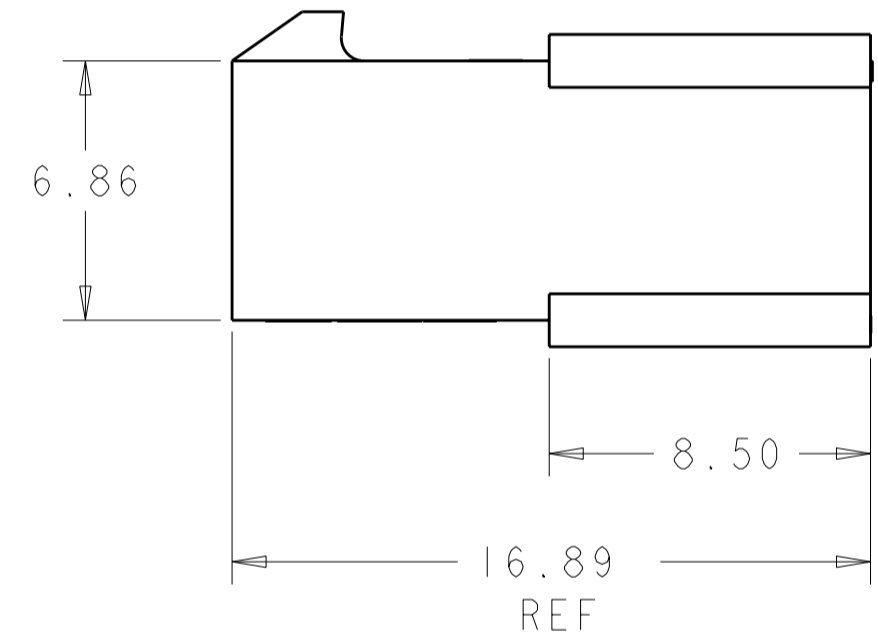
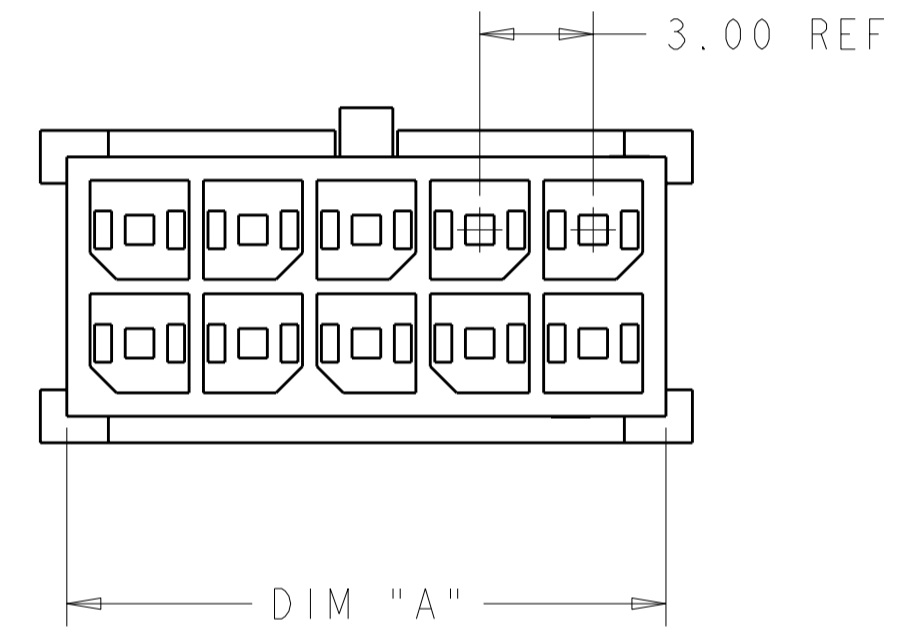


THIS DRAWING IS UNPUBLISHED. RELEASED FOR PUBLICATION 20
 © COPYRIGHT 20 BY TYCO ELECTRONICS CORPORATION. ALL RIGHTS RESERVED.

LOC	DIST	REVISIONS			
P	LTR	DESCRIPTION	DATE	DWN	APVD
	0	RELEASED PER 0G3B-0331-01	17-DEC-01	KW	CJ
	01	REVISED PER ECO-07-007163	27MAR2007	KW	CJ



SCALE 5:1



△ CIRCUIT IDENTIFIERS LOCATED APPROXIMATELY AS SHOWN.

36.85	24	2-794616-4
33.85	22	2-794616-2
30.85	20	2-794616-0
27.85	18	1-794616-8
24.85	16	1-794616-6
21.85	14	1-794616-4
18.85	12	1-794616-2
15.85	10	1-794616-0
12.85	8	794616-8
9.85	6	794616-6
6.85	4	794616-4
3.85	2	794616-2
DIM A	NO. OF POS.	PART NUMBER



<small>THIS DRAWING IS A CONTROLLED DOCUMENT FOR TYCO ELECTRONICS CORPORATION. IT IS SUBJECT TO CHANGE AND THE CONTROLLING ENGINEERING ORGANIZATION SHOULD BE CONTACTED FOR THE LATEST REVISION.</small>		DWN W J RUDY 29AUG2000 CHK W DAVIS 29AUG2000 APVD W DAVIS 29AUG2000	tyco Electronics Tyco Electronics Harrisburg, PA 17105-3608
DIMENSIONS: mm 	TOLERANCES UNLESS OTHERWISE SPECIFIED: 0 PLC ± 1 PLC ± 2 PLC ±0.13 3 PLC ± 4 PLC ± ANGLES ± FINISH -	PRODUCT SPEC - APPLICATION SPEC - WEIGHT -	NAME PLUG HOUSING, 2 to 24 POSITION DUAL ROW, FREE HANGING, MICRO MATE-N-LOK(TM) SIZE A2 CAGE CODE 00779 C=794616 DRAWING NO 794616 RESTRICTED TO -
MATERIAL NYLON, UL94V-0 BLACK	CUSTOMER DRAWING		SCALE 5:1 SHEET 1 OF 1 REV 01