

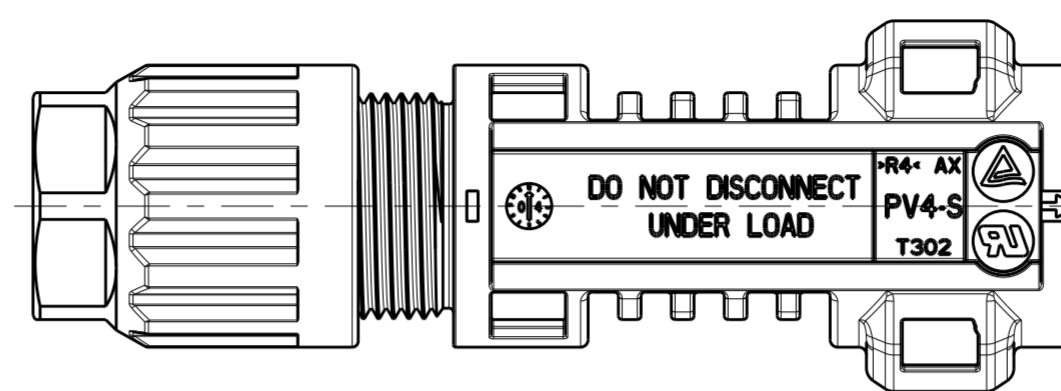
| LOC | DIST | REVISIONS | | | |
|-----|------|-------------------------------|-----------|-----|------|
| P | LTR | DESCRIPTION | DATE | DWN | APVD |
| | B | UPGRADE STANDARD TO IEC 62852 | 02JUN2017 | SG | SM |
| | B1 | UPDATED CABLE DIAMETER | 01JUN2018 | GCM | MZ |
| | B2 | REVISED DRAWING | 28SEP2018 | MZ | MZ |
| | B3 | ADDED NEW P/Ns | 25NOV2019 | MZ | PO |

1 SPECIFICATION:

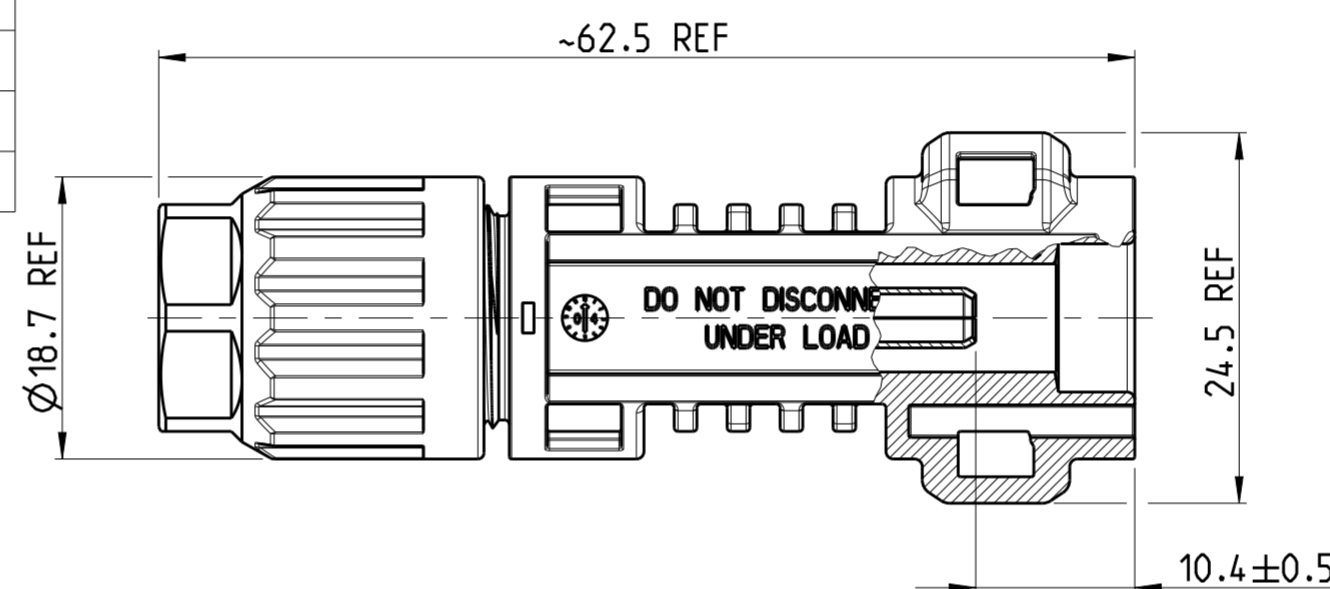
| | | | |
|---------------------------------|-------------------------------------------------------------------------|---------------------------|---------------------------|
| CABLE CONDUCTOR SIZE | 2.5MM ² /14AWG | 4.0MM ² /AWG12 | 6.0MM ² /AWG10 |
| RATED CURRENT (AT 85°C AMBIENT) | UL 15A DC TUV 35A DC | UL 20A DC TUV 40A DC | UL 30A DC TUV 45A DC |
| RATED VOLTAGE | PV4-S: UL 1000V DC / TUV 1000V DC PV4-S1: UL 1500V DC / TUV 1500V DC | | |
| DEGREE OF PROTECTION, MATED | IP 68 (1m, 24h) | | |
| AMBIENT TEMPERATURE RANGE | -40°C ~ +85°C | | |
| OVERVOLTAGE CATEGORY | III | | |
| POLLUTION DEGREE | 2 | | |
| CONTACT RESISTANCE | 0.5 mΩ | | |
| CONTACT MATERIAL | COPPER, TIN PLATED | | |
| INSULATION MATERIAL | THERMOPLASTIC, UL94-V0 | | |
| SAFETY CLASS | II | | |
| STRIP LENGTH | 6.5 mm | | |
| CABLE JACKET DIAMETER | TUV: 5.0-7.8 mm / UL: 5.5-7.8 mm | | |

2 CONTACT SHOWN UNINSTALLED, FOR REFERENCE ONLY

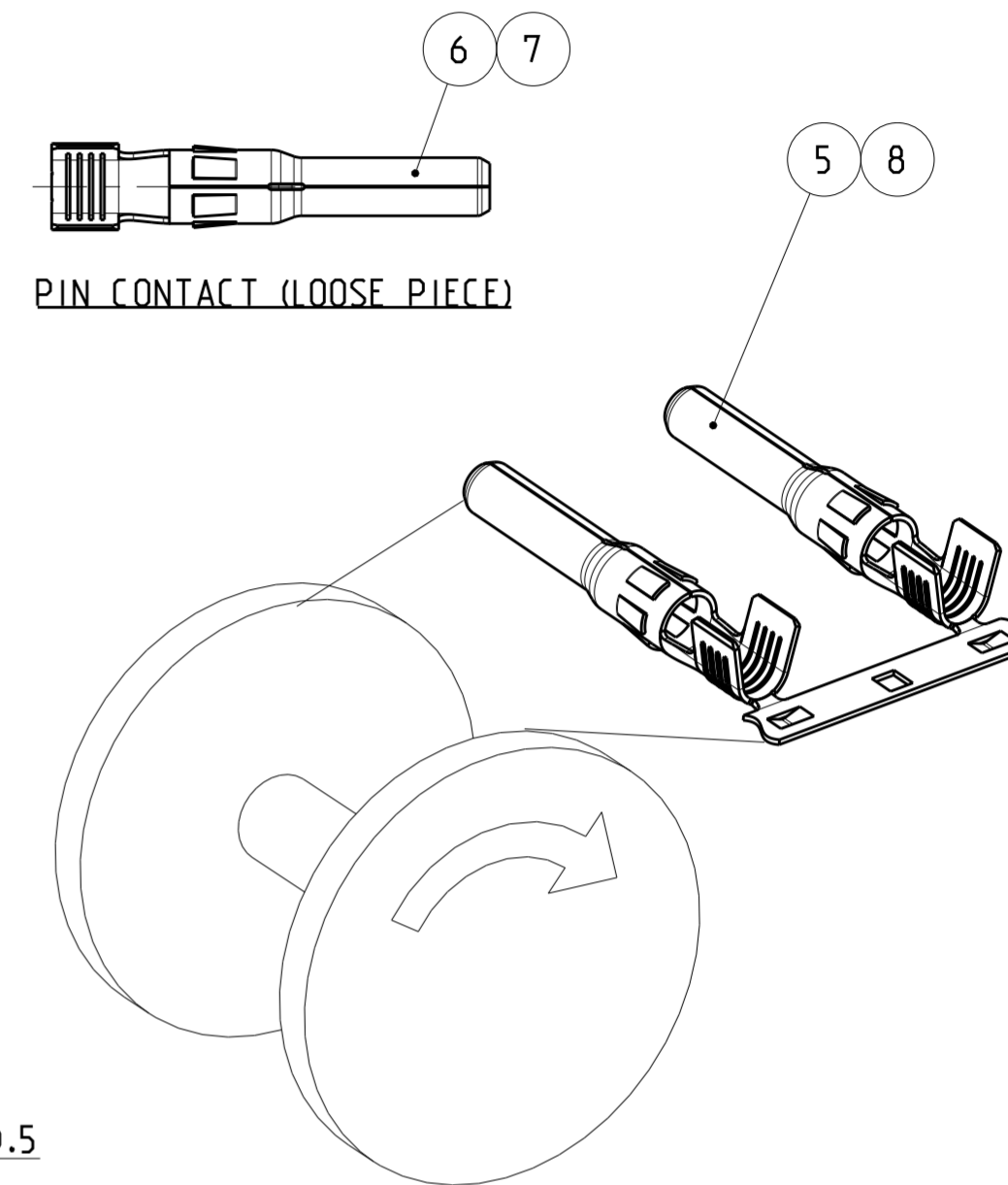
3 USE ONLY CRIMPING TOOL OF TE CONNECTIVITY TO CRIMP CONTACT:
 A. CRIMPING TOOL PN 6-1579014-9 WILL BE USED FOR CRIMPING THE CONTACTS HAVING WIRE SIZE 2.5mm² AND 4.0mm²
 B. CRIMPING TOOL PN 6-1579014-8 WILL BE USED FOR CRIMPING THE CONTACTS HAVING WIRE SIZE 4.0mm² AND 6.0mm²



PREASSEMBLED VIEW AS SHOWN



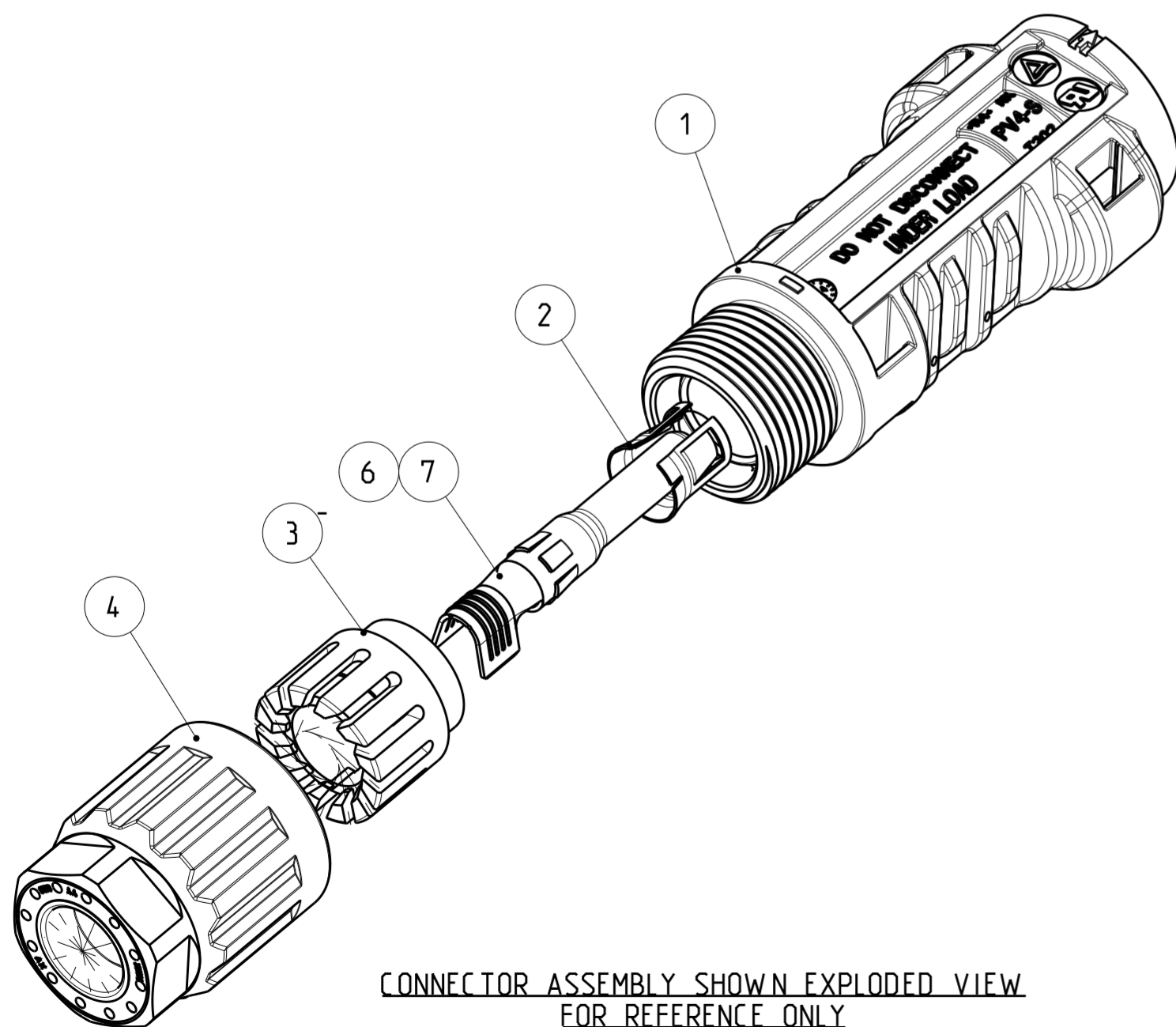
ASSEMBLED VIEW AS SHOWN



PIN CONTACT (LOOSE PIECE)

STRIP CONTACT COME OFF TO ASSEMBLY
 2000 PCS CONTACTS MOUNTED REEL
 REEL TYPE SUBJECT TO ALTERNATION

-1 AS SHOWN



CONNECTOR ASSEMBLY SHOWN EXPLODED VIEW FOR REFERENCE ONLY

| 4- -3 | 4- -1 | 3- -3 | 3- -1 | 2- -3 | 2- -1 | 1- -3 | 1- -1 | -3 | -1 | PART NUMBER | ITEM No |
|----------------------------------|-------|-------|-------|-------|-------|-------|-------|----|----|---------------------------------------------------------|---------|
| 1000 | 2000 | 1000 | 2000 | 100 | 2000 | 1000 | | | | PACKAGING QTY. | |
| TUV: 5.0-7.8 mm / UL: 5.5-7.8 mm | | | | | | | | | | CABLE JACKET DIAMETER in mm | |
| 1 | - | - | - | - | - | 1 | - | - | - | PIN CONTACT, 2.5 mm ² /14AWG, STRIP | 8 |
| - | 1 | - | - | 1 | - | - | - | 1 | - | PIN CONTACT, 2.5 mm ² /14AWG, LOOSE PIECE | 7 |
| - | - | 1 | - | - | 1 | - | - | - | 1 | PIN CONTACT, 4-6 mm ² /10~12AWG, LOOSE PIECE | 6 |
| - | - | - | 1 | - | - | - | 1 | - | - | PIN CONTACT, 4-6 mm ² /10~12AWG, STRIP | 5 |
| 1 | 1 | 1 | 1 | 1 | 1 | 1 | 1 | 1 | 1 | CABLE SCREW JOINT | 4 |
| 1 | 1 | 1 | 1 | 1 | 1 | 1 | 1 | 1 | 1 | PINCH RING SEAL INMOLDED, ASSY | 3 |
| 1 | 1 | 1 | 1 | 1 | 1 | 1 | 1 | 1 | 1 | METAL CLIP | 2 |
| 1 | 1 | 1 | 1 | 1 | 1 | 1 | 1 | 1 | 1 | PV4-S1 PIN CONNECTOR | 1 |
| QUANTITY PER ASSEMBLY | | | | | | | | | | DESCRIPTION | |

THIS DRAWING IS A CONTROLLED DOCUMENT.

| | | | |
|----------------|----------------------------------------|------------------------------|------------------------------------------------------------------|
| DIMENSIONS: mm | TOLERANCES UNLESS OTHERWISE SPECIFIED: | DWN: WANG LORRY 13JUN2014 | TE Connectivity |
| | | CHK: TAO DANIEL 13JUN2014 | |
| | | APVD: PETER YIN 13JUN2014 | |
| | | PRODUCT SPEC: 108-137077 | |
| MATERIAL | FINISH | APPLICATION SPEC: 114-137077 | NAME: PIN CONNECTOR KITS PV4-S1 CONNECTOR, PV4-S1M* |
| | | WEIGHT: - | SIZE: A2 CAGE CODE: 00779 DRAWING NO: C-2270024 RESTRICTED TO: - |
| | | CUSTOMER DRAWING | SCALE: 2:1 SHEET 1 OF 1 REV: B3 |