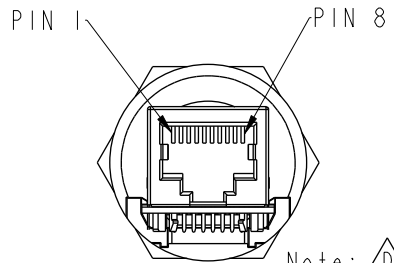
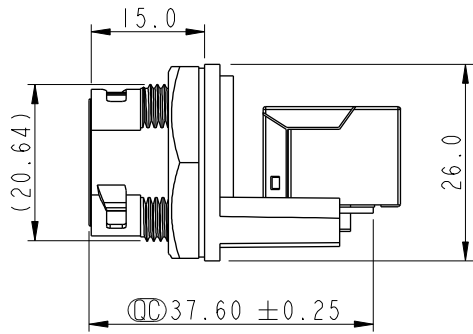
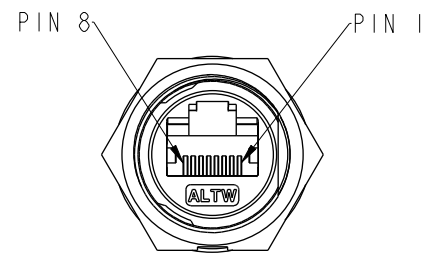
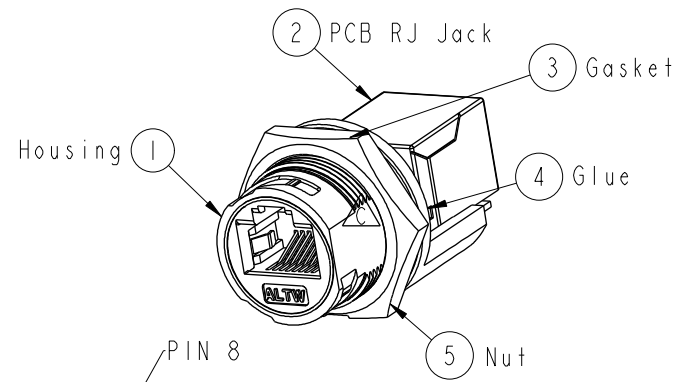
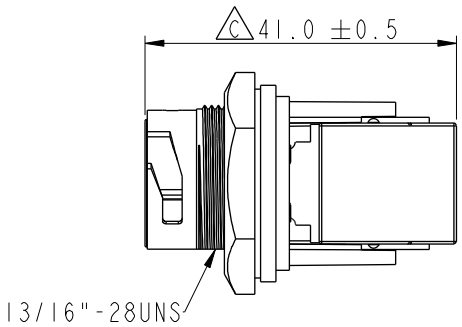
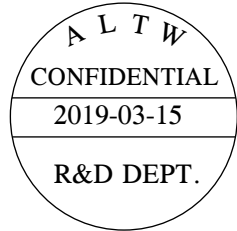
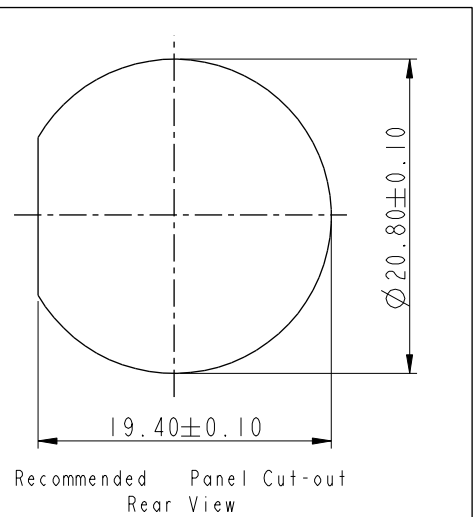


REV.	ECN NO.	DATE	SIGN	DESCRIPTION
C	LEN1440159	2014-04-15	Tom_gu	Change D Cut
D	CI90405	2019/03/15	Ruru	Modify Note



- Note: \triangle
- * CC Important Dimension
 - * Waterproof Rate : IP67, Unmated
 - * Housing: Thermoplastic, Black
 - * Nut: Thermoplastic, Black
 - \triangle * Gasket: Rubber, Gray
 - * PCB: FR-4
 - * Jack : Thermoplastic
 - \triangle * Use without Waterproof cap or Dust cap
For Panel Thickness Max: 4.2mm
 - * Use with Waterproof cap or Dust cap
For Panel Thickness Max: 3.0mm
 - \triangle * Screw torsion value range: 8~12kgf-cm
 - * Gasket and Nut are packed separately
in PE bags.



UNIT : mm		TITLE		ITEM NO		DRAWN BY		DATE					
		RJ45,C SIZE,WATERPROOF		RCP-5SPFFH-TCU7001		Ruru		2019-03-15					
		SCALE 1:1		SIZE A4		SHEET 1 OF 1		CHECKED BY Rita		DATE 2019-03-15			
		REV. D		WC-REV. B.3		CC : Inspection item		APPROVED BY Max		DATE 2019-03-15			
TOLERANCE		REV. D		WC-REV. B.3		CC : Inspection item		CUSTOMER ALTW		APPROVED BY Max		DATE 2019-03-15	
.X ±0.25													
.XX ±0.1													
.XXX ±0.05													
ANGLES ±1°													

Amphenol LTW
安費諾亮泰企業股份有限公司

THIS DOCUMENT IS SUBJECT TO CHANGE WITHOUT NOTICE. IT IS CONFIDENTIAL AND A PROPERTY OF Amphenol LTW. DISCLOSURE TO THIRD PARTY HAS TO BE AUTHORIZED BY Amphenol LTW.