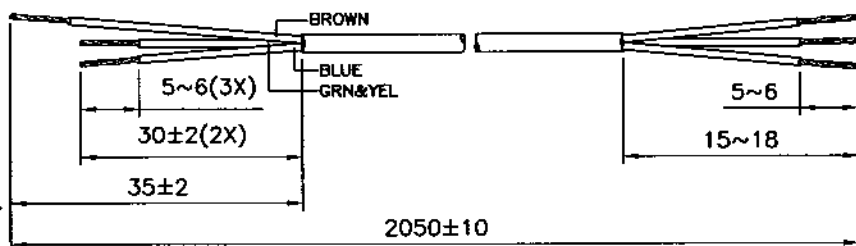


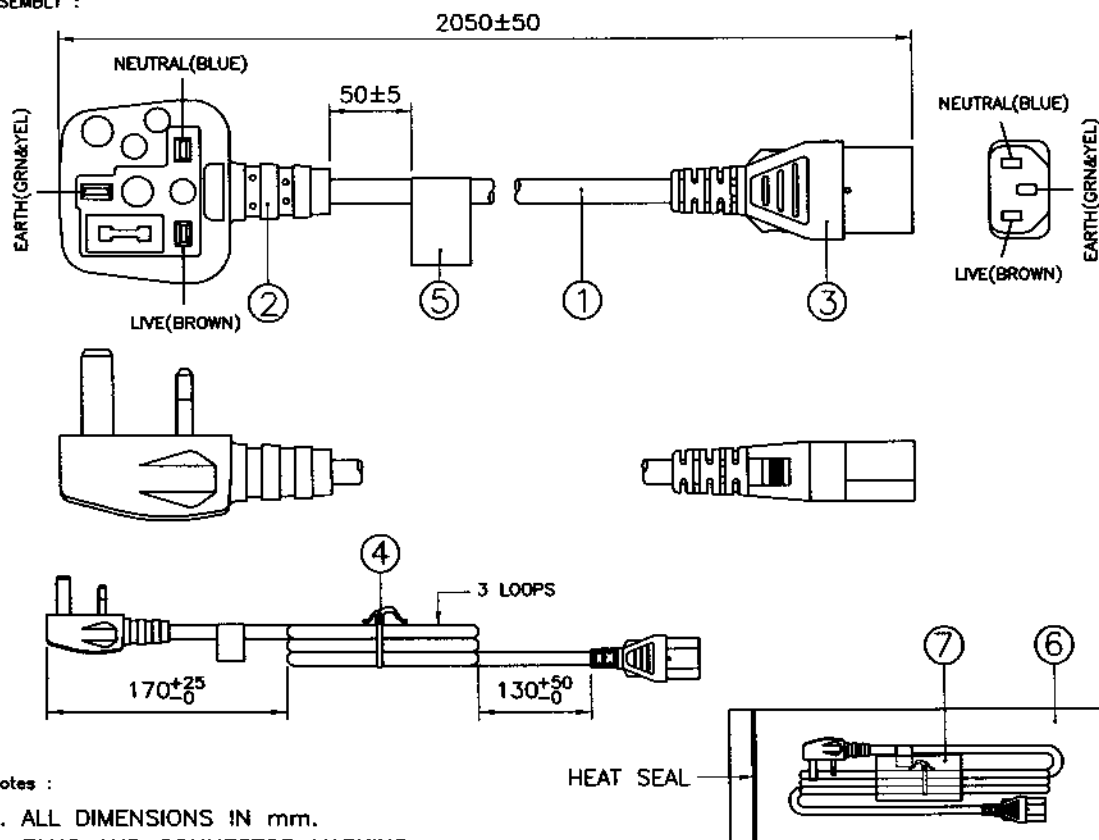
DRAWING NUMBER: REVISION:
 1000201 H

CABLE CUTTING
 CABLE SOURCE :

1. BAO HING(SHENZHEN).
2. TONG YUAN(SHENZHEN).
3. TA HSING(SHENZHEN)



ASSEMBLY :



Notes :

1. ALL DIMENSIONS IN mm.
2. PLUG AND CONNECTOR MARKING :
 REFER TO MARKING DRAWING NO. : VP-0401 AND VC-0402 RESPECTIVELY.
3. PLUG AND CONNECTOR DETAILS :
 REFER TO PRODUCT DRAWING NO. : P-0013 AND C-0063 RESPECTIVELY.
4. THIS PART CAN BE MANUFACTURED AT ANY LOCATION WHICH HAS SAFETY APPROVAL.

REV.	ECR REF. NO.	DESCRIPTION	DATE
G	080541	ADD IN FUSE ITEM NO. '6210014' IN BOM. ADD IN BOM OF PACKAGING MATERIALS ON PAGE 2.	21/04/08
H	090779	ADD IN CABLE SOURCE 'TA HSING(SHENZHEN)' AS SHOWN.	05/06/09



7	LS2 45X25MM 426-395 LABEL	6100499	1
6	114MMX283MMX0.05MM PE BAG	904028	1
5	LABEL PE WARNING 3C 728641 YEL	6100095	1
4	6" PE TIE WHT	6310055	1
3	IP60G NL21015B STD WHT	4100191	-
	MOLDED CONNECTOR V1625 (10A 250V)	V1625	1
2	FUSE 13A (CAP WITH NICKEL PLATING)	6210014	OR
	FUSE 13A	6210002	1
	IP60G NL21015B STD WHT	4100191	-
1	MOLDED PLUG MP5004 (13A 250V)	MP5004-3	1
	H05VV-F 3X1.00 21015 WHT PVC LEAD		
1	FREE	1210645	2.05M

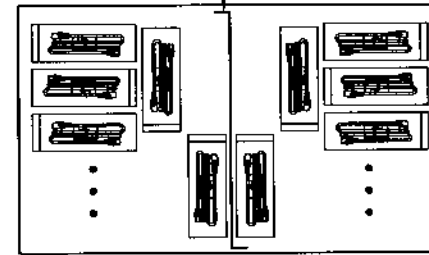
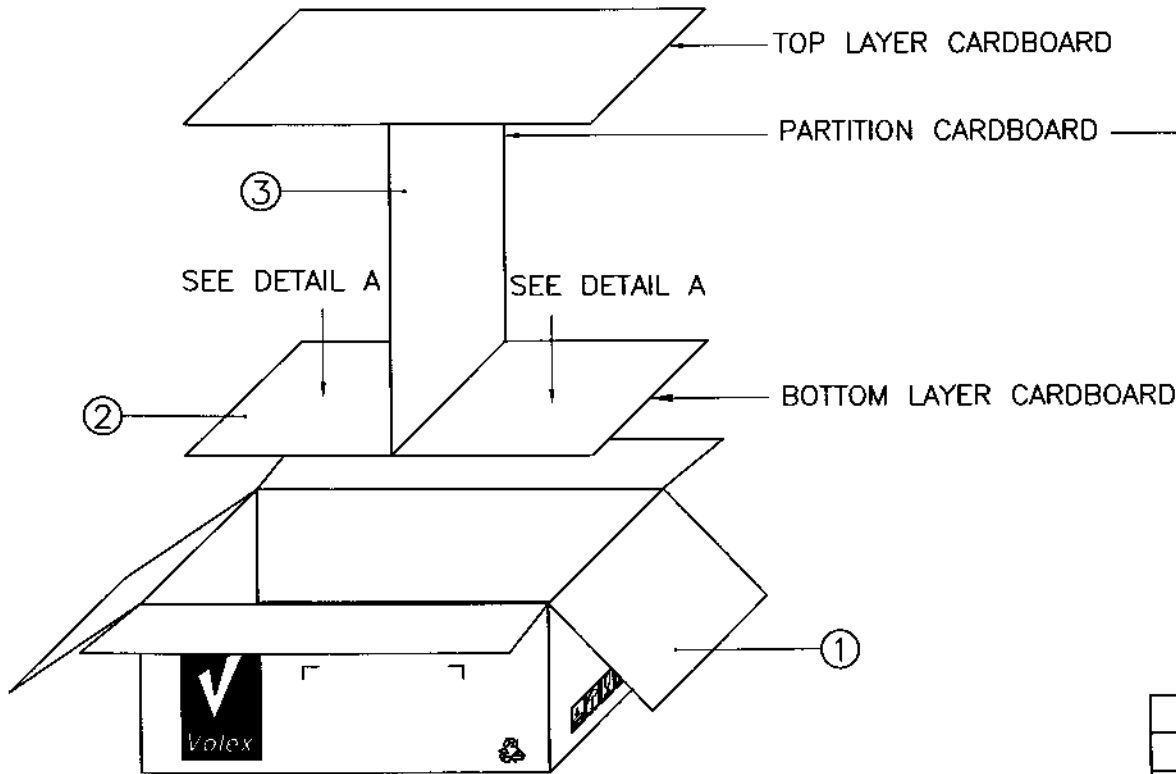
S/N	DESCRIPTION	ITEM NUMBER	QTY
TITLE : BRITISH POWER SUPPLY CORDSET (CS-LF0001)		PAGE : 1/2	
CUSTOMER : VE / RS COMPONENTS		SG07-310-02	
CUSTOMER PART NUMBER : 426 395 0001		DWG. TYPE	
F/G CODE : 426 395 0001		SPEC NO. : ---	
SALES :	QA :	ENGRG :	CHECKED BY :
-	-	Wang	✓
DATE :	DATE :	DATE :	DATE :
-	-	9/6/09	9/6/09
			05/06/09

DRAWING NUMBER :

1000201

PACKAGING INSTRUCTION

1. 2 COMPARTMENTS PER CARTON, 30 PCS PER COMPARTMENT.
2. PLUG'S DIRECTION TO BE IN ALTERNATE ARRANGEMENT WHEN PACKING.
3. PACKAGING : 60 PCS PER CARTON.



DETAIL A

NOTE :

1.) ALL DIMENSIONS IN mm.

3	CARTON PAPER 415X245MM	901023	0.0167
2	21 7/8"X12",V-1 CTN PAPER	901024	0.0334
1	V-1 C/BOX 22 1/8X12 3/4X10 1/8	901011	0.0167
S/N	DESCRIPTION	ITEM NUMBER	QTY

REVISION	H	TITLE : PACKAGING SPEC.
PAGE	2/2	
SCALE	N.T.S.	

REFERENCE :	Volex
DESCRIPTION : LONG CARTON	