

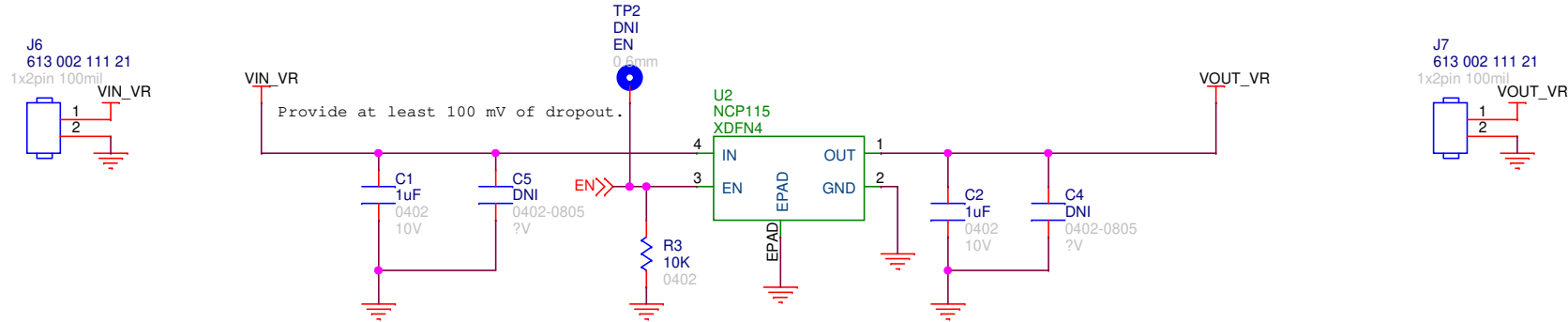


ON Semiconductor®
XDFN4 LDO

ON Semiconductor

Title XDFN4 LDO		
Size Custom	Document Number ONSEC-18-016	Rev REV1
Date:	Wednesday, January 16, 2019	Sheet 1 of 4

XDFN4 LDO CASE 711AJ



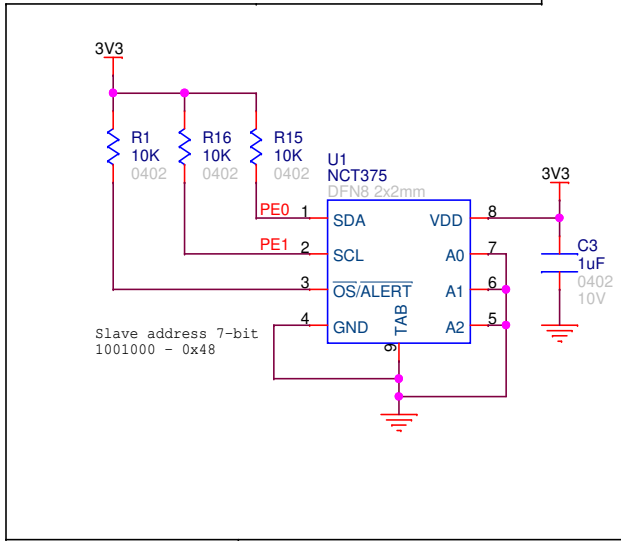
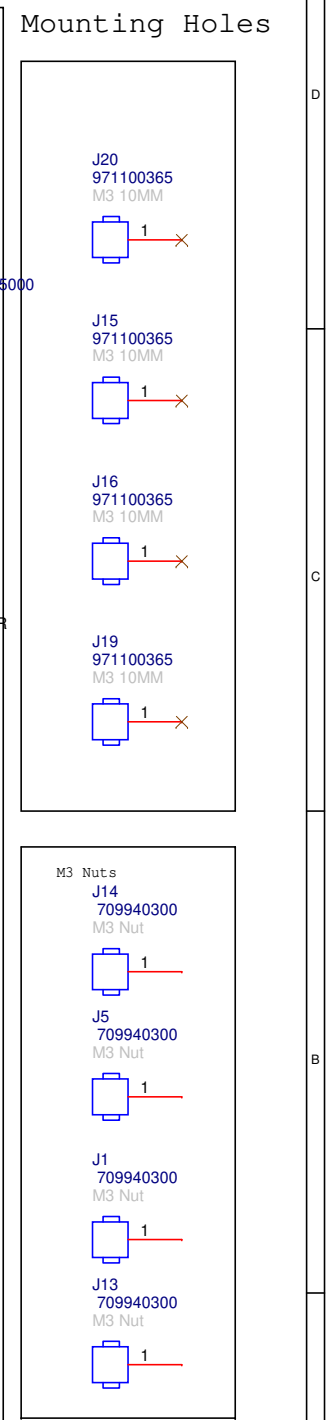
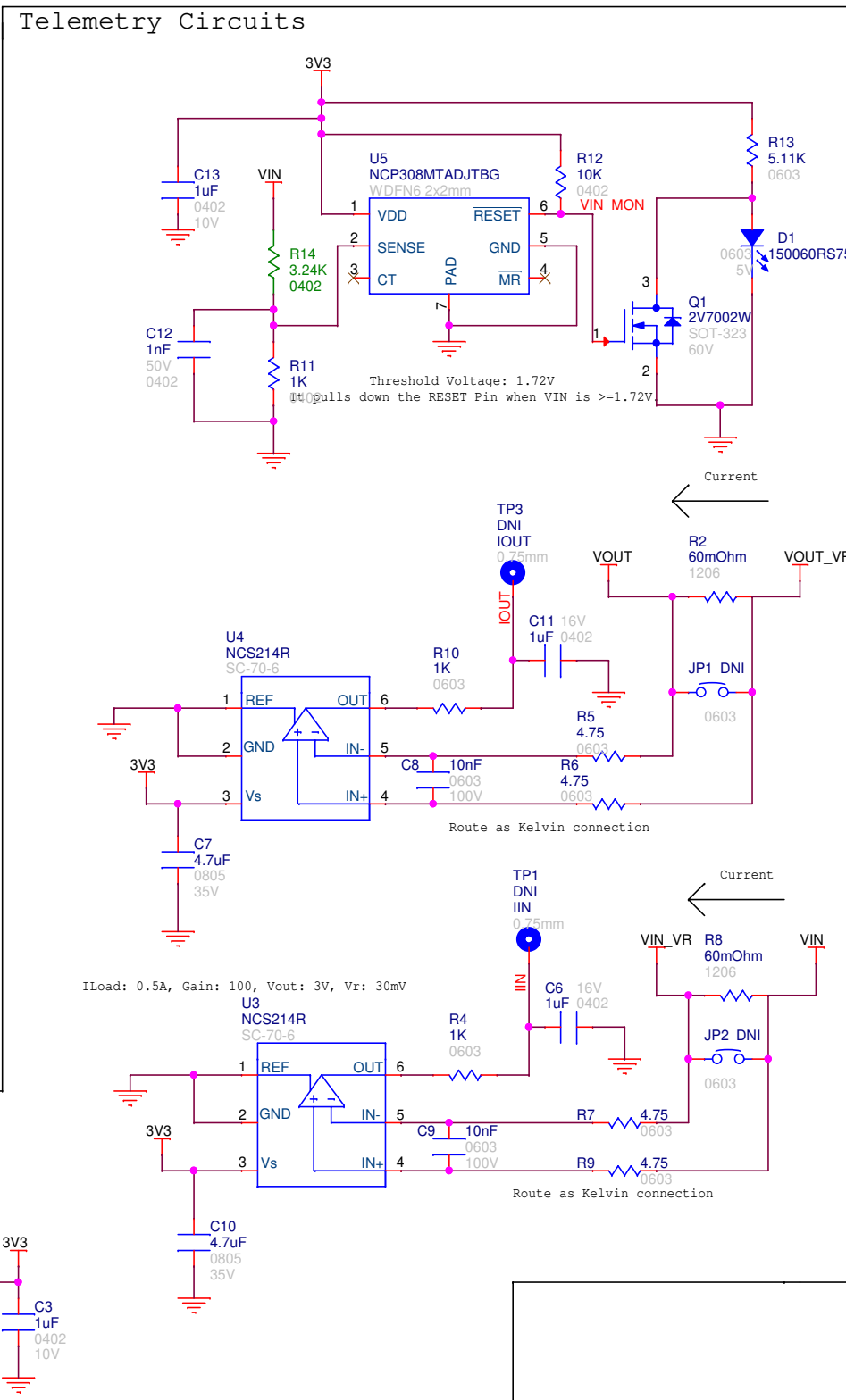
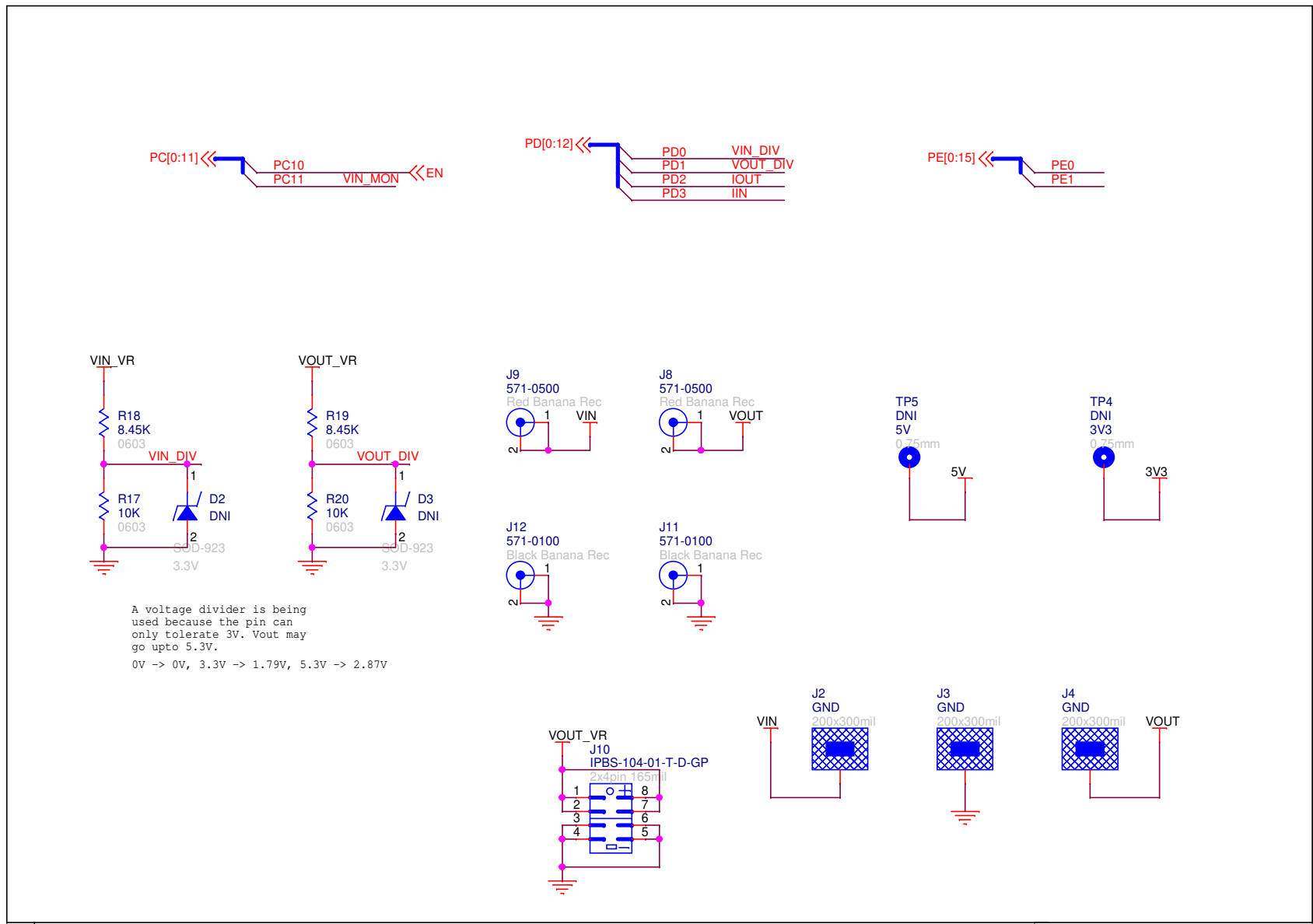
NCP115AMX330TBG
 Vout = 3.3V
 Imax = 300mA

Config A board doesn't support multiple power modes like the config B board. The parts compatible with this board are given below.

- CONFIG A LDOs: NCP110, NCP115,
 NCP177, NCV8163, NCV8177,
 NCP140, NCP160, NCP161,
 NCP163, NCP170, NCP707,
 NCP717, NCV8160, NCV8161,
 NCV8170

ON Semiconductor		
Title XDFN4 LDO		
Size Custom	Document Number ONSEC-18-016	Rev REV1
Date:	Tuesday, March 12, 2019	Sheet 2 of 4

Telemetry / Connectors



ON Semiconductor		
Title XDFN4 LDO		
Size Custom	Document Number ONSEC-18-016	Rev REV1
Date: Tuesday, March 12, 2019	Sheet 3 of 4	

