

# Profile gasket - HC-D07-SP-RBK - 1419622

Please be informed that the data shown in this PDF Document is generated from our Online Catalog. Please find the complete data in the user's documentation. Our General Terms of Use for Downloads are valid (<http://phoenixcontact.com/download>)

Profile gasket, type: D7, for pin inserts



## Key Commercial Data

Packing unit	10 pc
Minimum order quantity	10 pc
GTIN	
GTIN	4055626180052
Weight per Piece (excluding packing)	0.670 g
Custom tariff number	40169300
Country of origin	Germany

## Technical data

### Dimensions

Height	2.45 mm
Width	23.7 mm
Length	23.7 mm

### General

Note	for HC-A03-I-UT-M / HC-A04-I-CT-F / HC-D 7-I-CT-M / HC-D 8-I-CT-M / HC-Q05-I-CT-M
Color	black
Material	NBR
Seal material	NBR, conductive

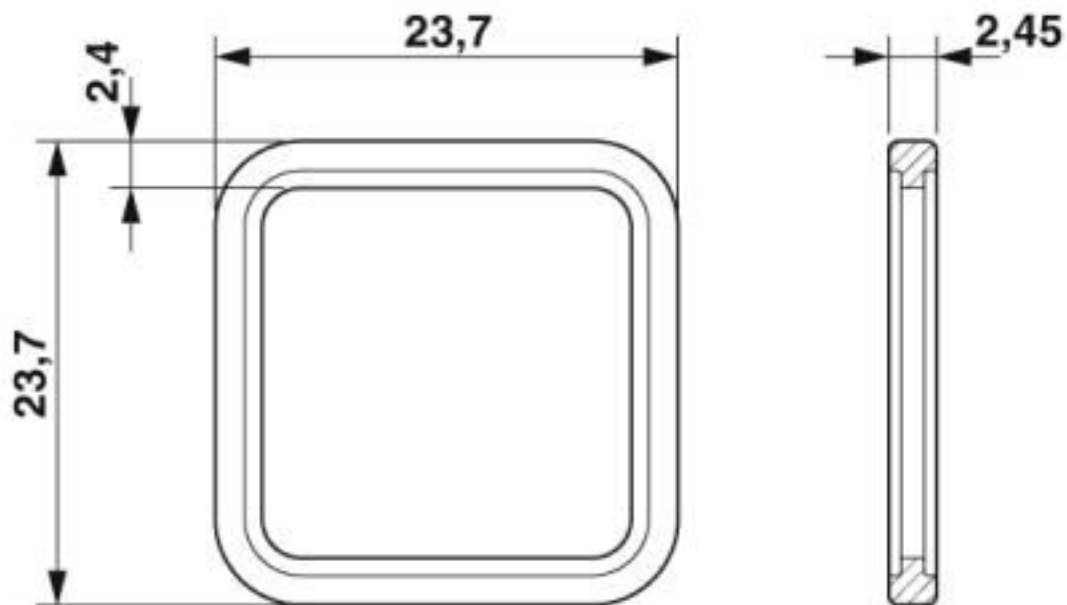
### Environmental Product Compliance

China RoHS	Environmentally friendly use period: unlimited = EFUP-e
	No hazardous substances above threshold values

# Profile gasket - HC-D07-SP-RBK - 1419622

## Drawings

Dimensional drawing



Dimensional drawing

## Classifications

### eCl@ss

eCl@ss 10.0.1	23071590
eCl@ss 5.1	23079901
eCl@ss 6.0	23071500
eCl@ss 7.0	23071590
eCl@ss 8.0	23071590
eCl@ss 9.0	23071590

### ETIM

ETIM 5.0	EC001181
ETIM 6.0	EC001181
ETIM 7.0	EC001181

### UNSPSC

UNSPSC 13.2	39131608
UNSPSC 18.0	31401601
UNSPSC 19.0	31401601
UNSPSC 20.0	31401601
UNSPSC 21.0	31401601

## Profile gasket - HC-D07-SP-RBK - 1419622

### Approvals

Approvals

---

Approvals

EAC

---

Ex Approvals

---

### Approval details

EAC		RU C- DE.AI30.B.01102
-----	---	--------------------------

---