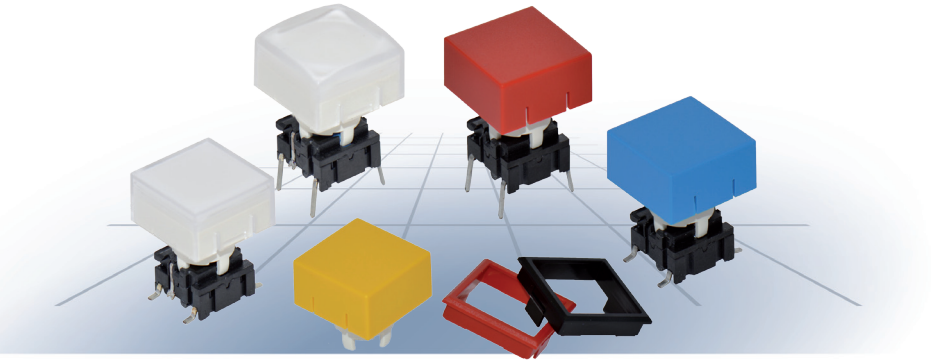
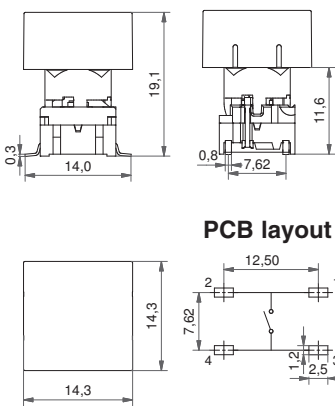


### Technical Data:

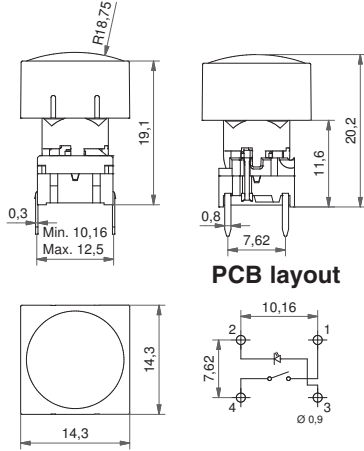
- through-hole or SMD
- 50mA/24VDC
- single pole/momentary
- 10.000.000 operations lifetime
- IP67 sealing
- temp. range: switch: -40/+160°C  
LED: -30/+85°C  
solid keycap: -40/+65°C  
transparent keycap: -40/+85°C
- actuation force: 2.0, 3.5, 6.5 N



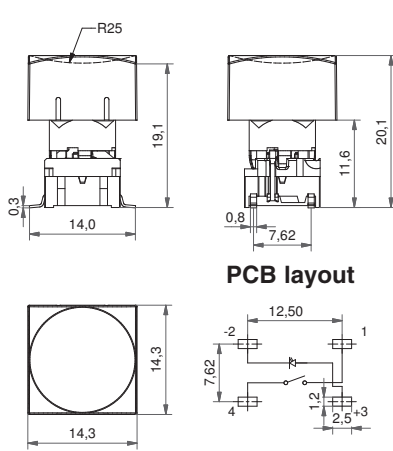
### Dimensions (SMD) + 1KS



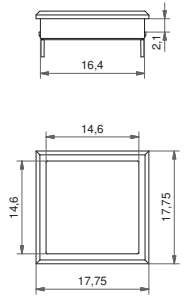
### Dimensions (TH w/LED) + 1KBS



### Dimensions (SMD w/LED) + 1KCS



### Dimensions (Bezel) (optional)



### HOW TO ORDER illuminated

<b>5 G</b>	<input type="checkbox"/>	<input type="checkbox"/>	<input type="checkbox"/>	<input type="checkbox"/>	+	<input type="checkbox"/>	<input type="checkbox"/>	<input type="checkbox"/>	<input type="checkbox"/>	<input type="checkbox"/>	<input type="checkbox"/>	+	<input type="checkbox"/>	<input type="checkbox"/>	<input type="checkbox"/>	<input type="checkbox"/>	<input type="checkbox"/>	<input type="checkbox"/>	<input type="checkbox"/>	
<b>Switch</b>	<b>Mounting</b>	<b>Actuation force</b>	<b>LED</b>	<b>Cap frosted white</b>		<b>1 1 1 6</b>		<b>2 K</b>						<b>03</b>	<b>06</b>	<b>08</b>	<b>09</b>			
	TH9 through-hole SH9 surface mount	20 35 65 Q*	01 blue 22 green 42 yellow 61 white 82 red 2242 green/yellow 8222 red/green 8242 red/yellow																	

### HOW TO ORDER non-illuminated

<b>5 G</b>	<input type="checkbox"/>	<input type="checkbox"/>	<input type="checkbox"/>	<input type="checkbox"/>	+	<input type="checkbox"/>	<input type="checkbox"/>	<input type="checkbox"/>	<input type="checkbox"/>	<input type="checkbox"/>	<input type="checkbox"/>	<input type="checkbox"/>	+	<input type="checkbox"/>	<input type="checkbox"/>	<input type="checkbox"/>	<input type="checkbox"/>	<input type="checkbox"/>	<input type="checkbox"/>	
<b>Switch</b>	<b>Mounting</b>	<b>Actuation force</b>	<b>Cap</b>	<b>Colour code</b>		<b>1 K S</b>	<b>1 6</b>		<b>2 K</b>					<b>00</b>	<b>02</b>	<b>03</b>	<b>04</b>	<b>06</b>	<b>08</b>	<b>09</b>
	TH9 through-hole SH9 surface mount	20 35 65 Q*	1KS	00 blue 02 green 03 grey 04 yellow 06 white 08 red 09 black																

\*Quiet version only available for actuation force 2.0N (20) and the letter Q is added to the end of the switch part number. See the ordering example.

See colour codes on our website: [www.mec.dk](http://www.mec.dk)

**Ordering example:** 5GTH93501+1KCS1116+2K09 with illumination  
5GSH965+1KS09+2K03 without illumination  
\*5GTH92082Q with illumination+ 1KCS1116 (quiet version)

For updates of products and/or changes of specifications please see [www.mec.dk](http://www.mec.dk)

Dimensions (mm) Unless otherwise specified, all tolerances +/- 0,2