

IEC Appliance Inlet C14 with Line Switch 1-pole



Description

- Panel Mount:
Screw-on version from front or rear side, snap-in version from front side
- 2 Functions:
Appliance Inlet Protection class I, Line Switch 1-pole
- Quick connect terminals 4.8 x 0.8 mm

Approvals

- VDE Certificate Number: 40021941
- UL File Number: E96454
- CSA File Number: 38456
- CCC File Number: 2013010204598500

Characteristics

- All single elements are already wired
Unwired versions available on request
- Line switch non-illuminated or illuminated

Other versions on request

- Unwired versions
- Line switch with other rocker marking
- For protection class II

References

Alternative: version with line filter [KFB1](#)
We recommend for new applications the new type [DC11](#)

Weblinks

[pdf-datasheet](#), [html-datasheet](#), [General Product Information](#), [Approvals](#), [CE declaration of conformity](#), [RoHS](#), [CHINA-RoHS](#), [REACH](#), [Mating Connectors](#), [e-Shop](#), [SCHURTER-Stock-Check](#), [Distributor-Stock-Check](#), [CAD-Drawings](#), [Accessories](#), [Detailed request for product](#)

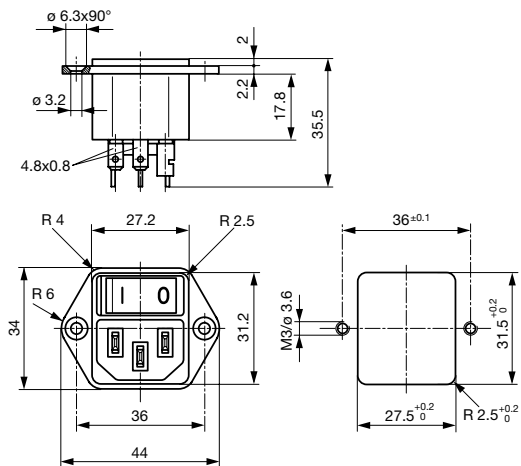
Technical Data

| | |
|---------------------------|--|
| Ratings IEC | 10A / 250VAC; 50Hz |
| Ratings UL/CSA | 10A / 250VAC; 60Hz |
| Dielectric Strength | > 3kVAC between L-N > 4kVAC between L/N-PE (1 min/50Hz) |
| Allowable Operation Temp. | -25 °C to 70 °C |
| Degree of Protection | from front side IP 40 acc. to IEC 60529 |
| Protection Class | Suitable for appliances with protection class I acc. to IEC 61140 |
| Terminal | Quick connect terminals 4.8 x 0.8 mm |
| Panel Thickness s | Screw: max 6 mm Mounting screw torque max 0.5 Nm Snap-in: 1.5/2/2.5 mm |
| Material: Housing | Thermoplastic, black, UL 94V-0 |

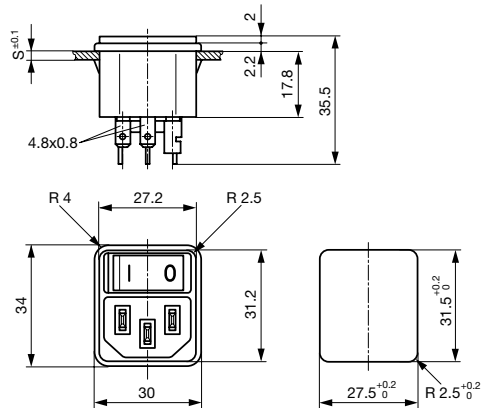
| | |
|-----------------|---|
| Appliance Inlet | C14 acc. to IEC 60320, UL 498, CSA C22.2 no. 42 (for cold conditions) pin-temperature 70 °C, 10A, Protection Class I |
| Line Switch | Rocker switch 1-pole, non-illuminated or illuminated red, acc. to IEC 61058-1 Technical Details |

Dimensions

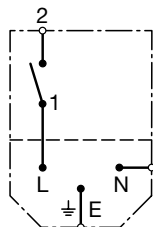
Screw-on mounting



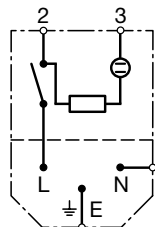
Snap-in mounting



Diagrams



non-illuminated



illuminated

All Variants

| Panel mounting | Panel Thickness [mm] | Illumination | Color | Rated voltage 250 [V] | Rated voltage 125 [V] | Order Number |
|----------------|----------------------|--------------|-------|-----------------------|-----------------------|--------------|
| Snap-in | 1.5 | - | - | - | - | 4302.0002 |
| Snap-in | 2 | - | - | - | - | 4302.0003 |
| Snap-in | 2.5 | - | - | - | - | 4302.0004 |
| Snap-in | 1.5 | ● | red | - | 125 | 4302.0122 |
| Snap-in | 1.5 | ● | red | 250 | - | 4302.0102 |
| Snap-in | 2 | ● | red | - | 125 | 4302.0123 |
| Snap-in | 2 | ● | red | 250 | - | 4302.0103 |
| Snap-in | 2.5 | ● | red | - | 125 | 4302.0124 |
| Snap-in | 2.5 | ● | red | 250 | - | 4302.0104 |
| Screw | - | - | - | - | - | 4302.0001 |
| Screw | - | ● | red | - | 125 | 4302.0121 |
| Screw | - | ● | red | 250 | - | 4302.0101 |

Most Popular.

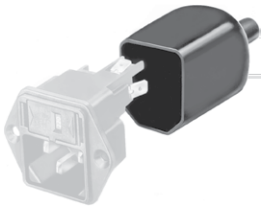
Availability for all products can be searched real-time: <http://www.schurter.com/en/Stock-Check/Stock-Check-SCHURTER>

Packaging unit

50 Pcs

Accessories

Description



Assorted Covers
Rear Cover



Cord retaining kits
Cord retaining strain relief

Mating Outlets/Connectors

Category / Description

Appliance Outlet Overview complete



| | |
|---|------|
| IEC Appliance Outlet F, Screw-on Mounting, Front Side, Solder Terminal | 4787 |
| IEC Appliance Outlet F, Snap-in Mounting, Front Side, Solder or Quick-connect Terminal | 4788 |
| IEC Appliance Outlet F or H, Screw-on Mounting, Front Side, Solder, PCB or Quick-connect Terminal | 5091 |

[Appliance Outlet further types to KEB1](#)

Connector Overview complete



| | |
|---|---------|
| IEC Connector C13, Rewireable, Straight | 4782 |
| IEC Connector C13, Rewireable, Straight | 4022 |
| IEC Connector C13, Rewireable, Angled | 4785 |
| IEC Connector C13, Rewireable, Angled | 4300-06 |
| IEC Connector C13, Rewireable, Angled | 4012 |

[Connector further types to KEB1](#) ...

Mating Outlets/Connectors shuttered



| | |
|---|---------|
| Overview Power Supply Cord with IEC Connector C13, V-Lock, straight | VAC13KS |
|---|---------|

[Power Cord further types to KEB1](#)