

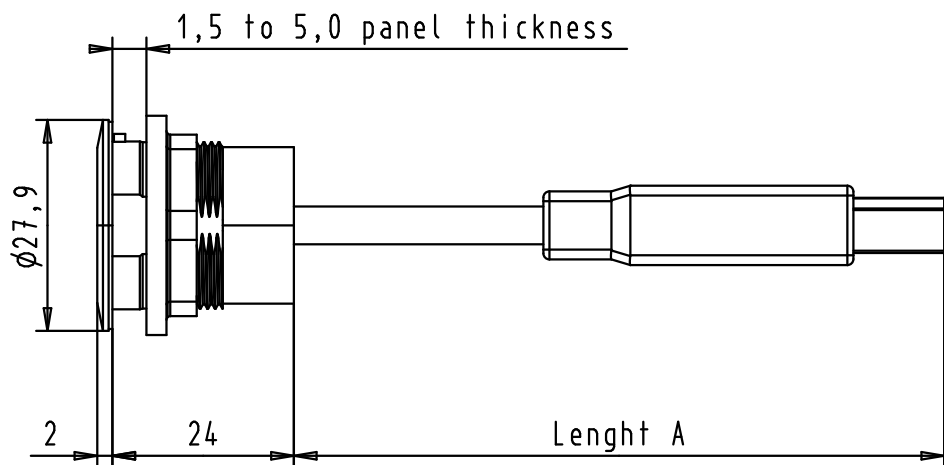
1 2 3 4 5 6

A

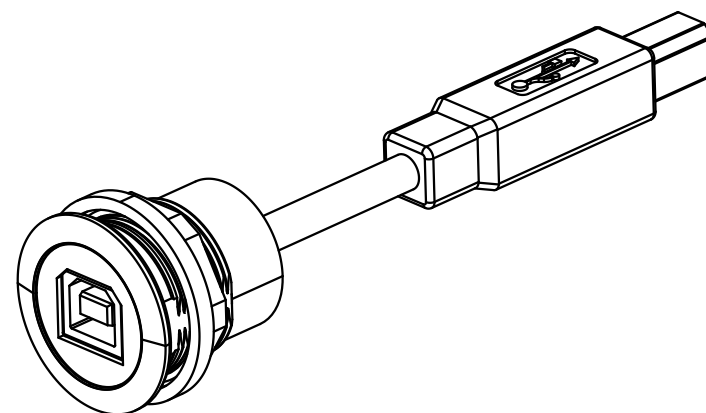
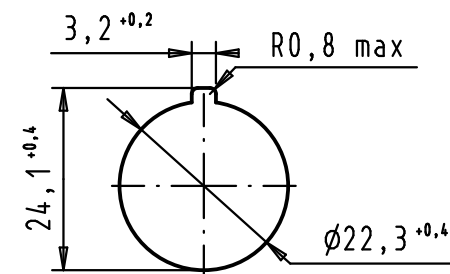
B

C



D



PANEL CUT DIMENSIONS:



Lenght A	Part number
0,5m	09 45 452 1910
1,0m	09 45 452 1911
1,5m	09 45 452 1912
2,0m	09 45 452 1913
3,0m	09 45 452 1914
5,0m	09 45 452 1915

Mod.	Dot.	Name	Dot.	Name	 All Dim. in mm Orig. Size DIN A 4	har-port USB 2.0 B-B PFT cable	Maßstab/ Scale 1:1	
			Detail.	11/JUL/11				BH
			Insp.	11/JUL/11				JB
			Stand.					
EC03387			HARTING EURL F-95972 Paris			TB 09 45 452 191x	Blatt/ Page 1 / 1	
								Sub.