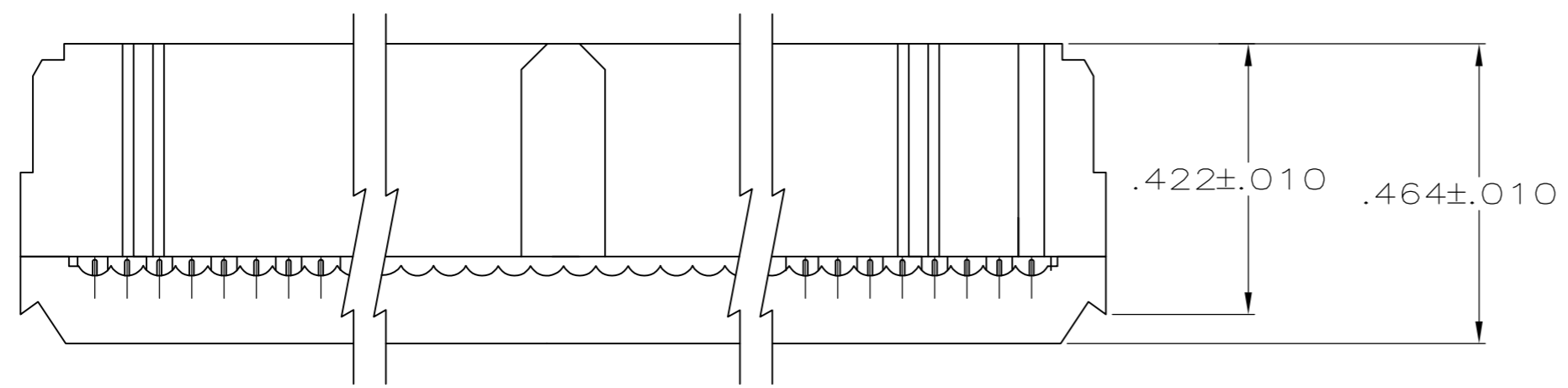


THIS DRAWING IS UNPUBLISHED. RELEASED FOR PUBLICATION  
 © COPYRIGHT - By - ALL RIGHTS RESERVED.

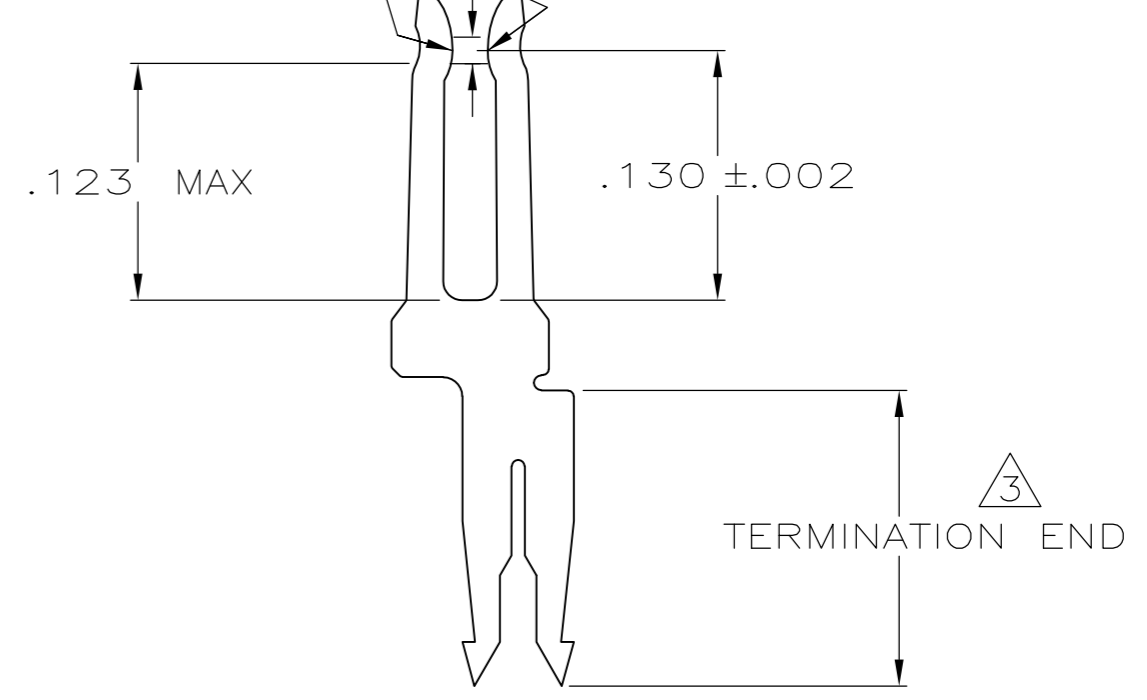
LOC		DIST		REVISIONS			
P	LTR	DESCRIPTION		DATE	DWN	APVD	
GP	00	B1	REVISED PER ECO-11-004835		11MAR11	RK	HMR

- 1 MOLDED PARTS: UL RATED 94V-0 THERMOPLASTIC, BLACK.
- 2 CONTACTS: PHOSPHOR BRONZE PER QQ-B-750.
- 3 CONTACTS: PLATED WITH .000030 MIN GOLD IN LOCALIZED GOLD PLATE AREA, .000050 MIN TIN ON TERMINATION END, ALL OVER .000050 MIN NICKEL ON ENTIRE CONTACT.  
OR  
GOLD FLASH OVER PALLADIUM-NICKEL PLATE .000030 MIN TOTAL IN LOCALIZED GOLD PLATE AREA, .000050 MIN TIN ON TERMINATION END, ALL OVER .000050 MIN NICKEL ON ENTIRE CONTACT.
- 4 POLARIZING FEATURE DOES NOT EXIST ON SAME END AS THE POSN #1 INDICATOR ON 10 AND 14 POSN PRODUCT.

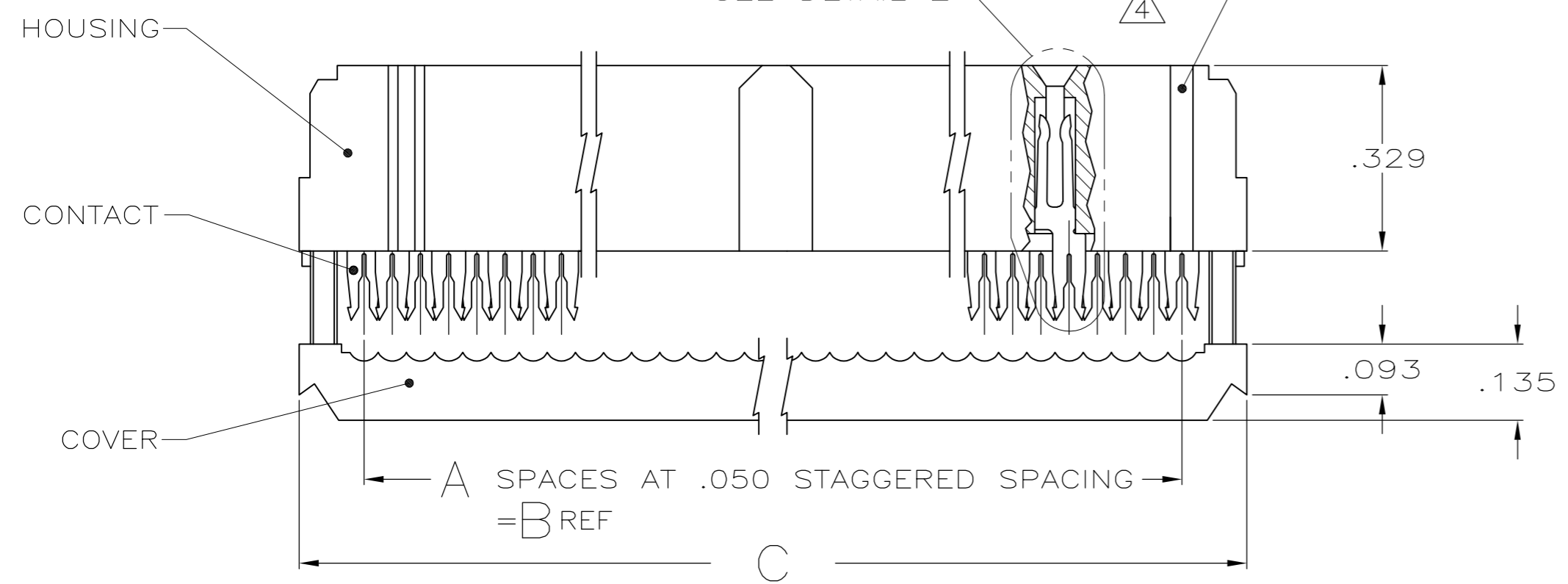
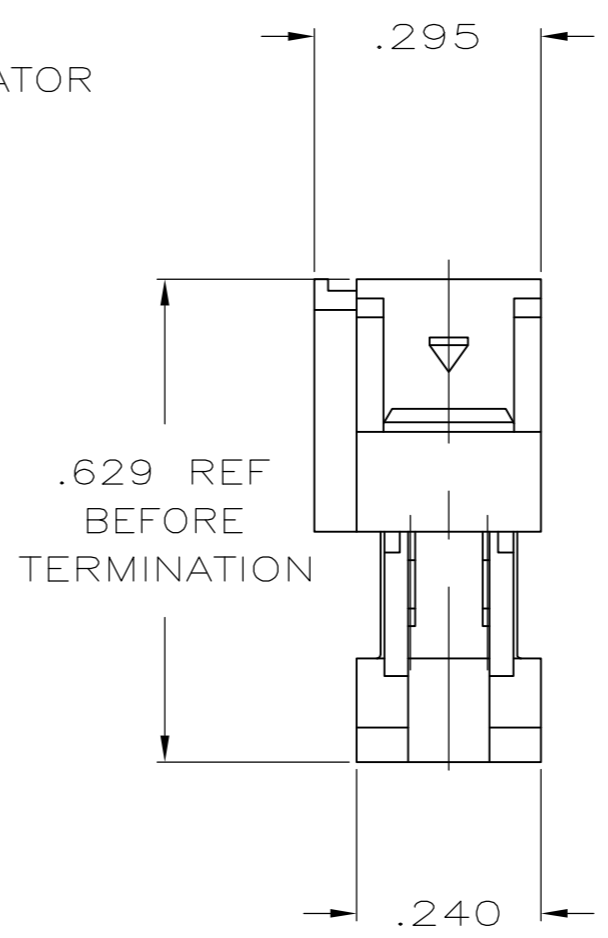
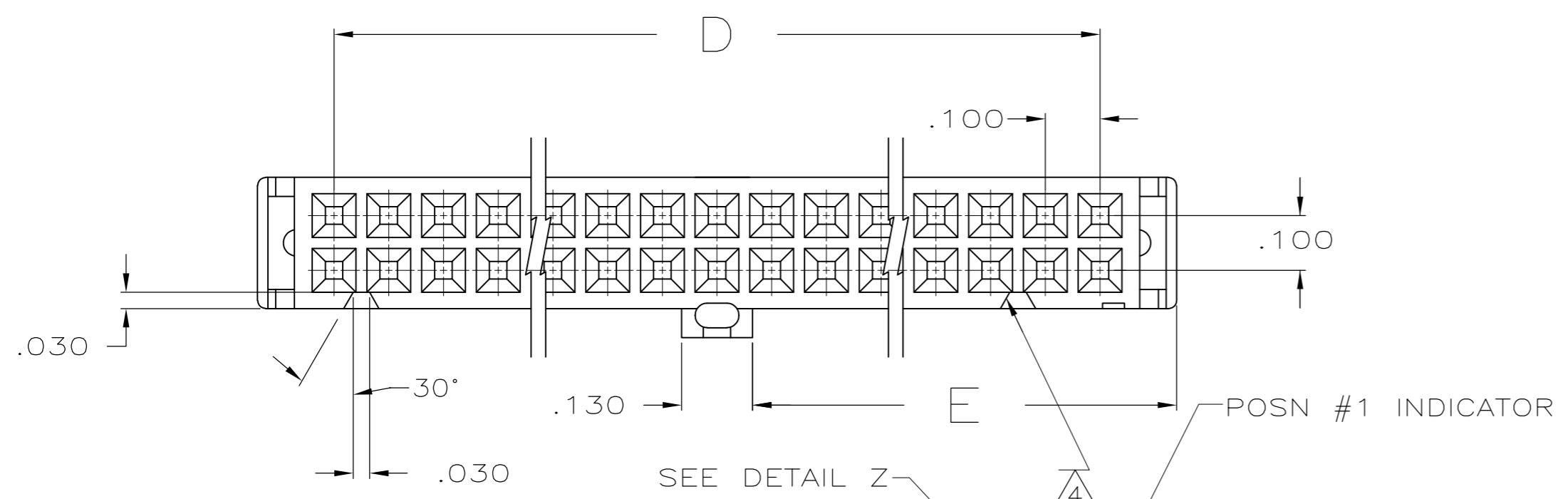


TERMINATED VIEW

LOCALIZED GOLD PLATING ON THIS SURFACE  
 .014 MIN LOCALIZED GOLD PLATE AREA 3

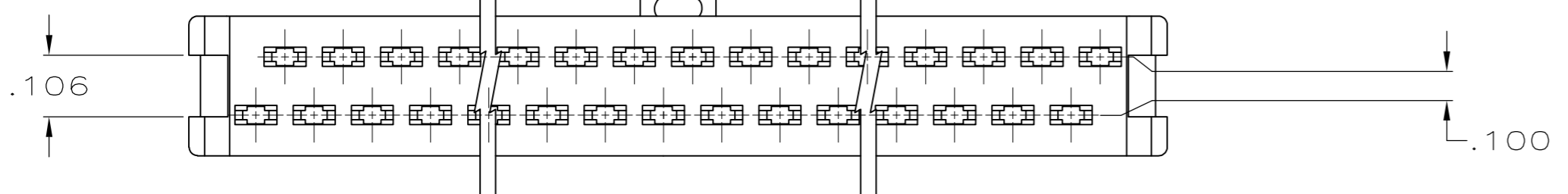


DETAIL Z  
SCALE 10:1  
TYPICAL



A SPACES AT .050 STAGGERED SPACING  
 =B REF

1.125	2.100	2.380	2.150	43	44	1-1658622-3
1.625	3.100	3.380	3.150	63	64	1-1658622-2
1.525	2.900	3.180	2.950	59	60	1-1658622-1
1.275	2.400	2.680	2.450	49	50	1-1658622-0
1.025	1.900	2.180	1.950	39	40	1658622-9
.875	1.600	1.880	1.650	33	34	1658622-8
.775	1.400	1.680	1.450	29	30	1658622-7
.675	1.200	1.480	1.250	25	26	1658622-6
.625	1.100	1.380	1.150	23	24	1658622-5
.525	.900	1.180	.950	19	20	1658622-4
.425	.700	.980	.750	15	16	1658622-3
.375	.600	.880	.650	13	14	1658622-2
.275	.400	.680	.450	9	10	1658622-1
E	D	C	B	A	NO OF POSN	PART NUMBER



THIS DRAWING IS A CONTROLLED DOCUMENT.

DWN R. SAMICK 22AUG03		RECEPTACLE ASSY, CENTER & MILITARY POLARIZATION LEAD FREE AMP-LATCH™ NOVO		
CHK C. RHODE 22AUG03		SIZE A2	CAGE CODE 00779	DRAWING NO C=1658622
APVD M. WALMSLEY 22AUG03		RESTRICTED TO	-	
PRODUCT SPEC 108-40000		SCALE 4:1	SHEET 1 of 1	REV B1
APPLICATION SPEC 114-40005	CUSTOMER DRAWING			