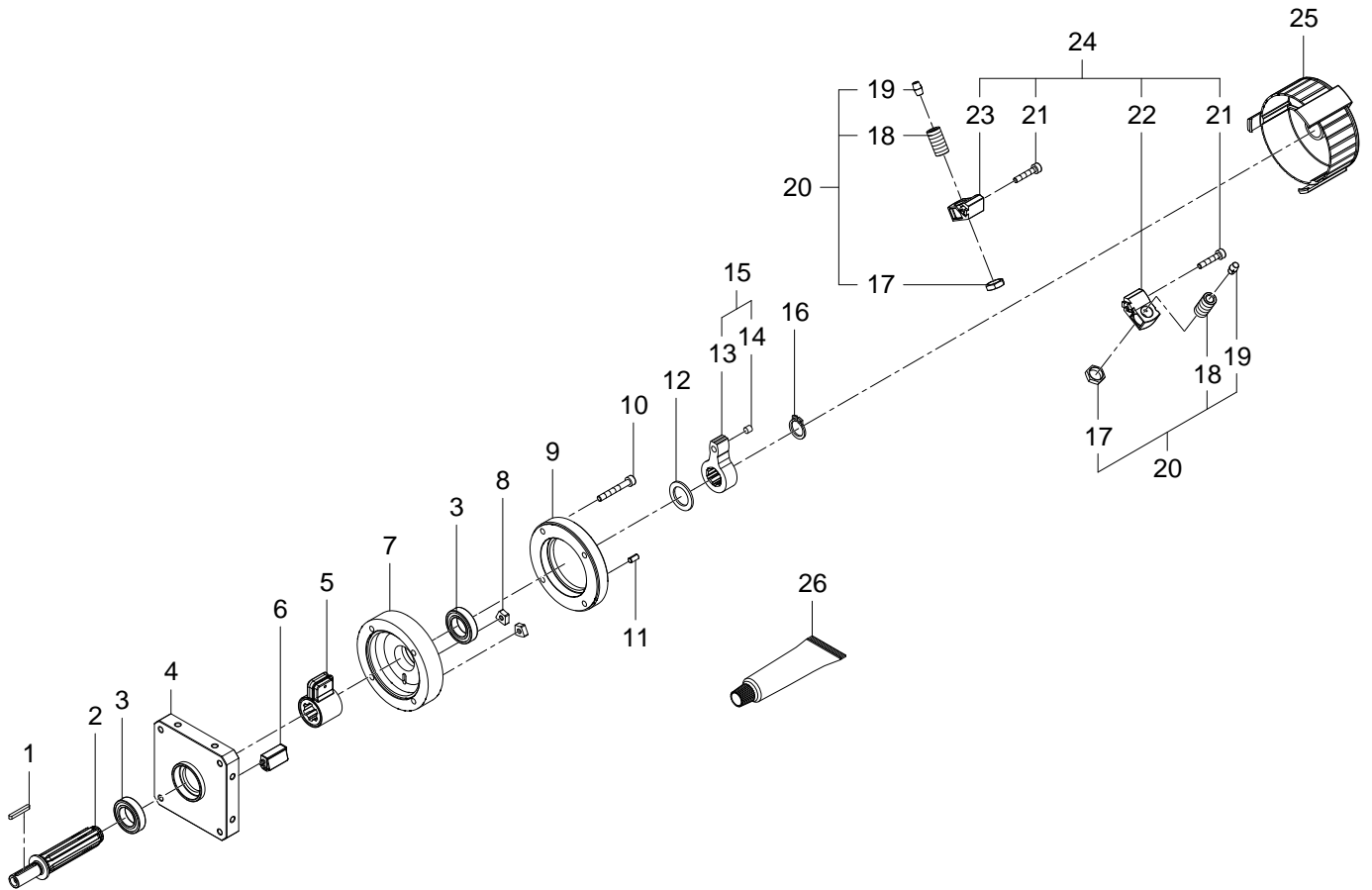


547578 DSM-25-270-P-A-B Semi-rotary drive - Series: All



547578 DSM-25-270-P-A-B Semi-rotary drive - Series: All

Pos.	Part no.	Type	Note	Qty.	Unit
A	384306	DSM- 25-270-P Set of wearing parts	Spare parts: 5, 6, 26 ▶ Replacing the wearing parts	1	PC
1	229183	A-4X4X25-1.0503+C Feather key DIN6885		1	PC
2	256909	DSM- 25- 270P Shaft		1	PC
3	324317	XF+D625-61803-2RS Deep groove ball bearing		2	PC
4		DSM- 25- 270P:LE Housing	Not available Grease using during assembly. See position 26	1	PC
5		DSM- 25-270-P Vane module	Not available separately, see position A	1	PC
6		DSM- 25-270P Chamber seal	Not available separately, see position A	1	PC
7		DSM- 25- 270P:RI Housing	Not available Grease using during assembly. See position 26	1	PC
8	256913	DSM- 25- 270P Slot nut		2	PC
9	8028800	DSM-25-...-B Housing ring		1	PC
10	200666	ISO 4762-M4X30-8.8 Socket head screw	Tightening torque 3 Nm / 2.2 lbf ft	4	PC
11	208614	DIN 7346-4,5X5 Spring pin		1	PC
12	711321	DIN 988-S-17X24-A2 Support washer		1	PC
13		DSM-25-B Lever	Not available separately, see position 15	1	PC
14		3,6X3,4 Magnet	Not available separately, see position 15	1	PC
15	704075	DSM-25-B Lever module		1	PC
16	204011	DIN 471-15X1 Retaining ring		1	PC
17		M10X1 Hex nut	Not available separately, see position 20	2	PC
18		DSM-16/-25-P-B adjustment sleeve	Not available separately, see position 20	2	PC
19		5,9X7,1 Buffer element	Not available separately, see position 20	2	PC
20	550658	DSM-16/25-P-B Cushioning kit		1	PC
21		DSM-25-...-B:LE Stop	Not available separately, see position 24	1	PC
22	392535	ISO 4762-M5X20-12.9 Socket head screw		2	PC
23		DSM-25-...-B:RI Stop	Not available separately, see position 24	1	PC
24	547902	DSM-25-B Cushioning mount		1	PC
25	549196	AKM-25 Cover cap		1	PC
26	684474	LUB-KC1 SILIKONFREI 20ML Lubricating grease		1	PC