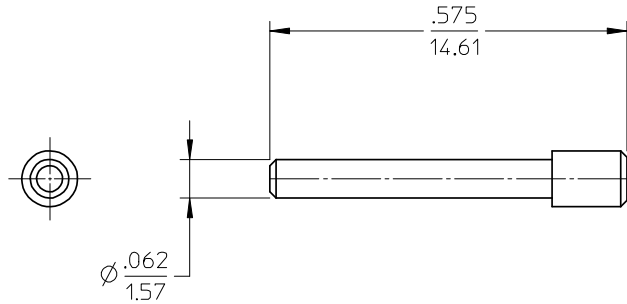
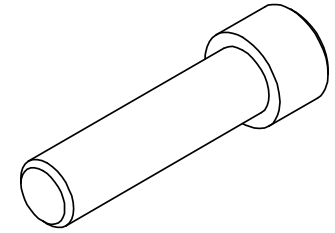
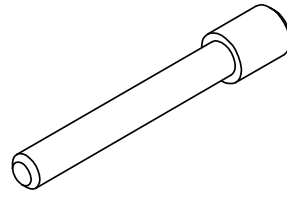
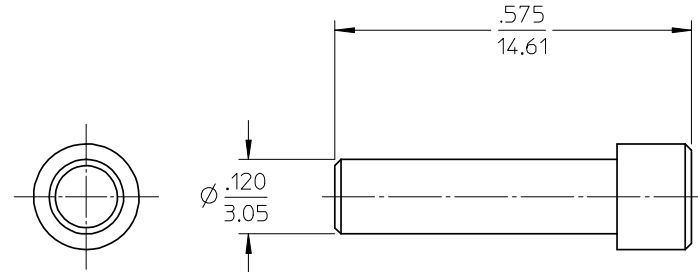


MATERIAL NO.	CONTACT SIZE	COLOR
845090001	20	RED
845090002	12 & 16	NATURAL (WHITE)



MATERIAL NO. 845090001
CONTACT SIZE 20



MATERIAL NO. 845090002
CONTACT SIZE 12 & 16

NOTE(S):

- GENERIC MATERIAL NAME: POLYESTER (PBT)
COLOR: SEE CHART
UL FLAMMABILITY RATING: UL94 V-0
MATERIAL IS ROHS COMPLIANT.
- FOR USE WITH PLUG AND RECPTACLE ASSEMBLIES
SERIES: 84501, 84502, 84507, 84508, 84505,
84506, 84510, & 84511.
- PART IS BULK PACKAGED IN A MOLEX WORLD WIDE
CARTON IN QUANTITIES TBD.

ADDED ISO VIEW EC NO: WNA2008-0321 DR: WIMWLEUNG CHKD: 2008/06/06 APPR: RDEROSS 2008/06/17	DESCRIPTION REV B	QUALITY SYMBOLS	GENERAL TOLERANCES (UNLESS SPECIFIED)	DIMENSION STYLE	SCALE	DESIGN UNITS	THIRD ANGLE PROJECTION	
		▽=0 ▽=0	mm INCH 4 PLACES ± --- ± --- 3 PLACES ± --- ± .015 2 PLACES ± 0.38 ± --- 1 PLACE ± --- ± --- ANGULAR ± 1 °	IN/MM	5:1	INCH	DRAWN BY DATE DMYRICK 2006/6/29 CHECKED BY DATE JPAWLICKI 2006/6/29 APPROVED BY DATE JPAWLICKI 2006/6/29	TITLE PLUG, SEALING SIZES 20, 12 & 16
		DRAFT WHERE APPLICABLE MUST REMAIN WITHIN DIMENSIONS	SEE CHART	MATERIAL NO.	DOCUMENT NO.	SHEET NO.		
		SIZE B	THIS DRAWING CONTAINS INFORMATION THAT IS PROPRIETARY TO MOLEX INCORPORATED AND SHOULD NOT BE USED WITHOUT WRITTEN PERMISSION		SD-84509-001	1 OF 1		