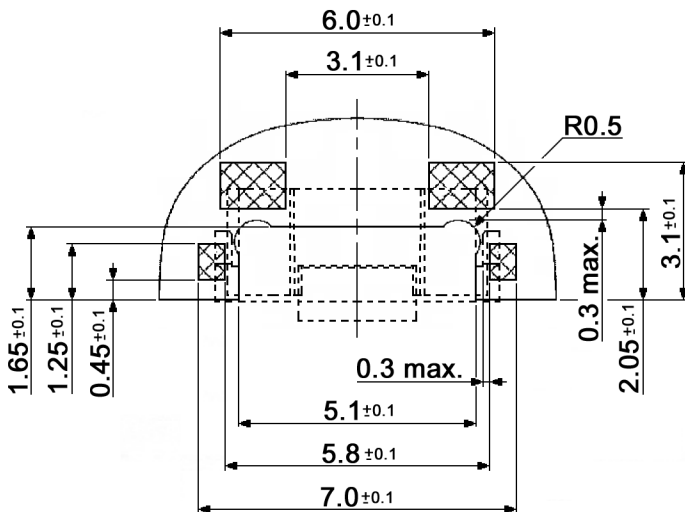


P.C.B. LAYOUT



CIRCUIT DIAGRAM



Tolerances: up to 10: $\pm 0.20\text{mm}$ above 10-50: $\pm 0.30\text{mm}$		Date	Name
		05/13	dr
Table "x"	11/13	dr	knitter-switch
Revised	07/13	dr	
Modifications	Date	Name	

TSS 483545 x-H

30 28 54

Page

1/3

Specifications:

Contact rating: max.: 20mA, 15V DC
min.: 10µA, 2V DC

Contact resistance: 100mOhm max.

Insulation resistance: 100MOhm min. at 100V DC (between terminals)

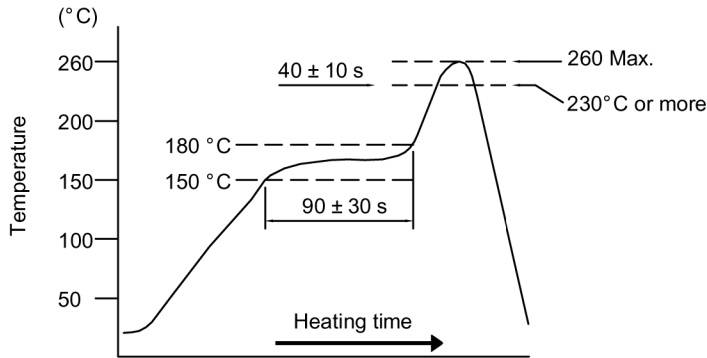
Dielectric strength: 250V AC for 1 minute (between terminals)

Operating temperature: -40°C to +85°C

Storage temperature: -20°C to +60°C

Material: Terminal: phosphor bronze, silver plated
Contact plate: stainless steel, silver plated
Membrane: polyimide, natural
Cover: stainless steel, silver plated
Stem: PA46, natural
Case: PA9T, black

Soldering conditions:

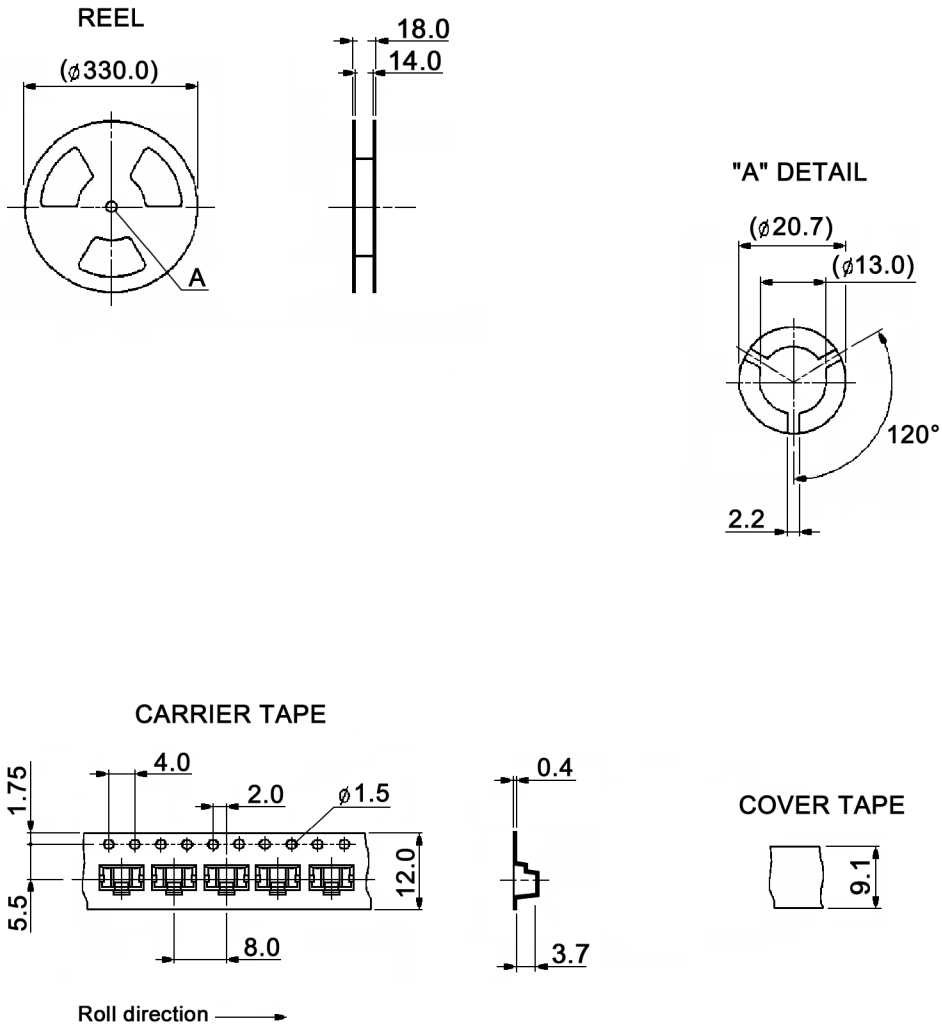


x	Operating force	Electrical life
N	1.6N +/-0.5	1 000 000 cycles
R	2.4N +/-0.5	500 000 cycles
S	3.5N +/-1.5	200 000 cycles



Tolerances: up to 10: ±0.20mm above 10-50: ±0.30mm		Date	Name	<h1>TSS 483545 x-H</h1>
		05/13	dr	
		knitter-switch		<h2>30 28 54</h2>
				Page 2/3
Modifications	Date	Name		

Packaging:



Packaging unit: 2200 pcs. / reel



Tolerances: up to 10: ±0.20mm above 10-50: ±0.30mm	Date	Name
	05/13	dr
Modifications	Date	Name

TSS 483545 x-H

knitter-switch

30 28 54

Page

3/3