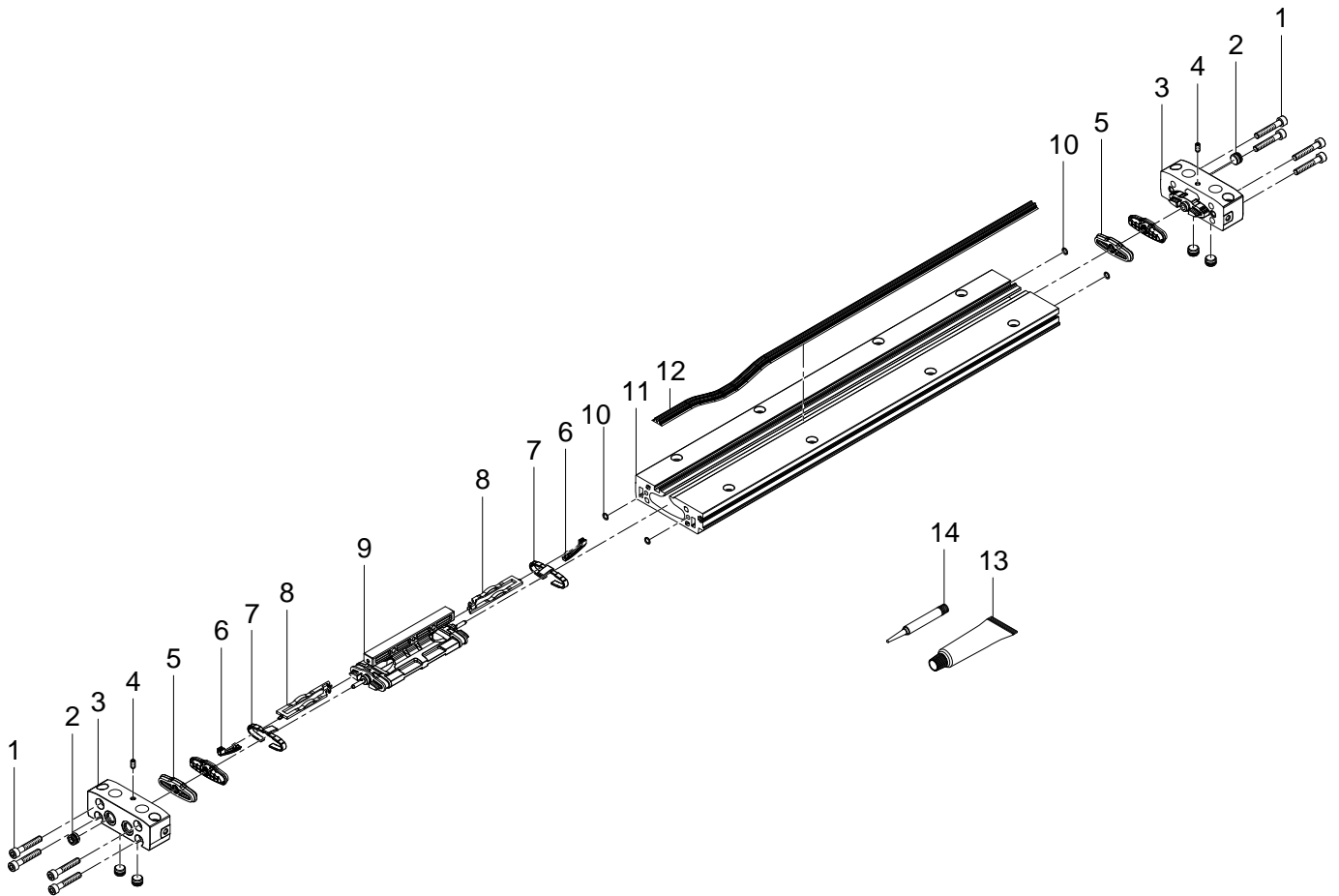


5074782 DLGF-G-32-200-PPSA Linear drive - Series: All



## 5074782 DLGF-G-32-200-PPSA Linear drive - Series: All

Pos.	Part no.	Type	Note	Qty.	Unit
A	8083869	DLGF-32 Set of wearing parts	Spare parts: 5, 6, 7, 10, 13, 14 <a href="#">Repair note: Mounting aid</a> <a href="#">Replacing the wearing parts</a>	1	PC
1	703929	SF-F-I-M6X40-10.9 self-tapping screw	Tightening torque 12 Nm / 8.9 lbf ft Use locking compound. See position 14	8	PC
2		G1/8 Plug screw	Not available Use locking compound. See position 14	6	PC
3		DLGF-32:MA End cap	Not available	1	PC
4		ISO 4026-M4X8-A2-21H Threaded pin	Not available Tightening torque 0.7 Nm / 0.5 lbf ft Use locking compound. See position 14	2	PC
5		DLGF-32 Piston seal	Not available separately, see position A Grease using during assembly. See position 13	4	PC
6		DLGF-32 Guide	Not available separately, see position A Grease using during assembly. See position 13	2	PC
7		DLGF-32 Guiding band	Not available separately, see position A Grease using during assembly. See position 13	2	PC
8		DLGF-32 Cover	Not available	2	PC
9		DLGF-32:MA Piston	Not available	1	PC
10		B-6,5X1-N-NBR70 O-ring ISO3601	Not available separately, see position A Grease using during assembly. See position 13	4	PC
11		DLGF-32-200:MA Cylinder barrel	Not available Grease using during assembly. See position 13	1	PC
12	8083871	DLGF-G/KF-20...40 Sealing band	Grease using during assembly. See position 13 <a href="#">Replacing the toothed belt</a>	1	PC
13	684474	LUB-KC1 SILIKONFREI 20ML Lubricating grease		1	PC
14	8181256	CYBERBOND TM44 TB1ML Adhesive bonding agent		1	PC