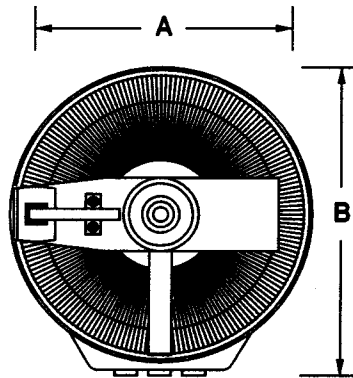
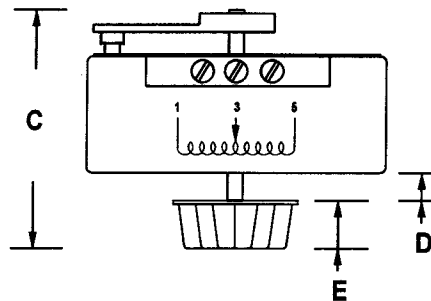


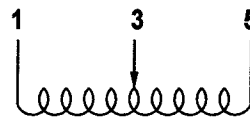
ENCAPSULATED VARIABLE TRANSFORMERS INSTALLATION AND SAFETY INSTRUCTIONS



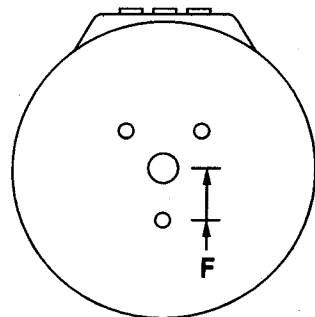
Type	Output Amps	A	B	C	D	E	F	∅
CMV1X-1	1	113	130	127	6	30	15	M3
CMV1.5X-1	1.5	113	130	127	6	30	15	M3
CMV2X-1	2	113	130	127	6	30	15	M3
CMV3X-1	3	113	130	127	6	30	15	M3
CMV4X-1	4	165	165	120	6	30	22.5	M6
CMV6X-1	6	165	165	125	8	30	22.5	M6
CMV8X-1	8	165	165	140	8	30	22.5	M6



INPUT : 240V 1 Ph 50/60Hz AT 5-1
OUPUT : 0-240V 1 Ph 50/60Hz AT 5-3



CONNECTION ARRANGEMENT



Fixing Detail

REMOVE THE PACKING FROM THE CARBON BRUSH
BEFORE PUTTING INTO SERVICE

1. Read all of these instructions before you use the transformer.
2. This transformer is not designed to provide mains isolation.
3. Variable transformers operate at mains voltage.
DO NOT EXCEED THE MAXIMUM VOLTAGE AND CURRENT RATING.
4. Installation connection and maintenance should only be carried out by suitably qualified personnel.
5. This transformer is open style and must be fitted within its own enclosure or within a protected environment.
6. When connected to the electrical supply the terminals, brushes and track face are at mains potential with a potentially lethal voltage.
7. The output must always be applied across the load.
Never connect the transformer in series with the load.
8. The carbon brush should be inspected for damage or wear, faulty or worn brushes will result in damage to the windings.