

5050863-6 ✓ ACTIVE

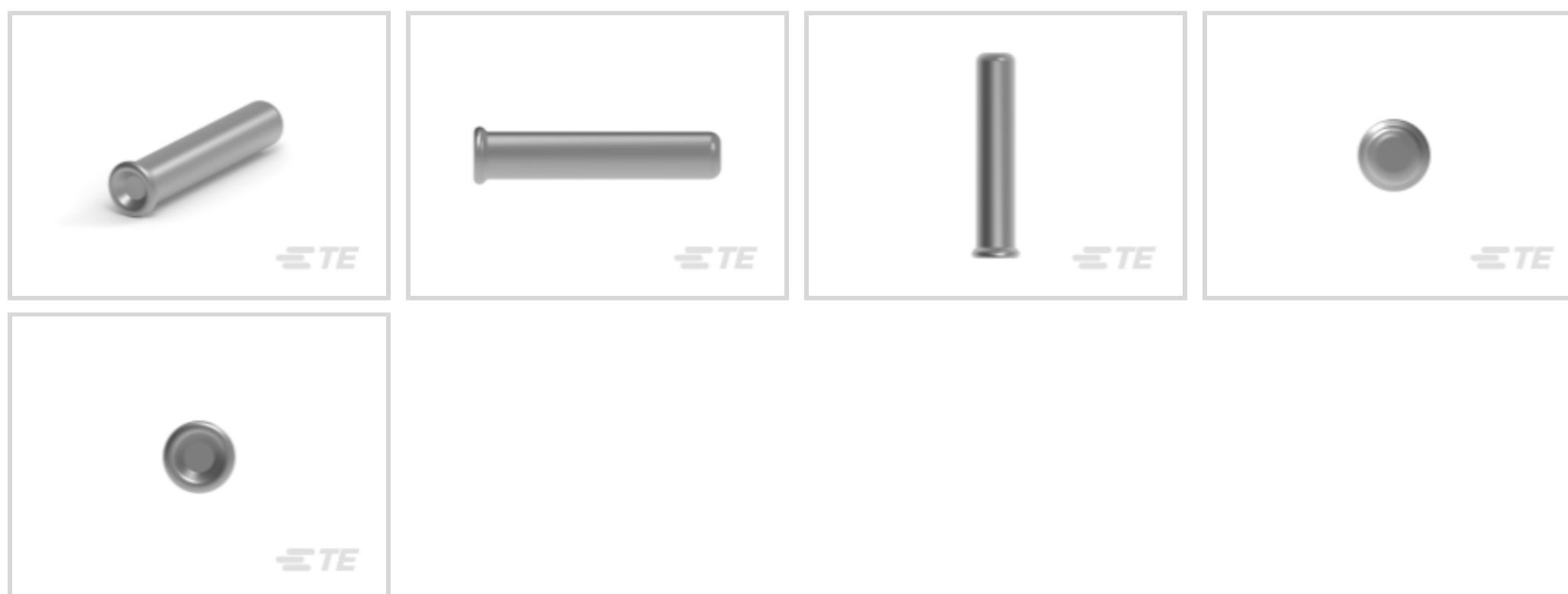


TE Internal #: 5050863-6

6.6 mm [.26 in] Socket Length, 1.32 mm [.052 in] PCB Hole, Open Bottom, .081 – .326 mm² Wire, 28 – 22 AWG, Cable-to-Board, Power & Signal, Pin Sockets

[View on TE.com >](#)

Connectors > Socket Connectors > Pin Sockets > Miniature Spring Sockets: Open Bottom, Beryllium Copper, 4A



Socket Length: 6.6 mm [.26 in]

PCB Hole Diameter: 1.32 mm [.052 in]

Socket Sleeve Style: Open Bottom

Wire Size: 28 – 22 AWG

[All Miniature Spring Sockets: Open Bottom, Beryllium Copper, 4A \(6\)](#)

Features

Product Type Features

Connector & Contact Terminates To	Printed Circuit Board
Socket Sleeve Style	Open Bottom
Connector System	Cable-to-Board
Sealable	No

Configuration Features

Compatible With Wire & Cable Type	Discrete Wire
-----------------------------------	---------------

Body Features

Sleeve Plating Material	Tin
Sleeve Material	Copper

Contact Features

Contact Spring Plating Material	Tin
Contact Base Material	Beryllium Copper
Contact Mating Area Plating Material Thickness	2.54 µm
Contact Spring Plating Thickness	2.54 µm[30 µin]



Contact Current Rating (Max)	4 A
------------------------------	-----

Termination Features

Termination Method to PCB	Through Hole - Press-Fit
---------------------------	--------------------------

Termination Method to Wire & Cable	Solder
------------------------------------	--------

Insertion Method	Hand/Semi-Automatic
------------------	---------------------

Dimensions

PCB Thickness (Recommended)	.79 – 3.18 mm [.031 – .125 in]
-----------------------------	--------------------------------

Socket Length	6.6 mm [.26 in]
---------------	-----------------

PCB Hole Diameter	1.32 mm [.052 in]
-------------------	-------------------

Wire Size	28 – 22 AWG
-----------	-------------

Mating Pin Diameter Range	.36 – .66 mm [.014 – .026 in]
---------------------------	-------------------------------

Usage Conditions

Operating Temperature Range	-65 – 125 °C [-85 – 257 °F]
-----------------------------	-----------------------------

Operation/Application

Circuit Application	Power & Signal
---------------------	----------------

Packaging Features

Packaging Method	Bag, Loose Piece
------------------	------------------

Packaging Quantity	2000
--------------------	------

Other

Spring Material	Beryllium Copper
-----------------	------------------

Product Compliance

For compliance documentation, visit the product page on [TE.com](https://www.te.com)>

EU RoHS Directive 2011/65/EU	Compliant
------------------------------	-----------

EU ELV Directive 2000/53/EC	Compliant
-----------------------------	-----------

China RoHS 2 Directive MIIT Order No 32, 2016	No Restricted Materials Above Threshold
---	---

EU REACH Regulation (EC) No. 1907/2006	Current ECHA Candidate List: JUNE 2025 (250) Candidate List Declared Against: JUNE 2025 (250) Does not contain REACH SVHC
--	---

Halogen Content	Low Halogen - Br, Cl, F < 900 ppm per homogenous material. Also BFR/CFR/PVC Free
-----------------	--

Solder Process Capability

Pin-in-Paste capable to 260°C

Product Compliance Disclaimer

This information is provided based on reasonable inquiry of our suppliers and represents our current actual knowledge based on the information they provided. This information is subject to change. The part numbers that TE has identified as EU RoHS compliant have a maximum concentration of 0.1% by weight in homogenous materials for lead, hexavalent chromium, mercury, PBB, PBDE, DBP, BBP, DEHP, DIBP, and 0.01% for cadmium, or qualify for an exemption to these limits as defined in the Annexes of Directive 2011/65/EU (RoHS2). Finished electrical and electronic equipment products will be CE marked as required by Directive 2011/65/EU. Components may not be CE marked. Additionally, the part numbers that TE has identified as EU ELV compliant have a maximum concentration of 0.1% by weight in homogenous materials for lead, hexavalent chromium, and mercury, and 0.01% for cadmium, or qualify for an exemption to these limits as defined in the Annexes of Directive 2000/53/EC (ELV). Regarding the REACH Regulation, the information TE provides on SVHC in articles for this part number is based on the latest European Chemicals Agency (ECHA) 'Guidance on requirements for substances in articles' posted at this URL: <https://echa.europa.eu/guidance-documents/guidance-on-reach>

Compatible Parts

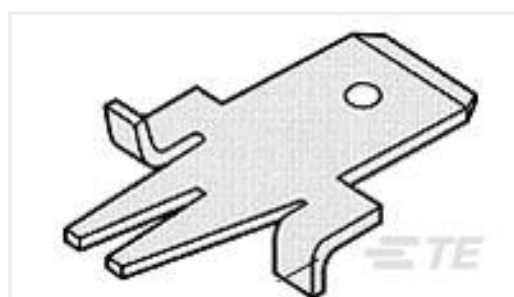


TE Part # CAT-377-MSSCB4
Miniature Spring Sockets: Closed Bottom, Beryllium Copper, 4A

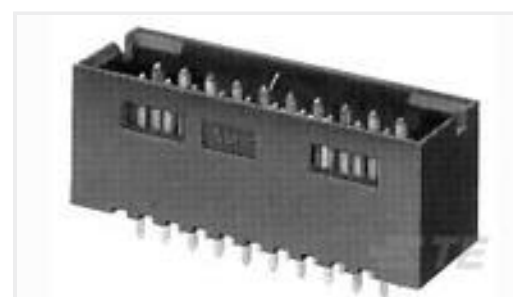
Customers Also Bought



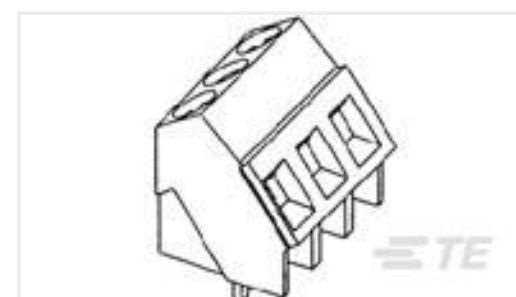
TE Part #34313
PIDG HK 22-16 COMM 22-18 MIL 6



TE Part #63067-1
250 FASTON TAB TPBR



TE Part #7-103169-3
50 MODII HDR DRST SHRD .100CL



TE Part #1546074-4
4 POS 5.08MM TERMI-BLOK TOP WI



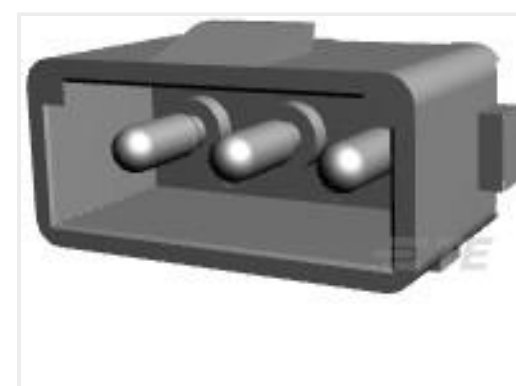
TE Part #1558660-1
T9GV5L14-5



TE Part #1586512-2
02P CMNL HDR ASSY PC NATL LF



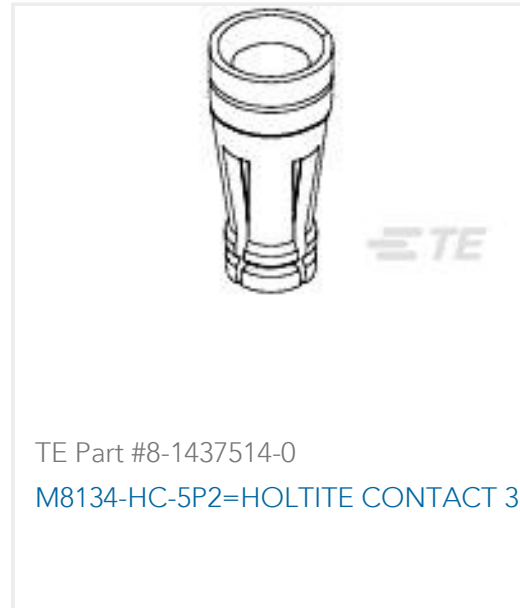
TE Part #1586518-2
08P CMNL HDR ASSY PC NATL LF



TE Part #1586532-2
03P CMNL HDR ASSY SHORT LF



TE Part #5050865-3
SOCKET,MIN-SPR SN-AU SER-4



TE Part #8-1437514-0
M8134-HC-5P2=HOLTITE CONTACT 3

Documents

Product Drawings

[SOCKET,MIN-SPR SN-SN SER-2](#)

English

CAD Files

Customer View Model

[ENG_CVM_5050863-6_O.3d_igs.zip](#)

English

Customer View Model

[ENG_CVM_5050863-6_O.3d_stp.zip](#)

English

Customer View Model

[ENG_CVM_5050863-6_O.2d_dxf.zip](#)

English

3D PDF

English

By downloading the CAD file I accept and agree to the [Terms and Conditions](#) of use.

Product Specifications

[Product Specification](#)

English