

Products Categories

- Part No. index
- Cutters & Pliers
- Wire strippers
- Crimpers
- Tweezers
- Screwdrivers & Wrenches
- Metal working
- Parts cases
- Tool cases
- Tool kits
- Soldering irons & Solder
- Parts & Solder removal equipment
- Measuring instruments
- Optical equipment
- Antistatic products
- Clean products
- Maintenance & Safety products

Parts & Solder removal equipment > Desoldering Pumps

DESOLDERING PUMPS

- Features cleaning mechanism.

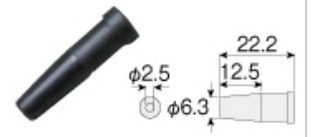
SS-750 LS DESOLDERING PUMP

Cylinder capacity mL	OAL mm	Weight g	ESD standard Ω
15	216	34	Ground resistance $R_g < 1 \times 10^{12} \Omega$



Replacement part

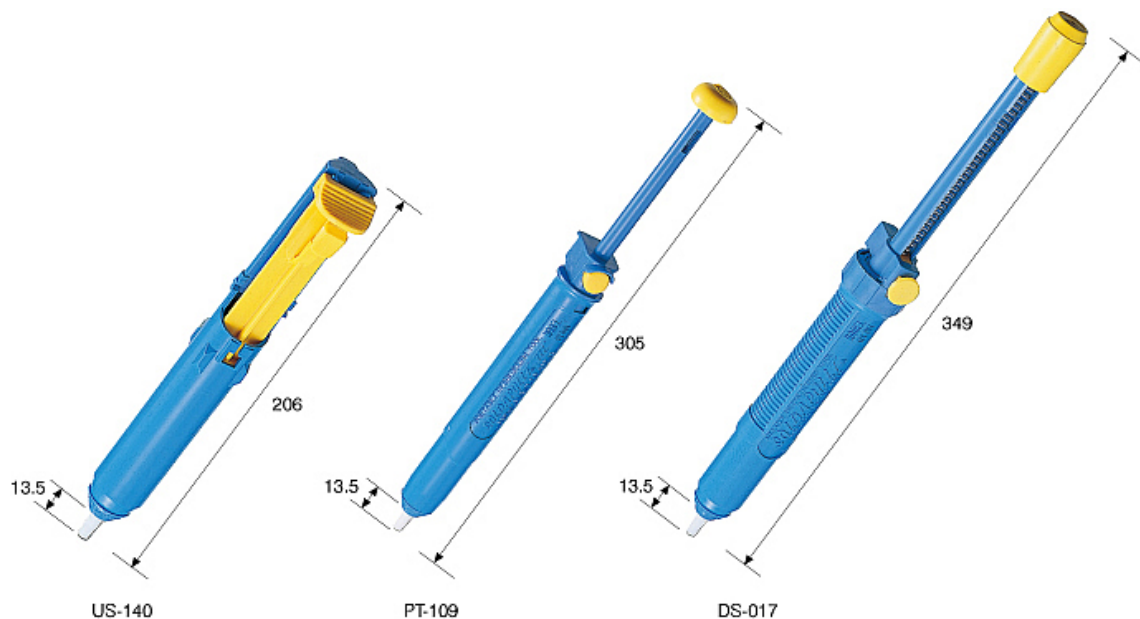
LS-751 NOZZLE
Compatible model SS-750



US-140 / PT-109 / DS-017



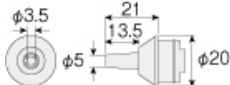
Part No.	Cylinder capacity mL	OAL mm	Weight g
US-140	22 / 18/ 14 (variable type)	206	52
PT-109	20	305	80
DS-017	25	349	100





Replacement part

SRT-12	NOZZLE
Compatible model	US-140 PT-109 DS-017

AS-196

Part No.	Cylinder capacity mL	OAL mm	Weight g	ESD standard Ω
AS-196	25	335	100	Ground resistance $R_g < 1 \times 10^{12} \Omega$



Replacement part

LS-197	NOZZLE
Compatible model	AS-196



[Home](#)

[Products Categories](#)

[What's New](#)

[Digital Catalog](#)

[About Us](#)

[Contact Us](#)

[Hozan Initiatives](#)

[Global Sales Contacts](#)

Copyright (C) 2016 HOZAN TOOL IND.CO.,LTD. All Rights Reserved.