



Datasheet

EES18B series 18 watt Single Output Desktop

ENGLISH



Features

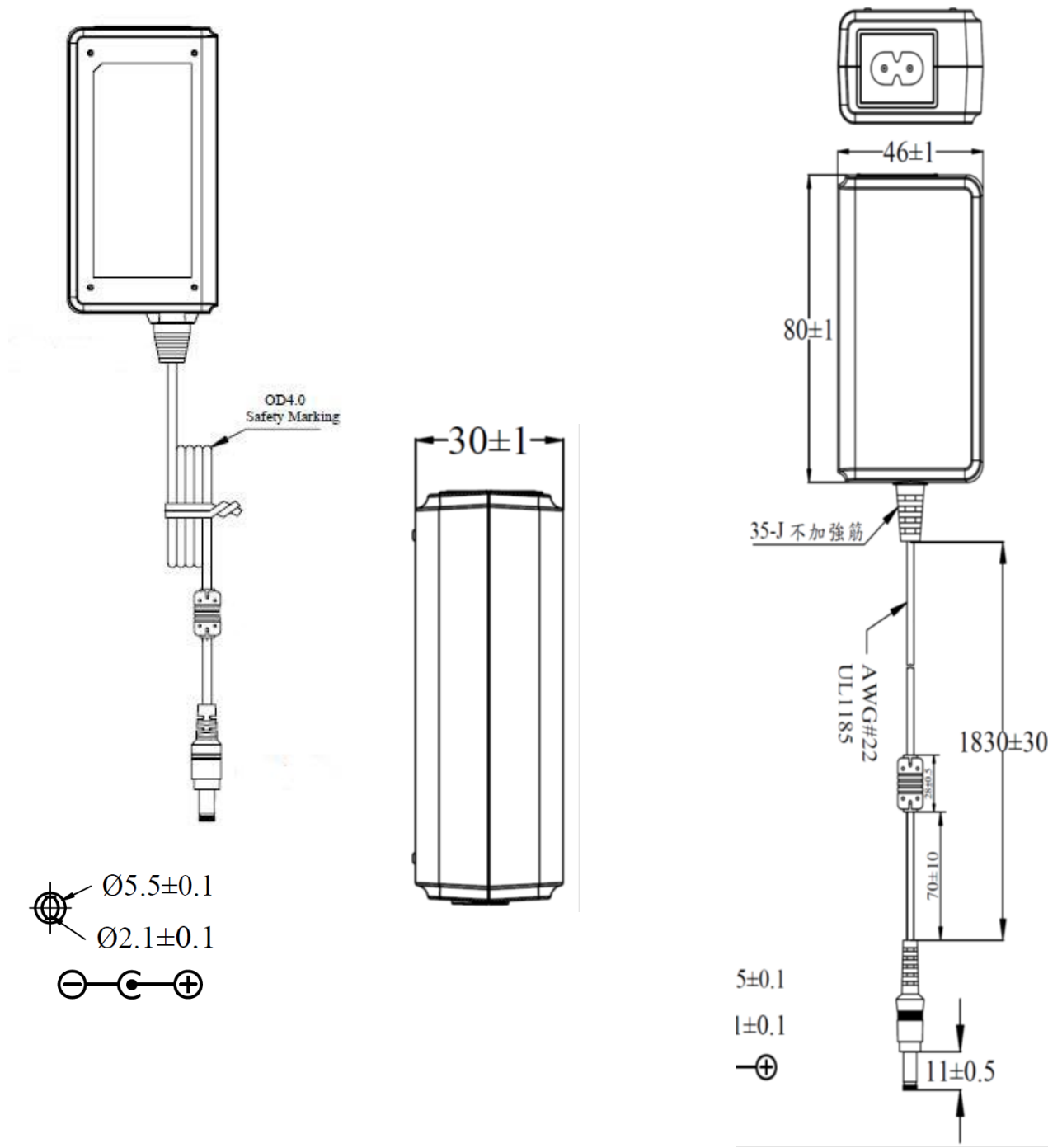
- Operating temperature: 0°C - 40°C
- Input Voltage: 100 – 240Vac
- Output Power: 18W
- Power Consumption at no-load : 0.3W Max
- AC inlet C8 socket
- Compact and light-weight plastic case
- Protections: short circuit/overload/ overheat
- ErP compliant
- Meets CE and UL standards
- Dimensions (LxWxH mm): 80 x 46 x 30
- Connector: P1J 2.1mm
- 2 year warranty

| Part number | Voltage | Rated Current | Efficiency | Line Regulation | Load Regulation | Ripple and Noise | MTBF |
|-------------|---------|---------------|------------|-----------------|-----------------|------------------|--|
| 770-2801 | 5V | 3A | 78% | ± 2% | ± 5% | 120mV Max | 50,000hrs min. MIL-HDBK – 217F (25°C) |
| 770-2810 | 7.5V | 2.5A | 79% | | | | |
| 770-2813 | 9V | 2A | 80% | | | | |
| 770-2817 | 12V | 1.5A | 81% | | | | |
| 770-2826 | 15V | 1.2A | 81% | | | | |
| 770-2829 | 18V | 1A | 81% | | | | |
| 770-2823 | 24V | 0.75A | 82% | | | | |
| 770-2832 | 28V | 0.64A | 82% | | | | |



EES18B series 18 watt Single Output Desktop

ENGLISH



RS Components, Birchington Road, Corby, Northants, NN17 9RS

T: 01536 201234

RS, Professionally Approved Products, gives you professional quality parts across all products categories. Our range has been testified by engineers as giving comparable quality to that of the leading brands without paying a premium price.