

GS2S3

switch-disconnector fuse body GS2 - TeSys
GS - 3 poles - 630A - DIN 3



Main

Range of product	TeSys GS
Device short name	GS2S
Fuse type	DIN
Fuse size	3
Product or component type	Fuse switch disconnector body
Poles description	3P
Network type	AC DC
Type of operating handle	Direct frontal External frontal External right side
[I _{th}] conventional free air thermal current	630 A at 40 °C

Complementary

Network frequency	50/60 Hz
Mounting support	Plate Rail
[U _i] rated insulation voltage	1000 V AC 50/60 Hz
[U _{imp}] rated impulse withstand voltage	12 kV
Short-circuit withstand	70 kA
[I _e] rated operational current	630 A at 440 V 2 poles in series per phase with terminal covers DC-23B 630 A at 400 V AC-23B 630 A at 400 V AC-23A 500 A at 500 V AC-23B 500 A at 500 V AC-23A 400 A at 690 V AC-23B 400 A at 440 V 2 poles in series per phase with terminal covers DC-23A 315 A at 690 V AC-23A
Rated operational power in W	400 kW at 690 V AC-23B 355 kW at 500 V AC-23B 355 kW at 500 V AC-23A 355 kW at 400 V AC-23B 355 kW at 400 V AC-23A 295 kW at 690 V AC-23A
Making capacity	6300 A at 400 V (AC-23B)
[I _{cm}] rated short-circuit making capacity	630 kA rating of associated fuses 100 kA at 400 V with protection by gl fuses
Breaking capacity	5040 kA at 400 V AC-23B
Mechanical durability	8000 cycles
Electrical durability	200 cycles on DC-23B 200 cycles on DC-23A 1000 cycles on AC-23B 1000 cycles on AC-23A
Connections - terminals	Power circuit: cable 2 cable 300 mm ² Power circuit: cable 2 cable 150 mm ² Power circuit: bars cable 63 mm ²
Tightening torque	Power circuit: 44 N.m
Height	364 mm
Width	300 mm
Depth	250 mm
Product weight	16 kg

The information provided in this documentation contains general descriptions and/or technical characteristics of the performance of the products contained herein. This documentation is not intended as a substitute for and is not to be used for determining suitability or reliability of these products for specific user applications. It is the duty of any such user or integrator to perform the appropriate and complete risk analysis, evaluation and testing of the products with respect to the relevant specific application or use thereof. Neither Schneider Electric Industries SAS nor any of its affiliates or subsidiaries shall be responsible or liable for misuse of the information contained herein.

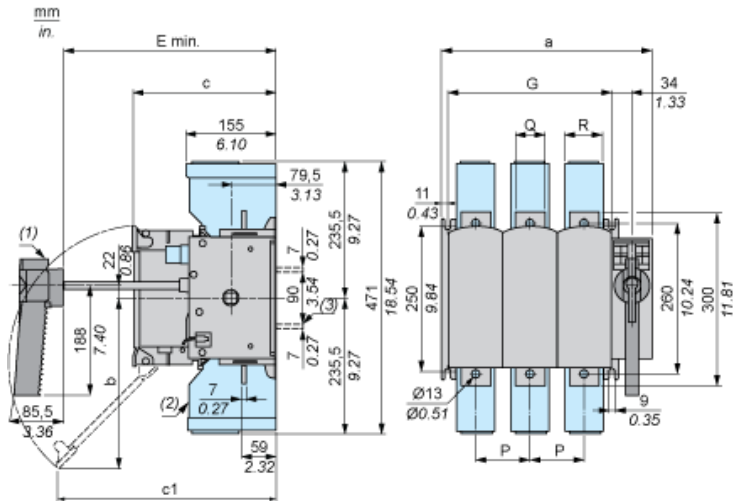
Environment

Standards	IEC 60269-1 IEC 60269-2 IEC 60947-3
Product certifications	ASEFA LOVAG LROS (Lloyds register of shipping)
IP degree of protection	IP20 with terminal cover conforming to IEC 60529
Ambient air temperature for operation	-20...70 °C
Ambient air temperature for operation	-40...80 °C storage -20...70 °C operation
Fire resistance	960 °C body conforming to IEC 60695-2-1 850 °C fuse cover conforming to IEC 60695-2-1

Contractual warranty

Period	18 months
--------	-----------

Direct Front-mounted Operator

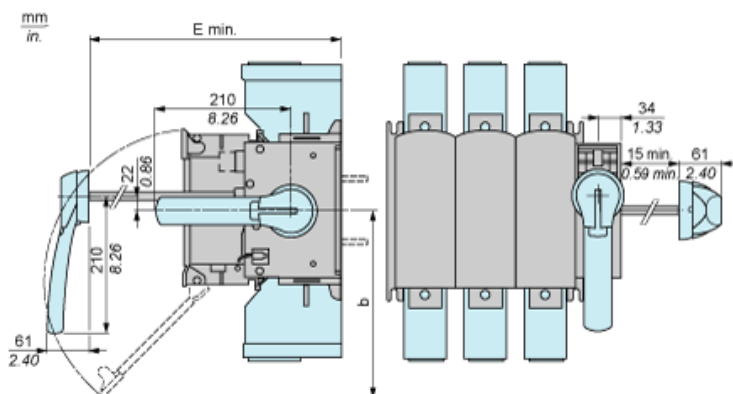


- (1) Handle GS2AH104 for GS2S, GS2SB and GS2TB.
- (2) Terminal cover.
- (3) Rear access connector plates (GS2V and GS2VB).

In the following table, the dimensions are provided in millimeters and in inches (in italic text).

GS2		a	b	c	c1	E min.	G	P	Q	R
S, SB, TB	3P	364 14.33	300 11.81	250 9.84	380 14.96	265 10.43	284 11.18	94 3.70	51 2.01	65 2.56
4P	458 18.03	300 11.81	250 9.84	380 14.96	265 10.43	284 14.88	94 3.70	51 2.01	65 2.56	
V, VB	3P	442 17.40	355 13.98	289 11.38	295 11.61	304 11.97	362 14.25	120 4.72	77 3.03	88 3.46
4P	562 22.13	355 13.98	289 11.38	295 11.61	304 11.97	462 18.98	120 4.72	77 3.03	88 3.46	

External Front and RH Side-mounted Operator

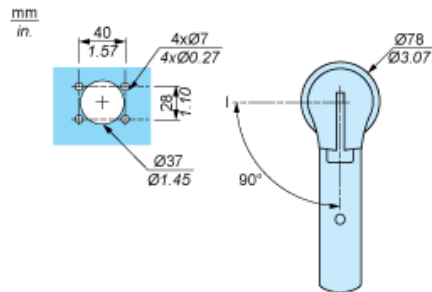


In the following table, the dimensions are provided in millimeters and in inches (in italic text).

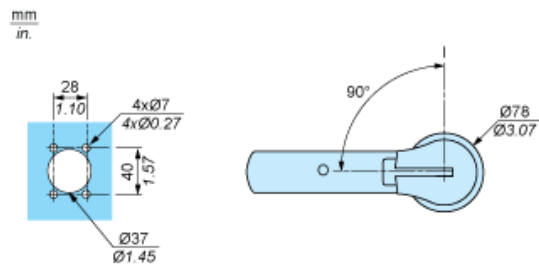
GS2		b	E min.
S, SB, TB	3P	297 11.69	265 10.43

GS2		b	E min.
4P	297 11.69	265 10.43	
V, VB	3P	350 13.78	304 11.97
4P	350 13.78	304 11.97	

Door Cut-out - For External Front-mounted Operator



Door Cut-out - For External RH Side-mounted Operator



3-pole GS

