

TS1105/06 Data Sheet

TS1105 and TS1106 Unidirectional and Bidirectional Current-Sense Amplifiers + Buffered Unipolar Output with Adjustable Bias

The TS1105 and TS1106 combine the TS1100 or TS1101 current-sense amplifiers with a unipolar buffered output featuring adjustable bias.

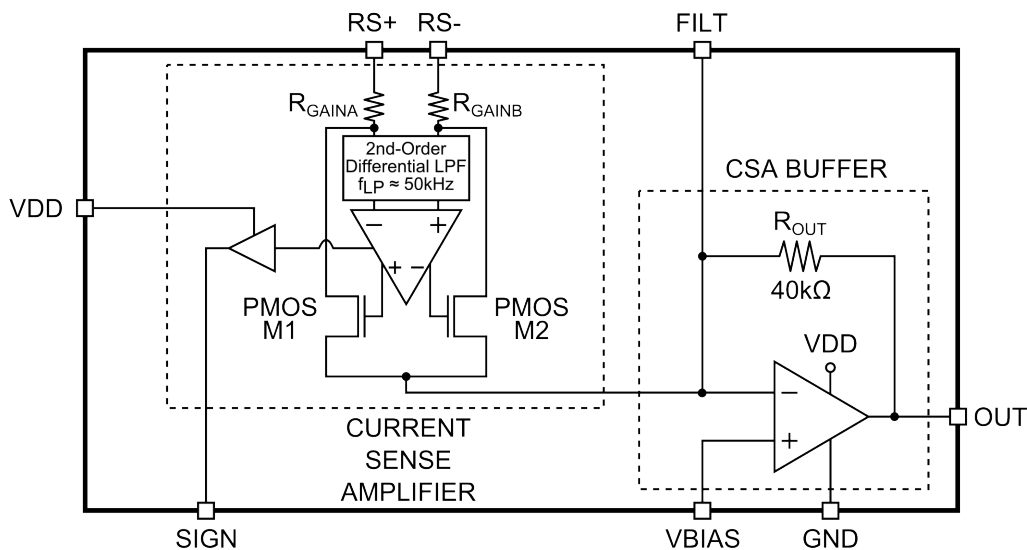
The TS1105 and TS1106 high-side current-sense amplifiers consume 0.68 μA (typ) and 1.2 μA (max) of supply current while the buffered output consumes 0.76 μA (typ) and 1.3 μA (max) of supply current. With an input offset voltage of 100 μV (max) and a gain error of 0.6% (max), the TS1105 and TS1106 are optimized for high-precision current measurements.

Applications

- Power Management Systems
- Portable/Battery-Powered Systems
- Smart Chargers
- Battery Monitoring
- Overcurrent and Undercurrent Detection
- Remote Sensing
- Industrial Controls

KEY FEATURES

- Low Supply Current
 - Current Sense Amplifier: 0.68 μA
 - I_{VDD} : 0.76 μA
- High-Side Bidirectional and Unidirectional Buffered Current Sense Amplifiers
- Wide CSA Input Common Mode Range: +2 V to +27 V
- Low CSA Input Offset Voltage: 100 μV (max)
- Low Gain Error: 0.6% (max)
- Two Gain Options Available:
 - Gain = 20 V/V: TS1105-20 and TS1106-20
 - Gain = 200 V/V: TS1105-200 and TS1106-200
- 8-Pin TDFN Packaging (3 mm x 3 mm)



1. Ordering Information

Table 1.1. Ordering Part Numbers

Ordering Part Number ¹	Description	Gain V/V
TS1105-20ITD833	Unidirectional buffered unipolar current sense amplifier	20
TS1105-200ITD833	Unidirectional buffered unipolar current sense amplifier	200
TS1106-20ITD833	Bidirectional buffered unipolar current sense amplifier	20
TS1106-200ITD833	Bidirectional buffered unipolar current sense amplifier	200

Note:

1. Adding the suffix "T" to the part number (e.g. TS1106-200ITD833T) denotes tape and reel.

2. System Overview

2.1 Functional Block Diagrams

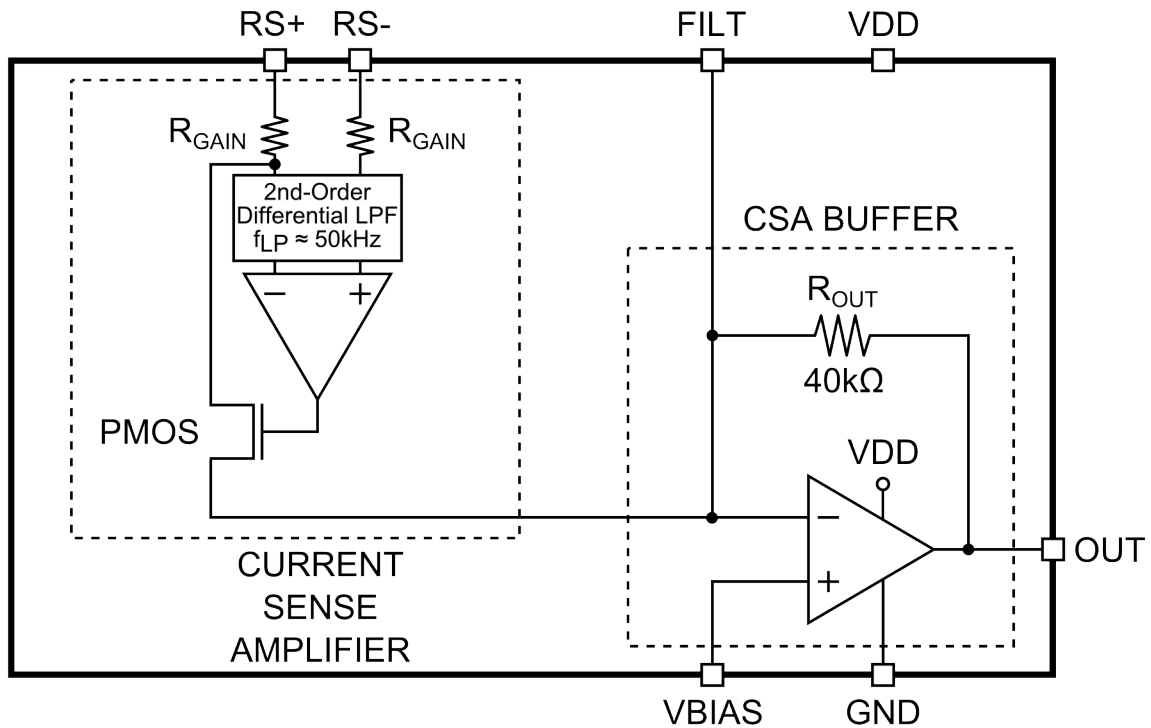


Figure 2.1. TS1105 Unidirectional Buffered Current Sense Amplifier Block Diagram

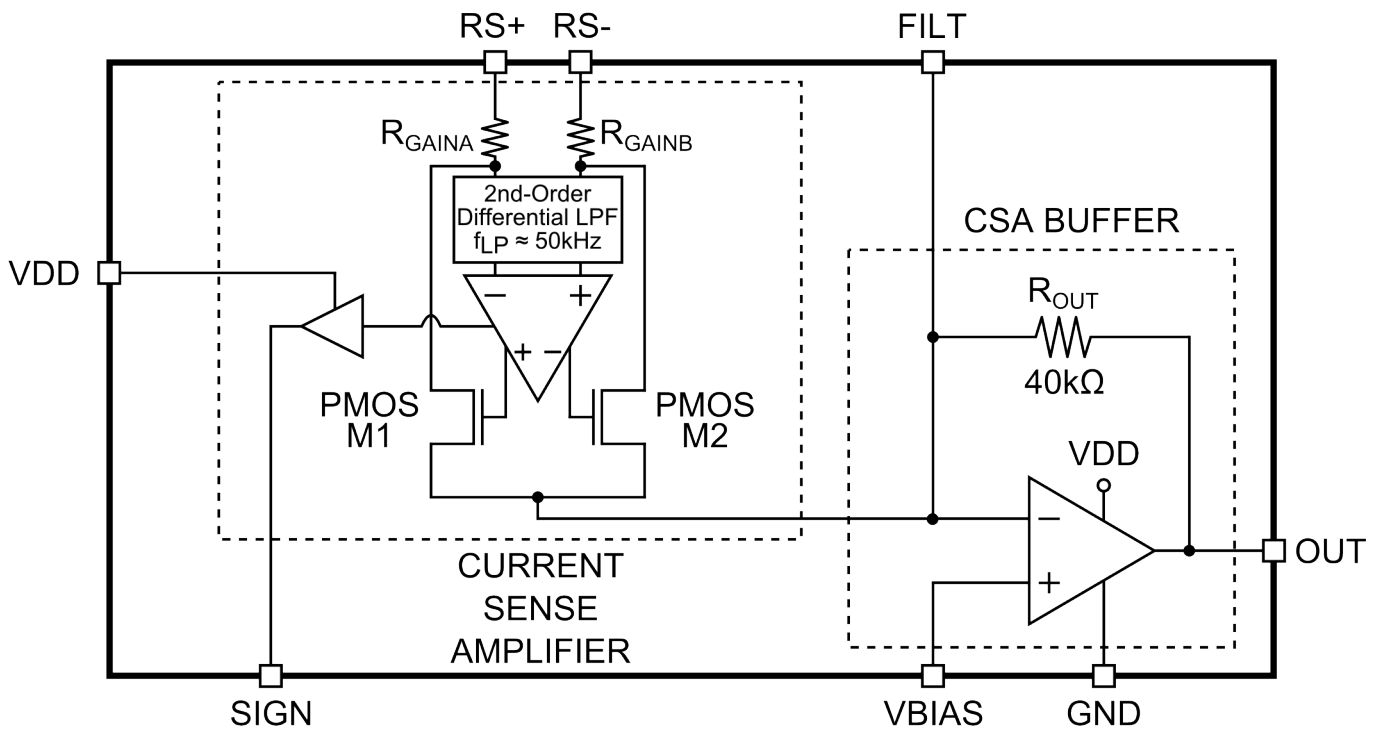


Figure 2.2. TS116 Bidirectional Buffered Current Sense Amplifier Block Diagram

2.2 Current Sense Amplifier + Output Buffer

The internal configuration of the TS1105 unidirectional and TS1106 bidirectional current-sense amplifiers are buffered variations of the TS1100 unidirectional and TS1101 bidirectional current-sense amplifier respectively. The TS1106 current-sense amplifier is configured for fully differential input/output operation, therefore the behavior of the TS1106 current-sense amplifier is identical for either $V_{RS+} > V_{RS-}$ or $V_{RS-} > V_{RS+}$.

Referring to the block diagrams, the inputs of the TS1105/06's differential input/output amplifier are connected to RS+ and RS- across an external R_{SENSE} resistor that is used to measure current. At the non-inverting input of the current-sense amplifier, the applied voltage difference in voltage between RS+ and RS- is $I_{LOAD} \times R_{SENSE}$. Since the RS- terminal is the non-inverting input of the internal op-amp, the current-sense op-amp action drives PMOS[1/2] to drive current across $R_{GAIN[A/B]}$ to equalize voltage at its inputs.

Thus, since the PMOS source for both M1 and M2 are connected to the inverting input of the internal op-amp and since the voltage drop across R_{GAINA} or R_{GAINB} is the same as the external V_{SENSE} , the PMOS drain-source current for either M1 or M2 is equal to:

$$I_{DS(M1\&M2)} = \frac{V_{SENSE}}{R_{GAIN[A/B]}}$$

or

$$I_{DS(M1\&M2)} = \frac{I_{LOAD} \times R_{SENSE}}{R_{GAIN[A/B]}}$$

The drain terminal for PMOS[1/2] is connected to the transimpedance amplifier's gain resistor, R_{OUT} , via the inverting terminal. The non-inverting terminal of the transimpedance amplifier is internally connected to VBIAS, therefore the output voltage of the TS1105/06 at the OUT terminal is

$$V_{OUT} = V_{BIAS} - I_{LOAD} \times R_{SENSE} \times \frac{R_{OUT}}{R_{GAIN[A/B]}}$$

The current-sense amplifier's gain accuracy is therefore the ratio match of R_{OUT} to $R_{GAIN[A/B]}$. For each of the gain options available, the table below lists the values for $R_{GAIN[A/B]}$

Table 2.1. Internal Gain Setting Resistors (Typical Values)

GAIN (V/V)	$R_{GAIN[A/B]}$ (Ω)	R_{OUT} (Ω)	Part Number
20	2 k	40 k	TS1105-20
200	200	40 k	TS1105-200
20	2 k	40 k	TS1106-20
200	200	40 k	TS1106-200

The TS1105/06 allows access to the inverting terminal of the transimpedance amplifier by the FILT pin, whereby a series RC filter may be connected to reduce noise at the OUT terminal. The recommended RC filter is 4 k Ω and 0.47 μ F connected in series from FILT to GND to suppress the noise. Any capacitance at the OUT terminal should be minimized for stable operation of the buffer.

2.3 Sign Output—TS1106 Only

The TS1106's SIGN output indicates the load current's direction. The SIGN output is a logic HIGH when M1 is conducting current ($V_{RS+} > V_{RS-}$). Alternatively, the SIGN output is a logic LOW when M2 is conducting current ($V_{RS-} > V_{RS+}$). The SIGN comparator's transfer characteristic is illustrated in the figure below. Unlike other current-sense amplifiers that implement an OUT/SIGN arrangement, the TS1106 exhibits no "dead zone" at ILOAD switchover

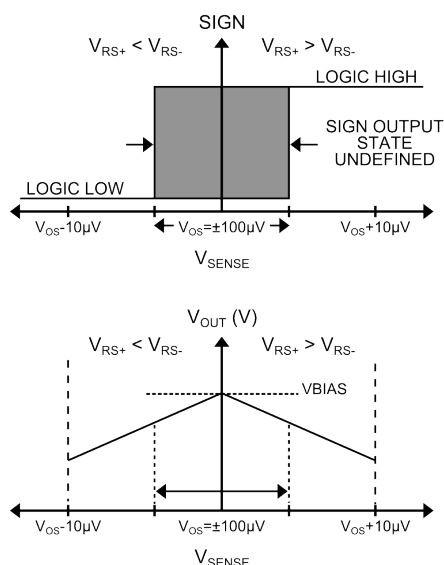


Figure 2.3. TS1106 Sign Output Transfer Characteristic

2.4 Selecting a Sense Resistor

Selecting the optimal value for the external R_{SENSE} is based on the following criteria, and commentary follows for each:

1. R_{SENSE} Voltage Loss
2. V_{OUT} Swing vs. Desired V_{SENSE} and Applied Supply Voltage at VDD
3. Total I_{LOAD} Accuracy
4. Circuit Efficiency and Power Dissipation
5. R_{SENSE} Kelvin Connections

2.4.1 R_{SENSE} Voltage Loss

For lowest IR power dissipation in R_{SENSE} , the smallest usable resistor value for R_{SENSE} should be selected.

2.4.2 V_{OUT} Swing vs. Desired V_{SENSE} and Applied Supply Voltage at VDD

Although the Current Sense Amplifier draws its power from the voltage at its $RS+$ and $RS-$ terminals, the signal voltage at the OUT terminal is provided by a buffer, and is therefore bounded by the buffer's output range. As shown in the Electrical Characteristics table, the CSA Buffer has a maximum and minimum output voltage of:

$$V_{OUT(max)} = V_{DD(min)} - 0.2V$$

$$V_{OUT(min)} = 0.2V$$

Therefore, the full-scale sense voltage should be chosen so that the OUT voltage is neither greater nor less than the maximum and minimum output voltage defined above. To satisfy this requirement, the full-scale sense voltage, $V_{SENSE(max)}$, should be chosen so that:

$$V_{SENSE(max)} < \frac{V_{BIAS} - V_{OUT(min)}}{GAIN}$$

For best performance, R_{SENSE} should be chosen so that the full-scale V_{SENSE} is less than ± 75 mV.

2.4.3 Total Load Current Accuracy

In the TS1105/06's linear region where $V_{OUT(min)} < V_{OUT} < V_{OUT(max)}$, there are two specifications related to the circuit's accuracy: a) the TS1105/06 CSA's input offset voltage ($V_{OS(max)} = 150 \mu V$), b) the TS1105/06 CSA's gain error ($GE_{(max)} = 1\%$). An expression for the TS1105/06's total error is given by:

$$V_{OUT} = V_{BIAS} + [GAIN \times (1 \pm GE) \times V_{SENSE}] \pm (GAIN \times V_{OS})$$

A large value for R_{SENSE} permits the use of smaller load currents to be measured more accurately because the effects of offset voltages are less significant when compared to larger V_{SENSE} voltages. Due care though should be exercised as previously mentioned with large values of R_{SENSE} .

2.4.4 Circuit Efficiency and Power Dissipation

IR losses in R_{SENSE} can be large especially at high load currents. It is important to select the smallest, usable R_{SENSE} value to minimize power dissipation and to keep the physical size of R_{SENSE} small. If the external R_{SENSE} is allowed to dissipate significant power, then its inherent temperature coefficient may alter its design center value, thereby reducing load current measurement accuracy. Precisely because the TS1105/06 CSA's input stage was designed to exhibit a very low input offset voltage, small R_{SENSE} values can be used to reduce power dissipation and minimize local hot spots on the pcb.

2.4.5 R_{SENSE} Kelvin Connections

For optimal V_{SENSE} accuracy in the presence of large load currents, parasitic pcb track resistance should be minimized. Kelvin-sense pcb connections between R_{SENSE} and the TS1105/06's $RS+$ and $RS-$ terminals are strongly recommended. The drawing below illustrates the connections between the current-sense amplifier and the current-sense resistor. The pcb layout should be balanced and symmetrical to minimize wiring-induced errors. In addition, the pcb layout for R_{SENSE} should include good thermal management techniques for optimal R_{SENSE} power dissipation.

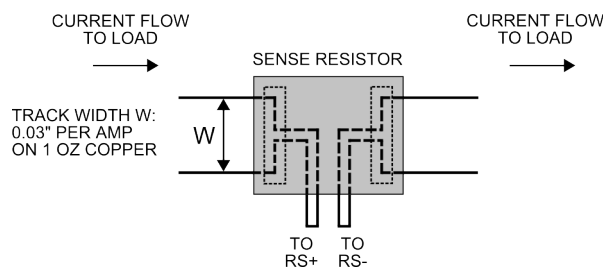


Figure 2.4. Making PCB Connections to R_{SENSE}

2.4.6 R_{SENSE} Composition

Current-shunt resistors are available in metal film, metal strip, and wire-wound constructions. Wire-wound current-shunt resistors are constructed with wire spirally wound onto a core. As a result, these types of current shunt resistors exhibit the largest self-inductance. In applications where the load current contains high-frequency transients, metal film or metal strip current sense resistors are recommended.

2.4.7 Internal Noise Filter

In power management and motor control applications, current-sense amplifiers are required to measure load currents accurately in the presence of both externally-generated differential and common-mode noise. An example of differential-mode noise that can appear at the inputs of a current-sense amplifier is high-frequency ripple. High-frequency ripple (whether injected into the circuit inductively or capacitively) can produce a differential-mode voltage drop across the external current-shunt resistor, R_{SENSE} . An example of externally-generated, common-mode noise is the high-frequency output ripple of a switching regulator that can result in common-mode noise injection into both inputs of a current-sense amplifier.

Even though the load current signal bandwidth is dc, the input stage of any current-sense amplifier can rectify unwanted, out-of-band noise that can result in an apparent error voltage at its output. Against common-mode injection noise, the current-sense amplifier's internal common-mode rejection ratio is 130 dB (typ).

To counter the effects of externally-injected noise, the TS1105-06 incorporates a 50 kHz (typ), 2nd-order differential low-pass filter as shown in the TS1105-06's block diagram, thereby eliminating the need for an external low-pass filter which can generate errors in the offset voltage and the gain error.

2.4.8 PC Board Layout and Power Supply Bypassing

For optimal circuit performance, the TS1105/06 should be in very close proximity to the external current-sense resistor and the pcb tracks from R_{SENSE} to the $RS+$ and the $RS-$ input terminals of the TS1105/06 should be short and symmetric. Also recommended are surface mount resistors and capacitors, as well as a ground plane.

3. Electrical Characteristics

Table 3.1. Recommended Operating Conditions¹

Parameter	Symbol	Conditions	Min	Typ	Max	Units
System Specifications						
Operating Voltage Range	VDD		1.7	—	5.25	V
Common-Mode Input Range	V _{CM}	V _{RS+} , Guaranteed by CMRR	2	—	27	V
Note:						
1. All devices 100% production tested at T _A = +25 °C. Limits over Temperature are guaranteed by design and characterization.						

Table 3.2. DC Characteristics¹

Parameter	Symbol	Conditions	Min	Typ	Max	Units
System Specifications						
No Load Input Supply Current	I _{RS+} + I _{RS-}	See Note 2	—	0.68	—	μA
		V _{RS+} = 25 V	—	—	1.2	μA
	I _{VDD}	See Note 2	—	0.76	1.3	μA
Current Sense Amplifier						
Common Mode Rejection Ratio	CMRR	2 V < V _{RS+} < 27 V	120	130	—	dB
Input Offset Voltage ³	V _{OS}	T _A = +25 °C	—	±30	±100	μV
		−40 °C < T _A < +85 °C	—	—	±200	μV
V _{OS} Hysteresis ⁴	V _{HYS}	T _A = +25 °C	—	10	—	μV
Gain	G	TS1105-20, TS1106-20	—	20	—	V/V
		TS1105-200, TS1106-200	—	200	—	V/V
Gain Error ⁵	GE	T _A = +25 °C	—	±0.1	±0.6	%
		−40 °C < T _A < +85 °C	—	—	±1	%
Gain Match ⁵	GM	T _A = +25 °C	—	±0.2	±0.6	%
		−40C < T _A < +85 °C	—	—	±1	%
Transfer Resistance	R _{OUT}	From FILT to OUT	28	40	52	kΩ
CSA Buffer						
Input Bias Current	I _{Buffer_BIAS}	−40C < T _A < +85 °C	—	0.3	—	nA
Input referred DC Offset	V _{Buffer_OS}		—	—	±2.5	mV
Offset Drift	TCV _{Buffer_OS}	−40 °C < T _A < +85 °C	—	0.6	—	μV/°C
Input Common Mode Range	V _{CM_Buffer}	−40 °C < T _A < +85 °C	0.2	—	VDD − 0.2	V
Output Range	V _{OUT(MIN, MAX)}	I _{OUT} = ±150 μA	0.2	—	VDD − 0.2	V

Parameter	Symbol	Conditions	Min	Typ	Max	Units
Sign Comparator Parameters (TS1106 Only)						
Output Low Voltage	V_{SIGN_OL}	$I_{SINK} = 35 \mu A$	—	—	0.2	V
Output High Voltage	V_{SIGN_OH}	$I_{SOURCE} = 35 \mu A$	$V_{DD} - 0.2$	—	—	V
Note:						
1. $RS+ = RS- = 3.6 V$, $V_{SENSE} = (V_{RS+} - V_{RS-}) = 0 V$, $V_{DD} = 3 V$, $V_{BIAS} = 1.5 V$. $T_A = T_J = -40^\circ C$ to $+85^\circ C$ unless otherwise noted. Typical values are at $T_A = +25^\circ C$.						
2. Extrapolated to $V_{OUT} = V_{FILT}$. $I_{RS+} + I_{RS-}$ is the total current into the $RS+$ and the $RS-$ pins.						
3. Input offset voltage V_{OS} is extrapolated from a $V_{OUT(+)}$ measurement with V_{SENSE} set to $+1 mV$ and a $V_{OUT(-)}$ measurement with V_{SENSE} set to $-1 mV$; Average $V_{OS} = (V_{OUT(-)} - V_{OUT(+)}) / (2 \times GAIN)$.						
4. Amplitude of V_{SENSE} lower or higher than V_{OS} required to cause the comparator to switch output states.						
5. Gain error is calculated by applying two values for V_{SENSE} and then calculating the error of the actual slope vs. the ideal transfer characteristic. TS1105 only applies positive V_{SENSE} values. For $GAIN = 20 V/V$, the applied V_{SENSE} for $GE \pm$ is $\pm 25 mV$ and $\pm 60 mV$. For $GAIN = 200 V/V$, the applied V_{SENSE} for $GE \pm$ is $\pm 2.5 mV$ and $\pm 6 mV$.						

Table 3.3. AC Characteristics¹

Parameter	Symbol	Conditions	Min	Typ	Max	Units
CSA Buffer						
Output Settling time	t_{OUT_s}	1% Final value, $V_{OUT} = 1.3 V$	Gain = 20 V/V	—	1.35	msec
Sign Comparator Parameters (TS1106 Only)						
Propagation Delay	t_{SIGN_PD}	$V_{SENSE} = \pm 1 mV$	—	3	—	msec
		$V_{SENSE} = \pm 10 mV$	—	0.4	—	msec
Note:						
1. $RS+ = RS- = 3.6 V$, $V_{SENSE} = (V_{RS+} - V_{RS-}) = 0 V$, $V_{DD} = 3 V$, $V_{BIAS} = 1.5 V$. $T_A = T_J = -40^\circ C$ to $+85^\circ C$ unless otherwise noted. Typical values are at $T_A = +25^\circ C$.						

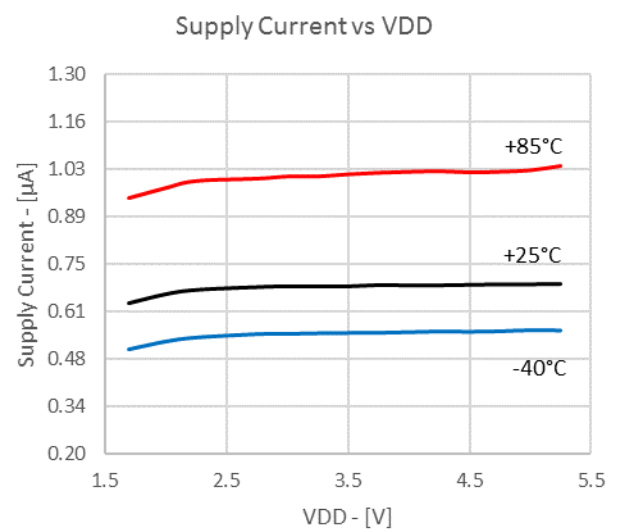
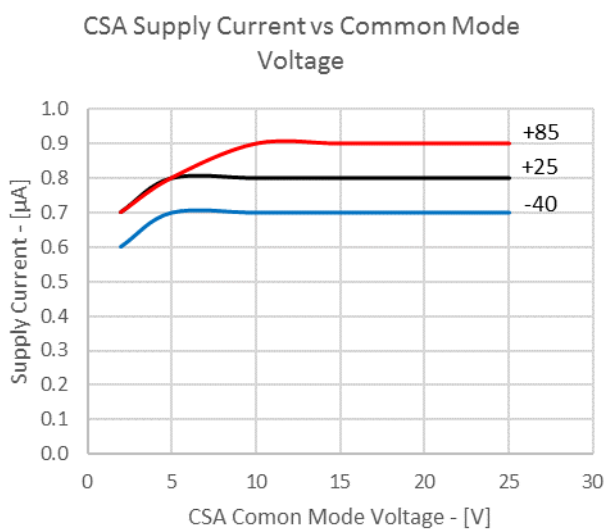
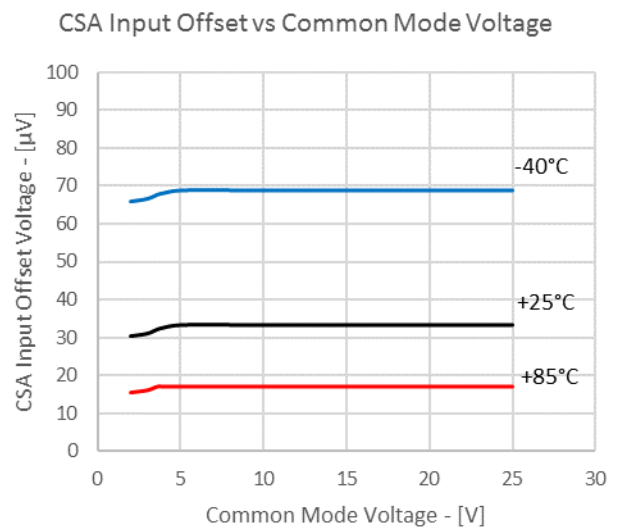
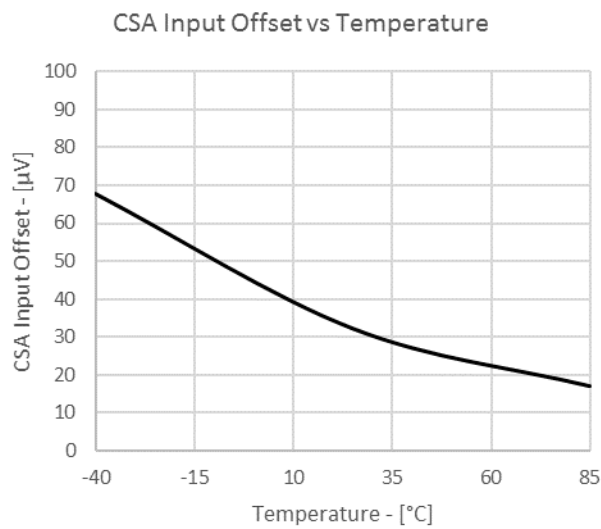
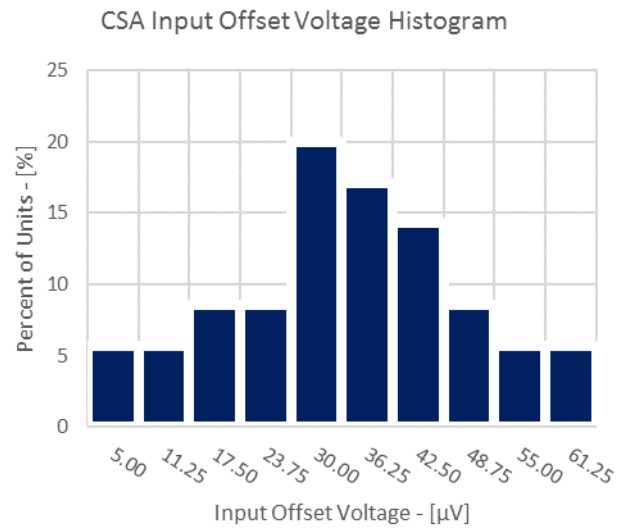
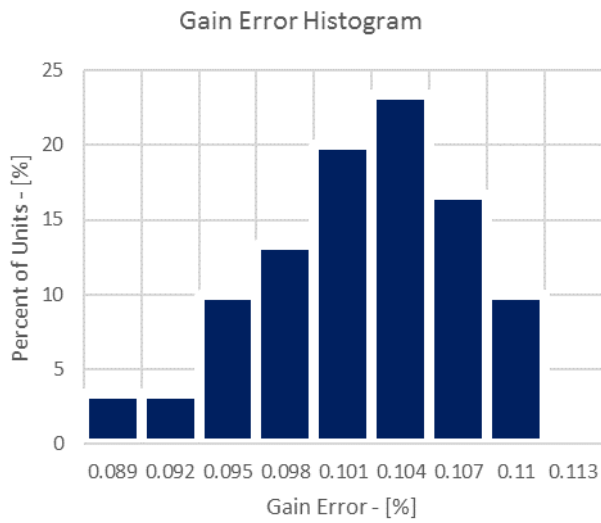
Table 3.4. Thermal Conditions

Parameter	Symbol	Conditions	Min	Typ	Max	Units
Operating Temperature Range	T_{OP}		-40	—	+85	$^\circ C$

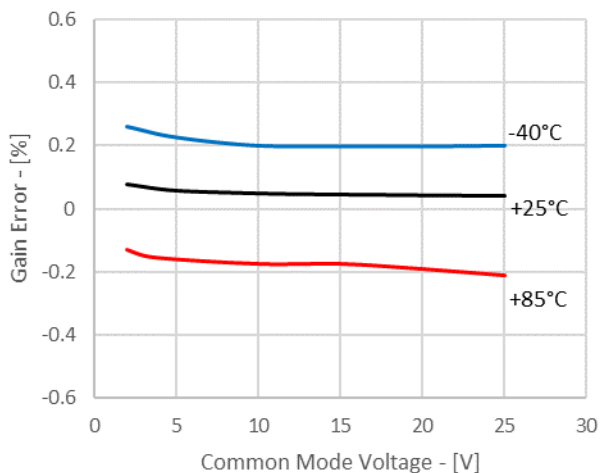
Table 3.5. Absolute Maximum Limits

Parameter	Symbol	Conditions	Min	Typ	Max	Units
RS+ Voltage	V_{RS+}		-0.3	—	27	V
RS- Voltage	V_{RS-}		-0.3	—	27	V
Supply Voltage	VDD		-0.3	—	6	V
OUT Voltage	V_{OUT}		-0.3	—	6	V
SIGN Voltage (TS1106 Only)	V_{SIGN}		-0.3	—	6	V
FILT Voltage	V_{FILT}		-0.3	—	6	V
VBIAS Voltage	V_{VBIAS}		-0.3	—	VDD + 0.3	V
RS+ to RS- Voltage	$V_{RS+} - V_{RS-}$		—	—	27	V
Short Circuit Duration: OUT to GND			—	—	Continuous	
Continuous Input Current (Any Pin)			-20	—	20	mA
Junction Temperature			—	—	150	°C
Storage Temperature Range			-65	—	150	°C
Lead Temperature (Soldering, 10 s)			—	—	300	°C
Soldering Temperature (Reflow)			—	—	260	°C
ESD Tolerance						
Human Body Model			—	—	2000	V
Machine Model			—	—	200	V

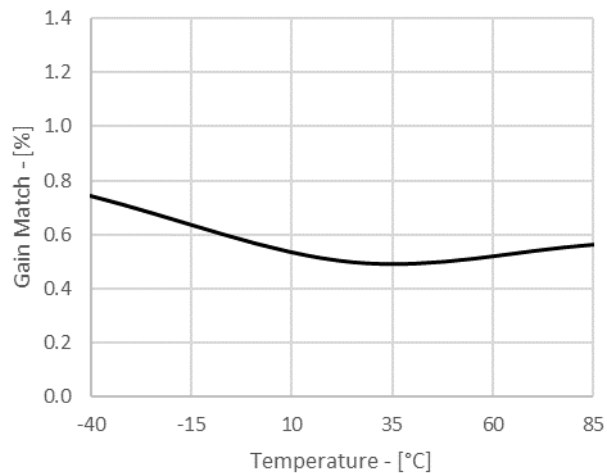
For the following graphs, $V_{RS+} = V_{RS-} = 3.6\text{ V}$; $V_{DD} = 3\text{ V}$; $V_{BIAS} = 1.5\text{ V}$, and $T_A = +25\text{ C}$ unless otherwise noted.



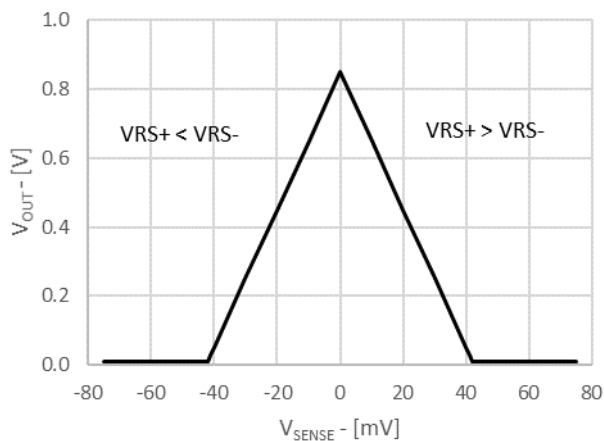
Gain Error vs Common Mode Voltage



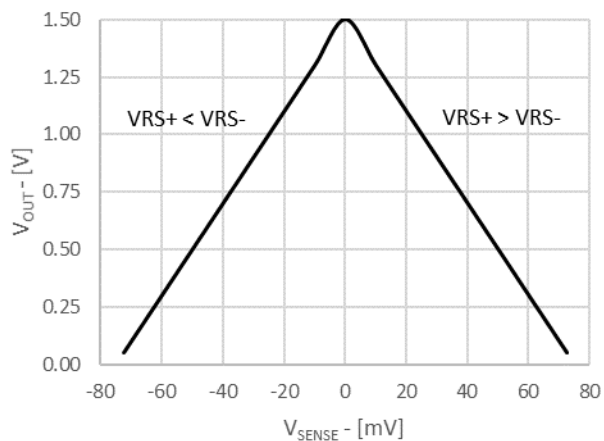
Gain Match vs Temperature



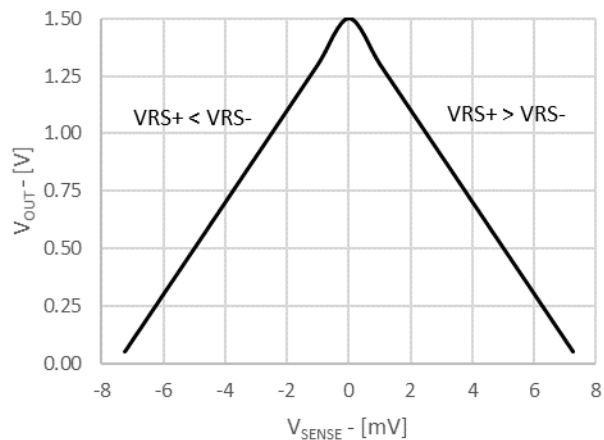
20V/V V_{OUT} vs V_{SENSE}
VDD=1.7V, VBIAS = 0.85V



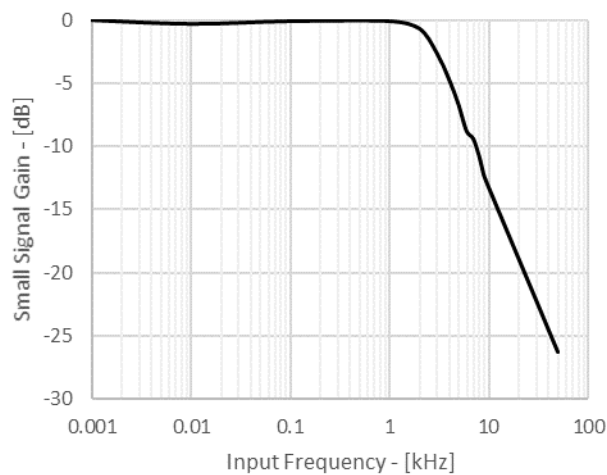
20V/V V_{OUT} vs V_{SENSE}
VDD = 3V, VBIAS=1.5V



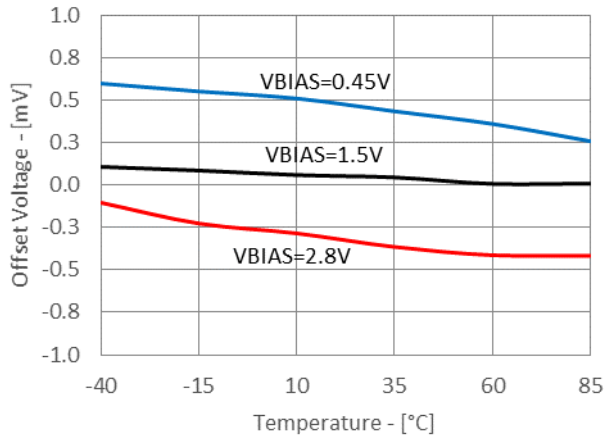
200V/V V_{OUT} vs V_{SENSE}
VDD=3V, VBIAS=1.5V



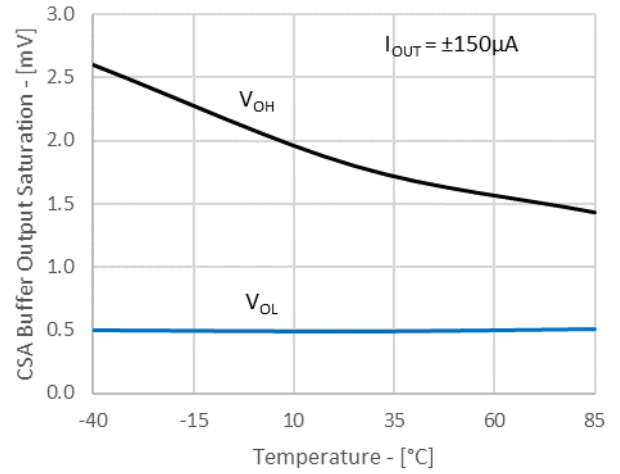
Small Signal Gain vs Input Frequency



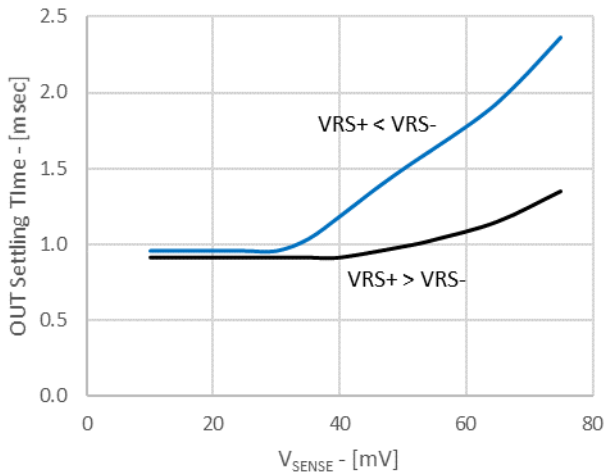
CSA Buffer Input Offset Voltage vs Temperature



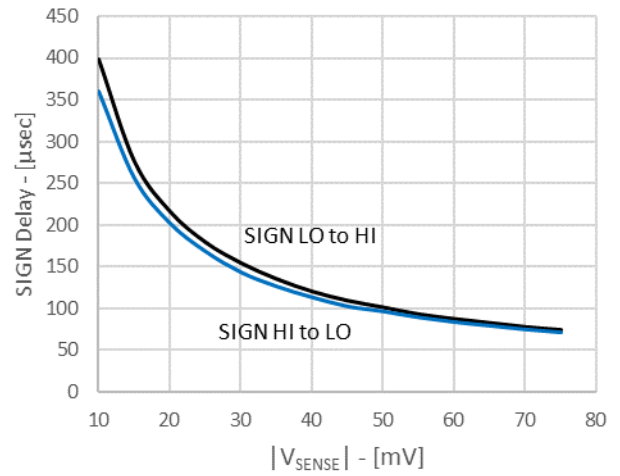
CSA Buffer Output Range



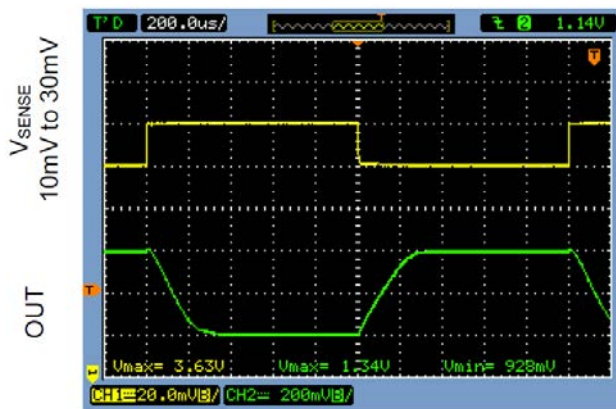
OUT Settling Time vs V_{SENSE}



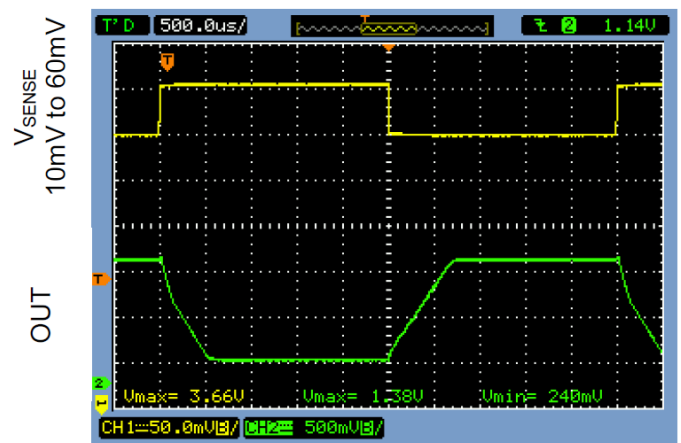
SIGN Delay vs V_{SENSE}



Small Signal Pulse Response



Large Signal Pulse Response



4. Typical Application Circuit

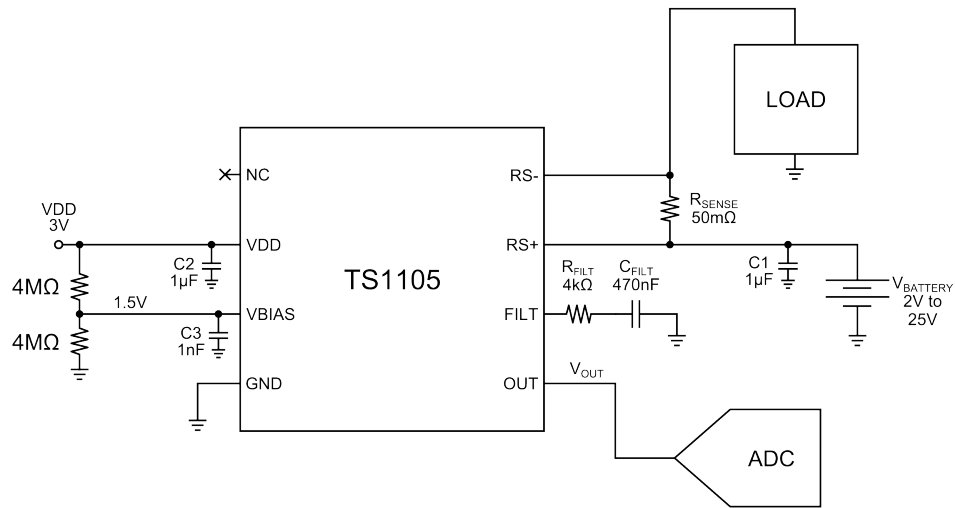


Figure 4.1. TS1105 Typical Application Circuit

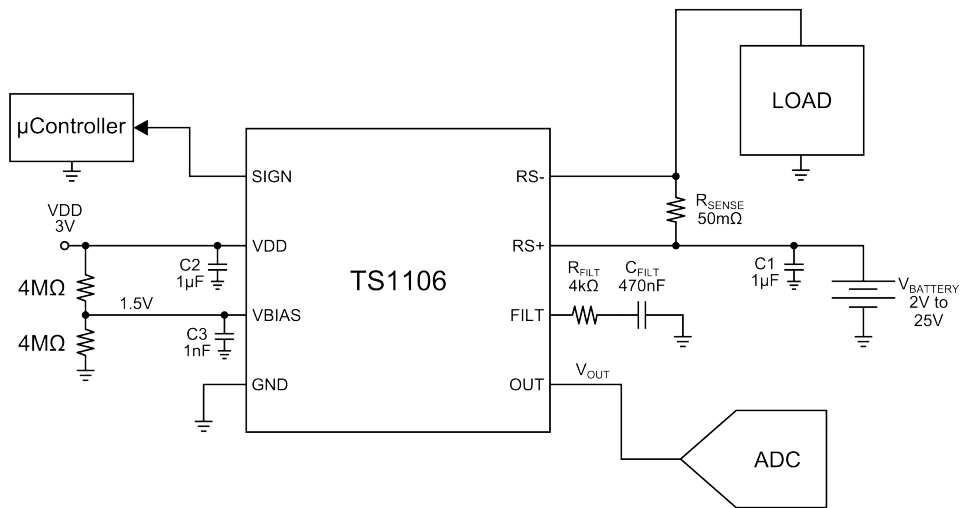


Figure 4.2. TS1106 Typical Application Circuit

5. Pin Descriptions

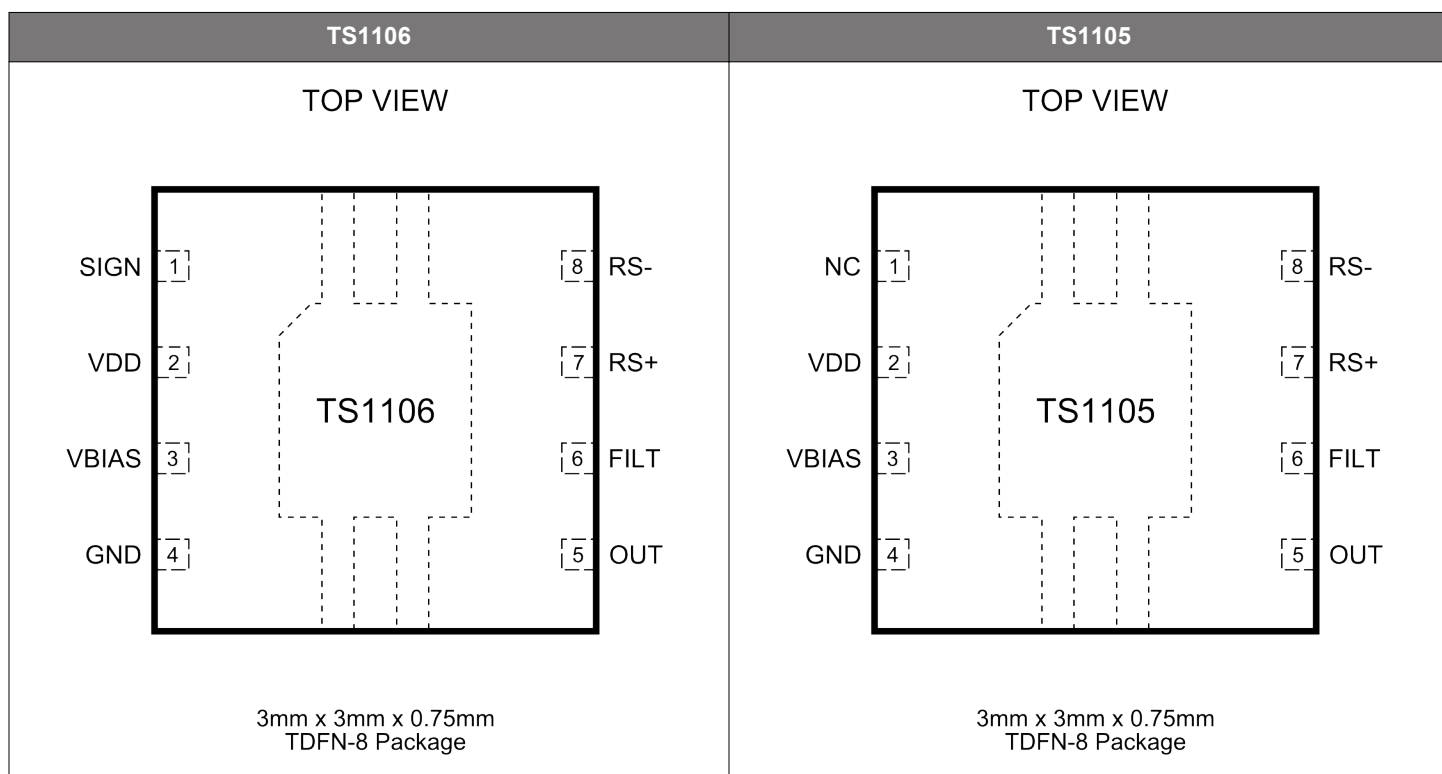


Table 5.1. Pin Descriptions

Pin	Label	Function	
1	SIGN	TS1106	Sign output. SIGN is HIGH for $V_{RS+} > V_{RS-}$ and LOW for $V_{RS-} > V_{RS+}$
	NC	TS1105	No connection. Leave open.
2	VDD	External power supply pin. Connect this to the system's VDD supply.	
3	VBIAS	Bias voltage for CSA output. When VREF is activated, leave open.	
4	GND	Ground. Connect to analog ground.	
5	OUT	CSA buffered output. Connect to CIN-.	
6	FILT	Inverting terminal of CSA Buffer. Connect a series RC Filter of 4 k Ω and 0.47 μ F; otherwise, leave open.	
7	RS+	External Sense Resistor Power-Side Connection	
8	RS-	External Sense Resistor Load-Side Connection	
Exposed Pad	EPAD	Exposed backside paddle. For best electrical and thermal performance, solder to analog ground.	

6. Packaging

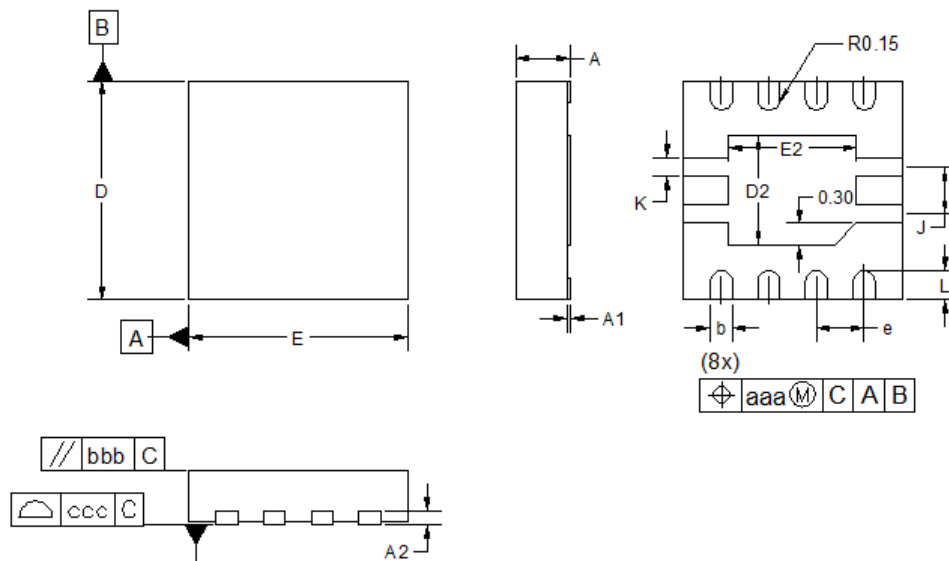


Figure 6.1. TS1105-06 3x3 mm 8-TDFN Package Diagram

Table 6.1. Package Dimensions

Dimension	Min	Nom	Max
A	0.70	0.75	0.80
A1	0.00	0.02	0.05
A2	0.20 REF		
b	0.25	0.30	0.35
D	3.00 BSC		
D2	1.49	1.50	1.51
e	0.65 BSC		
E	3.00 BSC		
E2	1.65	1.75	1.85
L	0.30	0.40	0.50
K	0.20	0.25	0.30
J	0.65 REF		
aaa	0.10		
bbb	0.05		
ccc	0.05		

Note:

1. All dimensions shown are in millimeters (mm) unless otherwise noted.
2. Dimensioning and Tolerancing per ANSI Y14.5M-1994.
3. Recommended card reflow profile is per the JEDEC/IPC J-STD-020 specification for Small Body Components.
4. This drawing conforms to the JEDEC Solid State Outline MO-229.

7. Top Marking

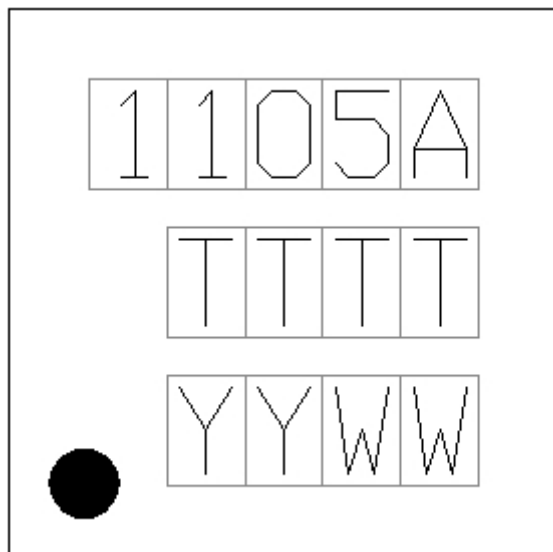
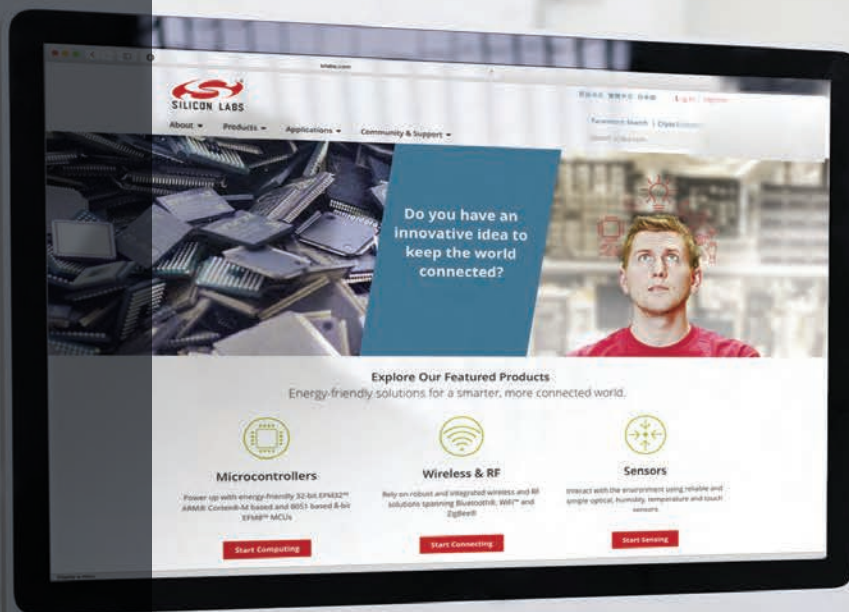


Figure 7.1. Top Marking

Table 7.1. Top Marking Explanation

Mark Method	Laser	
Pin 1 Mark:	Circle = 0.50 mm Diameter (lower left corner)	
Font Size:	0.50 mm (20 mils)	
Line 1 Mark Format:	Product ID	Note: A = 20 gain, B = 200 gain
Line 2 Mark Format:	TTTT – Mfg Code	Manufacturing code
Line 3 Mark Format:	YY = Year; WW = Work Week	Year and week of assembly

1. Ordering Information	1
2. System Overview	2
2.1 Functional Block Diagrams	2
2.2 Current Sense Amplifier + Output Buffer	3
2.3 Sign Output—TS1106 Only	4
2.4 Selecting a Sense Resistor	4
2.4.1 R_{SENSE} Voltage Loss	4
2.4.2 V_{OUT} Swing vs. Desired V_{SENSE} and Applied Supply Voltage at VDD	4
2.4.3 Total Load Current Accuracy	5
2.4.4 Circuit Efficiency and Power Dissipation	5
2.4.5 R_{SENSE} Kelvin Connections	5
2.4.6 R_{SENSE} Composition	5
2.4.7 Internal Noise Filter	5
2.4.8 PC Board Layout and Power Supply Bypassing	6
3. Electrical Characteristics	7
4. Typical Application Circuit	13
5. Pin Descriptions	14
6. Packaging	15
7. Top Marking	16



Smart.
Connected.
Energy-Friendly



Products
www.silabs.com/products



Quality
www.silabs.com/quality



Support and Community
community.silabs.com

Disclaimer

Silicon Laboratories intends to provide customers with the latest, accurate, and in-depth documentation of all peripherals and modules available for system and software implementers using or intending to use the Silicon Laboratories products. Characterization data, available modules and peripherals, memory sizes and memory addresses refer to each specific device, and "Typical" parameters provided can and do vary in different applications. Application examples described herein are for illustrative purposes only. Silicon Laboratories reserves the right to make changes without further notice and limitation to product information, specifications, and descriptions herein, and does not give warranties as to the accuracy or completeness of the included information. Silicon Laboratories shall have no liability for the consequences of use of the information supplied herein. This document does not imply or express copyright licenses granted hereunder to design or fabricate any integrated circuits. The products must not be used within any Life Support System without the specific written consent of Silicon Laboratories. A "Life Support System" is any product or system intended to support or sustain life and/or health, which, if it fails, can be reasonably expected to result in significant personal injury or death. Silicon Laboratories products are generally not intended for military applications. Silicon Laboratories products shall under no circumstances be used in weapons of mass destruction including (but not limited to) nuclear, biological or chemical weapons, or missiles capable of delivering such weapons.

Trademark Information

Silicon Laboratories Inc., Silicon Laboratories, Silicon Labs, SiLabs and the Silicon Labs logo, CMEMS®, EFM, EFM32, EFR, Energy Micro, Energy Micro logo and combinations thereof, "the world's most energy friendly microcontrollers", Ember®, EZLink®, EZMac®, EZRadio®, EZRadioPRO®, DSPLL®, ISOmodem®, Precision32®, ProSLIC®, SiPHY®, USBXpress® and others are trademarks or registered trademarks of Silicon Laboratories Inc. ARM, CORTEX, Cortex-M3 and THUMB are trademarks or registered trademarks of ARM Holdings. Keil is a registered trademark of ARM Limited. All other products or brand names mentioned herein are trademarks of their respective holders.



Silicon Laboratories Inc.
400 West Cesar Chavez
Austin, TX 78701
USA

<http://www.silabs.com>