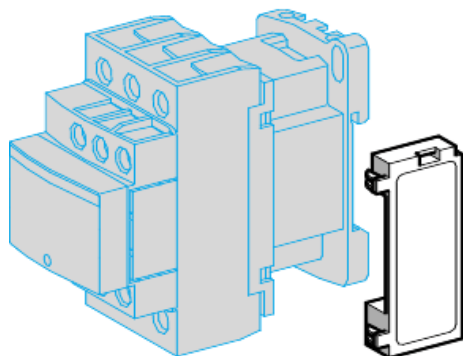




Price* : 11.07 GBP



Main

Range	TeSys
Device short name	LAD4
Product or component type	Suppressor module
Product compatibility	LC1D09...D38 (3P) LC1DT20...DT40 (4P) LC1D098...D258 (4P) CAD32, CAD50

Complementary

Mounting location	Side
Mounting mode	By clips
Suppressor technology	RC circuit
[Uc] control circuit voltage	110...250 V AC 50/60 Hz
Maximum peak voltage	3 Uc
Product weight	0.012 kg

Environment

Ambient air temperature for operation	-25...55 °C
Ambient air temperature for storage	-40...80 °C

Offer Sustainability

Sustainable offer status	Green Premium product
RoHS (date code: YYWW)	Compliant - since 0725 - Schneider Electric declaration of conformity Schneider Electric declaration of conformity
REACH	Reference not containing SVHC above the threshold Reference not containing SVHC above the threshold
Product environmental profile	Available Product environmental

Product end of life instructions	Need no specific recycling operations
----------------------------------	---------------------------------------

Contractual warranty

Warranty period	18 months
-----------------	-----------
