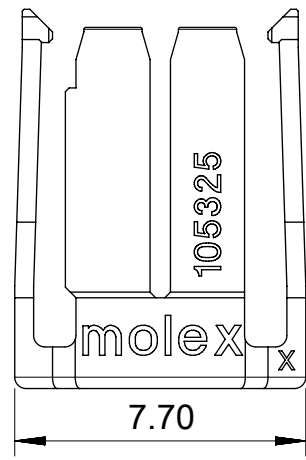


**NOTES:**

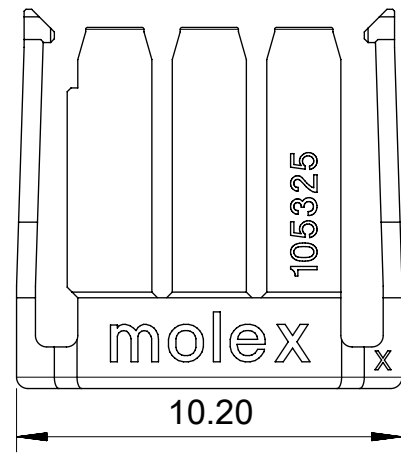
1. MATERIAL: PA4T, 30% GLASS FILLED, UL-94V-0.
2. PRODUCT SPECIFICATION: PS-105300-100.
3. PACKAGE SPECIFICATION: BAG, PK-105325-100.
4. THE COMPONENT COMPLIANT TO RoHS DIRECTIVE 2011/65/EU AND ELV DIRECTIVE 2000/53/EC.
5. PRODUCT MATES WITH SERIES OF 105307 AND 105308 (RECEPTACLE).
6. PARTS CONFORM TO CLASS 'B' REQUIREMENTS OF COSMETIC SPECIFICATION PS-45499-002.

THIS DRAWING CONTAINS INFORMATION THAT IS PROPRIETARY TO MOLEX ELECTRONIC TECHNOLOGIES, LLC AND SHOULD NOT BE USED WITHOUT WRITTEN PERMISSION											
<b>QUALITY SYMBOLS</b> 		EC NO: 103921 DRWN: GLLI CHK'D: AYIN REV: B APPR: AYIN		<b>GENERAL TOLERANCES (UNLESS SPECIFIED)</b> ANGULAR TOL ± 3.0 ° 4 PLACES ± 3 PLACES ± 0.1 2 PLACES ± 0.2 1 PLACE ± 0.3 0 PLACES ± DRAFT WHERE APPLICABLE MUST REMAIN WITHIN DIMENSIONS		DIMENSION UNITS: <b>MM</b> SCALE: <b>5:1</b> DRWN BY: <b>GLLI</b> DATE: <b>2014/12/12</b> CHK'D BY: DATE: APPR BY: <b>AYIN</b> DATE: <b>2015/08/24</b> DRAWING SIZE: <b>A3</b> THIRD ANGLE PROJECTION:		 <b>TPA OF NANO-FIT RECEPTACLE, POWER CONNECTOR</b> <b>PRODUCT CUSTOMER DRAWING</b>		SERIES: <b>105325</b> MATERIAL NUMBER: <b>SEE SHEET 2</b> CUSTOMER: <b>GENERAL MARKET</b> DOCUMENT NUMBER: <b>SD-105325-100</b> DOC TYPE: <b>PSD</b> DOC PART: <b>000</b> SHEET NUMBER: <b>1 OF 2</b>	

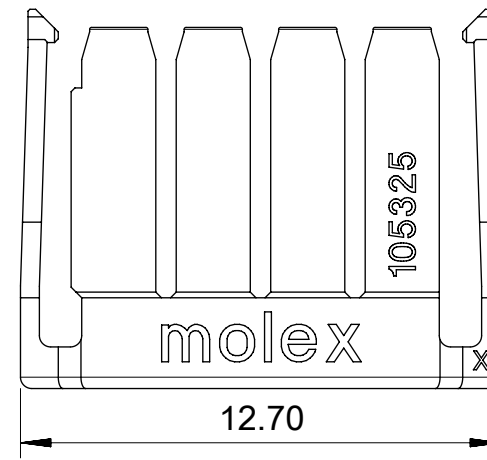
RELEASE STATUS	RELEASE DATE	07:07:27
----------------	--------------	----------



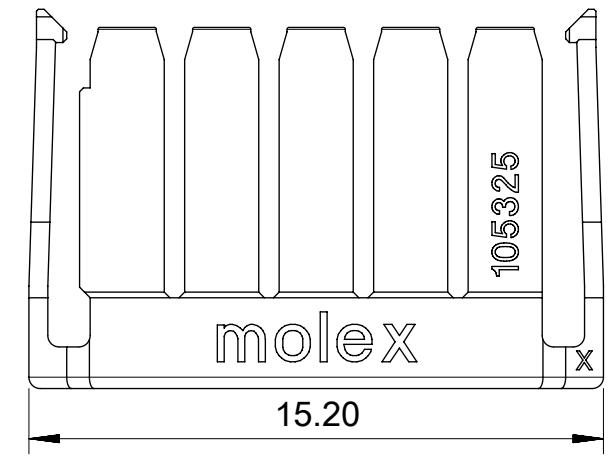
BLACK: 105325-1002  
NATURAL: 105325-2002



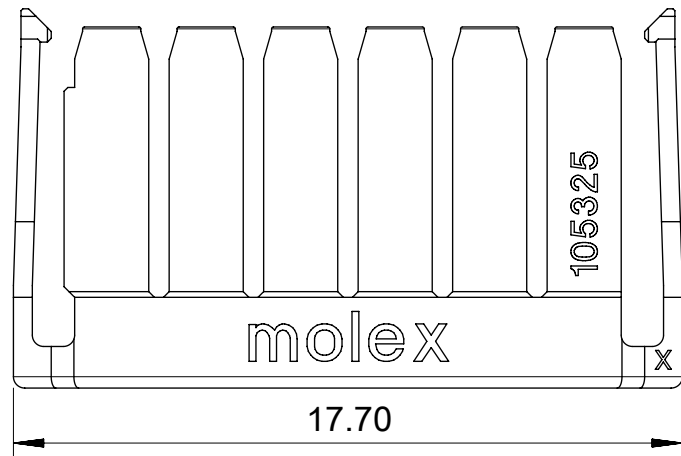
BLACK: 105325-1003  
NATURAL: 105325-2003



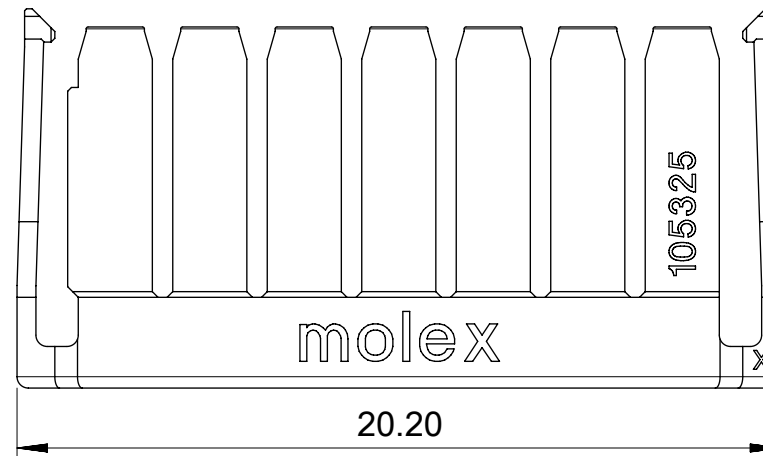
BLACK: 105325-1004  
NATURAL: 105325-2004



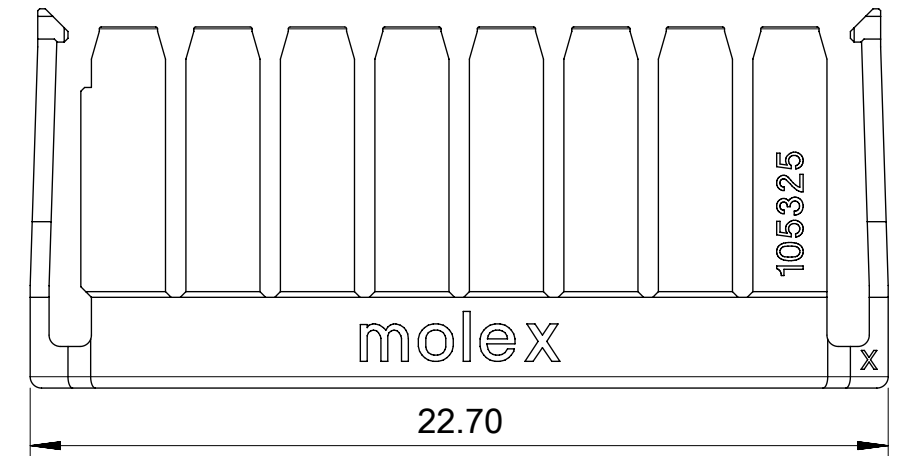
BLACK: 105325-1005  
NATURAL: 105325-2005



BLACK: 105325-1006  
NATURAL: 105325-2006



BLACK: 105325-1007  
NATURAL: 105325-2007



BLACK: 105325-1008  
NATURAL: 105325-2008

<b>QUALITY SYMBOLS</b> 	THIS DRAWING CONTAINS INFORMATION THAT IS PROPRIETARY TO MOLEX ELECTRONIC TECHNOLOGIES, LLC AND SHOULD NOT BE USED WITHOUT WRITTEN PERMISSION										
	EC NO: 103921 DRWN: GLLI CHK'D: AYIN REV: B APPR: AYIN	2016/03/30 2016/04/26		<b>GENERAL TOLERANCES (UNLESS SPECIFIED)</b> ANGULAR TOL ± 3.0 °			DIMENSION UNITS: <b>MM</b> SCALE: <b>5:1</b>				
		4 PLACES ±		DRWN BY: <b>GLLI</b> DATE: <b>2014/12/12</b>		<b>TPA OF NANO-FIT RECEPTACLE, POWER CONNECTOR</b>					
	3 PLACES ± 0.1		CHK'D BY: _____ DATE: _____		<b>PRODUCT CUSTOMER DRAWING</b>						
	2 PLACES ± 0.2		APPR BY: <b>AYIN</b> DATE: <b>2015/08/24</b>					SERIES: <b>105325</b>	MATERIAL NUMBER: <b>SEE REMARK</b>		CUSTOMER: <b>GENERAL MARKET</b>
	1 PLACE ± 0.3		DRAWING SIZE: <b>A3</b> THIRD ANGLE PROJECTION:		DOCUMENT NUMBER: <b>SD-105325-100</b>	DOC TYPE: <b>PSD</b>	DOC PART: <b>000</b>	SHEET NUMBER: <b>2 OF 2</b>			
	0 PLACES ±		DRAFT WHERE APPLICABLE MUST REMAIN WITHIN DIMENSIONS		RELEASE STATUS: <b>P1</b>	RELEASE DATE: <b>27.04.2016</b>	07:07:27				